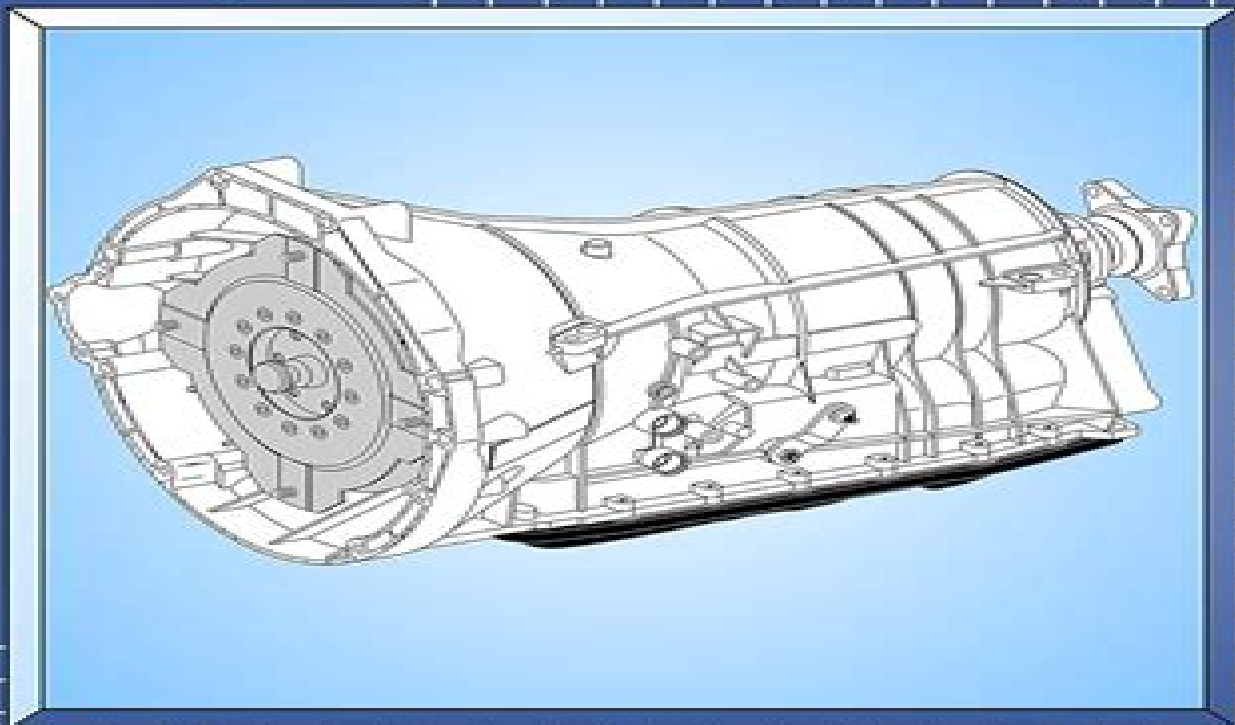




**FORD/LINCOLN/
MERCURY
TECHTRAN™ MANUAL**

**6
R
6
0
/
V
5
/
9
0**



AUTOMATIC TRANSMISSION SERVICE GROUP

6r60 Transmission Manual

Robert Bowen



6r60 Transmission Manual:

Automotive Automatic Transmission and Transaxles Keith Santini, Kirk Vangelder, 2017-05-18 Automotive Automatic Transmission and Transaxles published as part of the CDX Master Automotive Technician Series provides students with an in depth introduction to diagnosing repairing and rebuilding transmissions of all types Utilizing a strategy based diagnostics approach this book helps students master technical trouble shooting in order to address the problem correctly on the first attempt Outcome focused with clear objectives assessments and seamless coordination with task sheets Introduces transmission design and operation electronic controls torque converters gears and shafts reaction and friction units and manufacturer types Equips students with tried and true techniques for use with complex shop problems Combines the latest technology for computer controlled transmissions with traditional skills for hydraulic transmissions Filled with pictures and illustrations that aid comprehension as well as real world examples that put theory into practice Offers instructors an intuitive methodical course structure and helpful support tools With complete coverage of this specialized topic this book prepares students for MAST certification and the full range of transmission problems they will encounter afterward as a technician About CDX Master Automotive Technician Series Organized around the principles of outcome based education CDX offers a uniquely flexible and in depth program which aligns learning and assessments into one cohesive and adaptable learning system Used in conjunction with CDX MAST Online CDX prepares students for professional success with media rich integrated solutions The CDX Automotive MAST Series will cover all eight areas of ASE certification Automobile Trade Journal ,1937 *Transmission Repair Book Ford 1960 to 2007* Max Ellery, 2003-05-01 Automatic AOD BW 35 40 LE85 91 93 95 97 C4 C5 C6 C9 C10 FMX and M51 Manual 3 speed 4 speed and 5 speed single rail Top Loader T5 and M57 Step by step instructions for a pull down and rebuild Includes specifications torque settings problem diagnosis shift speeds plus more information This book is from an Australian publisher and covers both American and Australian applications **How To Rebuild and Modify Your Manual Transmission** Robert Bowen, This resource explains how to rebuild and modify transmissions from both rear and front wheel drive cars It explains the principles behind the workings of all manual transmissions and helps readers understand what they need to do and know to rebuild their own transmissions Includes how to determine what parts to replace how and why to replace certain seals spacers springs forks and other parts and where to find and how to measure the specifications for each particular transmission **How to Rebuild and Modify High-Performance Manual Transmissions** Paul Cangialosi, 2010 How to Rebuild and Modify High Performance Manual Transmissions breaks down the disassembly inspection modification upgrade and rebuilding process into detailed yet easy to follow steps consistent with our other Workbench series books The latest techniques and insider tips are revealed so an enthusiast can quickly perform a tear down identify worn parts select the best components and successfully assemble a high performance transmission Transmission expert and designer Paul Cangialosi shares his proven rebuilding methods insight

and 27 years of knowledge in the transmission industry He guides you through the rebuilding process for most major high performance transmissions including BorgWarner T10 and super T10 GM Muncie Ford Toploader and Tremec T5 This new edition also contains a complete step by step rebuild of the Chrysler A833 transmission

Lincoln and Mercury Automatic Transmission Manual Ford Motor Company. Lincoln-Mercury Division,1954

Motor's Automatic Transmission Manual Ralph Ritchen,1966

Automatic Transmissions H.M. Gousha Company,Chek-Chart,1978

Motor's Automatic Transmission Manual. 3rd Edition L. C. Forier (ed),1969

National Service Data Mitchell Manuals, inc,1975

Motor Automatic Transmission Manual. 6th Edition L. C. Forier (ed),1975

Hydra-matic Transmission Manual for Lincoln Cars ,1952

Automatic Transmission Manual Louis Forier,1971

1958 Edsel Automatic Transmission Manual Ford Motor Company. Edsel Division. Service Department,1957

National Service Data ,1960

Automatic transmission manual ,

1958 Edsel Transmission Manual Ford Motor Company,2020-05-10 This 1958 Edsel Transmission Manual is a high quality licensed PRINT reproduction of the service manual authored by Ford Motor Company and published by Detroit Iron This OEM factory manual is 8 5 x 11 inches paperback bound shrink wrapped and contains 80 pages of comprehensive mechanical instructions with detailed diagrams photos and specifications for Edsel transmissions Service repair manuals were originally written by the automotive manufacturer to be used by their dealership mechanics The following 1958 Edsel models are covered Citation Corsair Pacer Ranger Bermuda Roundup Villager This factory written Detroit Iron shop manual is perfect for the restorer or anyone working on one of these vehicles

C-4 Automatic Transmission Ford Motor Company. Parts and Service Division. Training and Publications Department,1971

The C6 Automatic Transmission Ford Motor Company,1970

Chilton's Automatic Transmission Manual Dean F. Morgantini,1980

Embark on a breathtaking journey through nature and adventure with Crafted by is mesmerizing ebook, **6r60 Transmission Manual** . This immersive experience, available for download in a PDF format (PDF Size: *), transports you to the heart of natural marvels and thrilling escapades. Download now and let the adventure begin!

https://forums.acdsystems.com/book/detail/Download_PDFS/2005_ford_explorer_trailer_wiring.pdf

Table of Contents 6r60 Transmission Manual

1. Understanding the eBook 6r60 Transmission Manual
 - The Rise of Digital Reading 6r60 Transmission Manual
 - Advantages of eBooks Over Traditional Books
2. Identifying 6r60 Transmission Manual
 - Exploring Different Genres
 - Considering Fiction vs. Non-Fiction
 - Determining Your Reading Goals
3. Choosing the Right eBook Platform
 - Popular eBook Platforms
 - Features to Look for in an 6r60 Transmission Manual
 - User-Friendly Interface
4. Exploring eBook Recommendations from 6r60 Transmission Manual
 - Personalized Recommendations
 - 6r60 Transmission Manual User Reviews and Ratings
 - 6r60 Transmission Manual and Bestseller Lists
5. Accessing 6r60 Transmission Manual Free and Paid eBooks
 - 6r60 Transmission Manual Public Domain eBooks
 - 6r60 Transmission Manual eBook Subscription Services
 - 6r60 Transmission Manual Budget-Friendly Options
6. Navigating 6r60 Transmission Manual eBook Formats

- ePub, PDF, MOBI, and More
- 6r60 Transmission Manual Compatibility with Devices
- 6r60 Transmission Manual Enhanced eBook Features
- 7. Enhancing Your Reading Experience
 - Adjustable Fonts and Text Sizes of 6r60 Transmission Manual
 - Highlighting and Note-Taking 6r60 Transmission Manual
 - Interactive Elements 6r60 Transmission Manual
- 8. Staying Engaged with 6r60 Transmission Manual
 - Joining Online Reading Communities
 - Participating in Virtual Book Clubs
 - Following Authors and Publishers 6r60 Transmission Manual
- 9. Balancing eBooks and Physical Books 6r60 Transmission Manual
 - Benefits of a Digital Library
 - Creating a Diverse Reading Collection 6r60 Transmission Manual
- 10. Overcoming Reading Challenges
 - Dealing with Digital Eye Strain
 - Minimizing Distractions
 - Managing Screen Time
- 11. Cultivating a Reading Routine 6r60 Transmission Manual
 - Setting Reading Goals 6r60 Transmission Manual
 - Carving Out Dedicated Reading Time
- 12. Sourcing Reliable Information of 6r60 Transmission Manual
 - Fact-Checking eBook Content of 6r60 Transmission Manual
 - Distinguishing Credible Sources
- 13. Promoting Lifelong Learning
 - Utilizing eBooks for Skill Development
 - Exploring Educational eBooks
- 14. Embracing eBook Trends
 - Integration of Multimedia Elements
 - Interactive and Gamified eBooks

6r60 Transmission Manual Introduction

6r60 Transmission Manual Offers over 60,000 free eBooks, including many classics that are in the public domain. Open Library: Provides access to over 1 million free eBooks, including classic literature and contemporary works. 6r60 Transmission Manual Offers a vast collection of books, some of which are available for free as PDF downloads, particularly older books in the public domain. 6r60 Transmission Manual : This website hosts a vast collection of scientific articles, books, and textbooks. While it operates in a legal gray area due to copyright issues, its a popular resource for finding various publications. Internet Archive for 6r60 Transmission Manual : Has an extensive collection of digital content, including books, articles, videos, and more. It has a massive library of free downloadable books. Free-eBooks 6r60 Transmission Manual Offers a diverse range of free eBooks across various genres. 6r60 Transmission Manual Focuses mainly on educational books, textbooks, and business books. It offers free PDF downloads for educational purposes. 6r60 Transmission Manual Provides a large selection of free eBooks in different genres, which are available for download in various formats, including PDF. Finding specific 6r60 Transmission Manual, especially related to 6r60 Transmission Manual, might be challenging as theyre often artistic creations rather than practical blueprints. However, you can explore the following steps to search for or create your own Online Searches: Look for websites, forums, or blogs dedicated to 6r60 Transmission Manual, Sometimes enthusiasts share their designs or concepts in PDF format. Books and Magazines Some 6r60 Transmission Manual books or magazines might include. Look for these in online stores or libraries. Remember that while 6r60 Transmission Manual, sharing copyrighted material without permission is not legal. Always ensure youre either creating your own or obtaining them from legitimate sources that allow sharing and downloading. Library Check if your local library offers eBook lending services. Many libraries have digital catalogs where you can borrow 6r60 Transmission Manual eBooks for free, including popular titles. Online Retailers: Websites like Amazon, Google Books, or Apple Books often sell eBooks. Sometimes, authors or publishers offer promotions or free periods for certain books. Authors Website Occasionally, authors provide excerpts or short stories for free on their websites. While this might not be the 6r60 Transmission Manual full book , it can give you a taste of the authors writing style. Subscription Services Platforms like Kindle Unlimited or Scribd offer subscription-based access to a wide range of 6r60 Transmission Manual eBooks, including some popular titles.

FAQs About 6r60 Transmission Manual Books

1. Where can I buy 6r60 Transmission Manual books? Bookstores: Physical bookstores like Barnes & Noble, Waterstones, and independent local stores. Online Retailers: Amazon, Book Depository, and various online bookstores offer a wide

- range of books in physical and digital formats.
2. What are the different book formats available? Hardcover: Sturdy and durable, usually more expensive. Paperback: Cheaper, lighter, and more portable than hardcovers. E-books: Digital books available for e-readers like Kindle or software like Apple Books, Kindle, and Google Play Books.
 3. How do I choose a 6r60 Transmission Manual book to read? Genres: Consider the genre you enjoy (fiction, non-fiction, mystery, sci-fi, etc.). Recommendations: Ask friends, join book clubs, or explore online reviews and recommendations. Author: If you like a particular author, you might enjoy more of their work.
 4. How do I take care of 6r60 Transmission Manual books? Storage: Keep them away from direct sunlight and in a dry environment. Handling: Avoid folding pages, use bookmarks, and handle them with clean hands. Cleaning: Gently dust the covers and pages occasionally.
 5. Can I borrow books without buying them? Public Libraries: Local libraries offer a wide range of books for borrowing. Book Swaps: Community book exchanges or online platforms where people exchange books.
 6. How can I track my reading progress or manage my book collection? Book Tracking Apps: Goodreads, LibraryThing, and Book Catalogue are popular apps for tracking your reading progress and managing book collections. Spreadsheets: You can create your own spreadsheet to track books read, ratings, and other details.
 7. What are 6r60 Transmission Manual audiobooks, and where can I find them? Audiobooks: Audio recordings of books, perfect for listening while commuting or multitasking. Platforms: Audible, LibriVox, and Google Play Books offer a wide selection of audiobooks.
 8. How do I support authors or the book industry? Buy Books: Purchase books from authors or independent bookstores. Reviews: Leave reviews on platforms like Goodreads or Amazon. Promotion: Share your favorite books on social media or recommend them to friends.
 9. Are there book clubs or reading communities I can join? Local Clubs: Check for local book clubs in libraries or community centers. Online Communities: Platforms like Goodreads have virtual book clubs and discussion groups.
 10. Can I read 6r60 Transmission Manual books for free? Public Domain Books: Many classic books are available for free as they're in the public domain. Free E-books: Some websites offer free e-books legally, like Project Gutenberg or Open Library.

Find 6r60 Transmission Manual :

2005 ford explorer trailer wiring

[2005 chevrolet cobalt owners manual](#)

2005 cadillac power seats wiring diagram

[2005 acura tsx pet pad manual](#)

[2005 ford mondeo service manual](#)

2005 chevrolet cavalier fuse diagram

2005 ford manual locking hubs

2005 acura tl washer reservoir manual

2005 ford e450 owners manual

~~2005 crossfire srt 6 chrysler zh original service manual~~

2005 acura tsx lateral link manual

[2005 audi a4 cv boot manual](#)

2005 chevy chevrolet avalanche owners manual

~~2005 dodge neon body parts user manual~~

[2005 expedition eddie bauer edition](#)

6r60 Transmission Manual :

brother mfcj6710dw manuals guides brother - May 16 2023

web support mfc j6710dw manuals downloads drivers download and install the latest drivers and software for your brother products view downloads faqs find the answers to our most frequently asked questions and troubleshooting here view faqs brother genuine supplies

downloads mfc j6710dw united states brother - Feb 13 2023

web downloads select your operating system os step 1 select os family windows mac linux mobile step 2 select os version windows 11 windows xp 32 bit windows 10 32 bit windows xp 64 bit windows 10 64 bit windows 2000 windows 8 1 32 bit windows server 2019 windows 8 1 64 bit windows server 2016 windows 8 32 bit

quick setup guide start here mfc j6510dw mfc j6710dw - Jun 05 2022

web 1 start here quick setup guide usa can version a mfc j6510dw mfc j6710dw please read safety and legal booklet first before you set up your machine then please read this quick setup guide for the correct setup and installation 1unpack the machine and check the components

brother mfc j6710dw manuals manualslib - Jul 18 2023

web brother mfc j6710dw manuals manuals and user guides for brother mfc j6710dw we have 18 brother mfc j6710dw

manuals available for free pdf download service manual user manual software user s manual guia basica del usuario basic user s manual advanced user s manual network user s manual quick setup manual guía

manuals mfc j6710dw others brother - Aug 19 2023

web manuals contact us product registration language user s guide setup guide network user s guide additional feature guide download and view the document in pdf format pdf documents require the installation of the adobe acrobat reader dc software

brother mfc j6710dw instructions manual pdf - Oct 09 2022

web view and download brother mfc j6710dw instructions manual online mfc j6710dw all in one printer pdf manual download also for mfc j6510dw

i cannot connect to the printer via wi fi direct using the brother - Apr 03 2022

web follow the steps below to allow the brother print service plugin access to nearby devices from the home screen of your android device tap settings apps brother print service plugin tap permissions nearby devices and select allow you can now print using the print button in android apps via wi fi direct

brother mfc j6710dw manuals guides brother uk - Sep 08 2022

web support mfcj6710dw manuals downloads drivers download and install the latest drivers and software for your brother products view downloads faqs find the answers to our most frequently asked questions and troubleshooting here view faqs brother genuine supplies

brother mfc j6510dw mfc j6710dw mfc j6910dw service manual - Jan 12 2023

web brother mfc j6510dw mfc j6710dw mfc j6910dw service manual 4 5 8 344 hidden pages unhide you can only view or download manuals with sign up and get 5 for free upload your files to the site you get 1 for each file you add get 1 for every time someone downloads your manual buy as many as you need

basic user s guide brother - Dec 11 2022

web if you need to call customer service please complete the following information for future reference model number mfc j6510dw and mfc j6710dw circle your model number

advanced user s guide brother - May 04 2022

web mfc j6510dw mfc j6710dw version 0 usa can i user s guides and where do i find it which manual what s in it where is it safety and legal read this guide first please read the safety instructions before you set up your machine remote setup pc fax and using the brother controlcenter utility pdf file documentation cd rom

advanced user s guide brother - Jul 06 2022

web advanced network features of brother machines along with explanations about general networking and common terms

pdf file documentation cd rom network user s guide this guide provides useful information about wired and wireless network settings and security settings using the brother machine you can also find supported protocol

where do i find manuals for my brother machine brother - Aug 07 2022

web where do i find manuals for my brother machine home singapore mfc j880dw faqs please contact brother customer service go to the contact us section related models mfc j415w mfc j430w mfc j470dw mfc j480dw mfc j491dw mfc j615w mfc j625dw mfc j650dw mfc j6510dw mfc j6710dw mfc j680dw mfc

user s guide manuals mfc j6710dw united states brother - Mar 14 2023

web user s guide setup guide network user s guide additional feature guide
basic user s guide brother - Nov 10 2022

web basic user s guide mfc j6510dw mfc j6710dw version b usa can if you need to call customer service please complete the following information for future reference model number mfc j6510dw and mfc j6710dw circle your

brother mfcj6710dw support - Apr 15 2023

web product details find official brother mfcj6710dw faqs videos manuals drivers and downloads here get the answers technical support and contact options you are looking for

brother mfcj6710dw manuals guides brother - Jun 17 2023

web find the brother mfcj6710dw manuals online view and download the user guide and setup guides for the brother mfcj6710dw

manuals mfc j6710dw united states brother - Sep 20 2023

web description release date version file size basic user s guide for learning the basic operations copy scan etc how to replace consumables and troubleshooting tips 05 17 2011 b download 6 92mb advanced user s guide for learning the advanced operations copy printing reports etc and routine maintenance 05 19 2011 0

brother mfc j6510dw service manual pdf download manualslib - Oct 21 2023

web view and download brother mfc j6510dw service manual online injet mfc mfc j6510dw all in one printer pdf manual download also for mfc j6710dw mfc j6910dw

manuals mfc j6710dw australia brother - Mar 02 2022

web user s guide for learning the basic operations copy scan etc how to replace consumables and troubleshooting tips for learning the advanced operations copy printing reports etc and routine maintenance for specific information about

el cielo estrellado spanish translator - Jul 02 2022

web many translated example sentences containing cielo estrellado english spanish dictionary and search engine for english translations

cielo estrellado traducción al inglés reverso context - Oct 05 2022

web 1 astron meteo sky el cielo está cubierto the sky is overcast o cloudy el cielo estaba despejado it was a cloudless o clear day a cielo abierto mina explotación opencast

spanish easy readers cielo estrellado level a2 - May 12 2023

web cielo estrellado a2 epub ebook mobi kindle compatible ebook pdf ebook a spanish easy reader juan works as an electrician for the municipality in a small spanish city

cielo estrellado spanish edition kindle edition amazon com au - Feb 09 2023

web cielo estrellado spanish edition ebook byler rebecca amazon com au kindle store

cielo estrellado spanish edition kindle edition amazon com - Aug 15 2023

web jun 12 2013 cielo estrellado es una novela llena de sorpresas donde se entrelazan la música la amistad la aventura las risas el amor y la traición una historia

traducción cielo estrellado al inglés reverso - Sep 04 2022

web translate cielo estrellado see spanish english translations with audio pronunciations examples and word by word explanations

cielo estrellado spanish edition bespoke cityam - Dec 07 2022

web may 30 2023 cielo estrellado spanish edition is available in our digital library an online access to it is set as public so you can get it instantly our books collection spans in

cielo estrellado spanish edition byler rebecca - Jun 13 2023

web jun 19 2013 cielo estrellado spanish edition byler rebecca on amazon com free shipping on qualifying offers cielo estrellado spanish edition

cielo estrellado english translation linguee - Jun 01 2022

web muchos ejemplos de oraciones traducidas contienen cielo estrellado diccionario inglés español y buscador de traducciones en inglés

amazon com customer reviews cielo estrellado spanish edition - Jul 14 2023

web find helpful customer reviews and review ratings for cielo estrellado spanish edition at amazon com read honest and unbiased product reviews from our users

spanish english parallel texts cielo estrellado level - Jan 08 2023

web cielo estrellado spanish edition cielo estrellado spanish edition el cielo los planetas y las estrellas en la cultura maya sobre el cielo y la tierra

cielo estrellado ardiendo como las estrellas spanish edition - Mar 10 2023

web cielo estrellado ardiendo como las estrellas spanish edition ebook montero jodra alba pizarro llano julio david amazon com au kindle store

cielo estrellado spanish edition uniport edu ng - Nov 06 2022

web el cielo estrellado sin embargo es más que solo bello the starry sky however is more than just beautiful este es el lugar perfecto para una cena romántica bajo un cielo

cielo estrellado traducción al inglés linguee - Apr 30 2022

web jan 7 2019 cielo estrellado ardiendo como las estrellas spanish edition montero jodra srta alba pizarro llano sr julio david on amazon com free shipping on

cielo estrellado ardiendo como las estrellas spanish edition - Mar 30 2022

cielo estrellado spanish edition kindle edition amazon in - Apr 11 2023

web cielo estrellado spanish edition ebook byler rebecca amazon in kindle store

cielo estrellado spanish translator - Aug 03 2022

web translate el cielo estrellado see spanish english translations with audio pronunciations examples and word by word explanations

protogoras stanford encyclopedia of philosophy - May 20 2023

sep 8 2020 protogoras 490 420 bce ca was one of the most important sophists and exerted considerable influence in fifth century intellectual debates his teaching had a practical and concrete goal and many of the surviving testimonies and fragments suggest that it was mainly devoted to the development of argumentative techniques

protogoras wikiwand - Jan 16 2023

protogoras yunanca Πρωταγόρας mÖ 481 mÖ 420 sofistlerin en önemli ve kurucu filozoflarındandır

protogoras sophist rhetorician atheist britannica - Dec 15 2022

protogoras thinker and teacher the first and most famous of the greek sophists protogoras spent most of his life at athens where he considerably influenced contemporary thought on moral and political questions plato named one of his dialogues after him protogoras taught as a sophist for more

protogoras wikipedia - Jul 22 2023

notable ideas sophist as teacher for hire man measure doctrine man is the measure of all things protogoras prəʊˈtæɡə,ræs greek Πρωταγόρας c 490 bc c 420 bc 1 was a pre socraticgreekphilosopherand rhetoricaltheorist he is numbered as one of the sophistsby plato in his dialogue protogoras plato credits

protogoras ve sofistlik sofist olarak protogoras felsefe - Mar 18 2023

nov 11 2019 sofistlerin ilklerinden ve de en ünlülerindendir protagoras atina nın büyük devlet adamı perikles in çevresinde olan düşünürlerden birisidir o da anaksagoras gibi tanrıları reddetmekle suçlanmıştır

protagoras kimdir felsefe hakkında her şey - Sep 24 2023

nov 11 2019 protagoras m Ö 481 ila m Ö 420 yılları arasında yaşamış antik yunan filozofudur protagoras sofistler isimli filozoflar grubunun en önemli ve kurucu filozoflarından abdera da doğan protagoras leukippos un öğrencisi olarak yetişmiştir yaşamının büyük bir bölümünü atina da geçirmiştir

protagoras kimdir Ünlü sofistin felsefesi ve etkileri - Jun 21 2023

oct 5 2023 bu düşünürlerden biri de protagoras tır meşhur sofist m Ö 490 420 yılları arasında yaşamıştır ve sofistlik hareketin önde gelen temsilcilerinden biridir sofistler bilgi ahlak retorik ve toplum üzerine odaklanan ve bu konularda eğitim veren gezgin öğretmenlerdi

protagoras in erdem ve ahlak anlayışı felsefe hakkında her şey - Apr 19 2023

nov 11 2019 protagoras erdemin herkesin belli ölçülerde elde edebileceği bir şey olması bakımından her insanın erdem ile ilgili konularda öğreniminin mümkün olduğunu belirtir Çünkü protagoras a göre ayıplanması gereken şeyleri yapan kişiler bu yaptıklarını başka türlü ayıplanmalarına gerek bırakmayacak biçimde

felsefe dünyası makale protagoras her Şeyin - Feb 17 2023

dec 13 2022 protagoras İyonya felsefesinin hükmettiği yani milletli doğa filozoflarıyla başlayan ve elea ekolüyle devam eden süreçte mitsel yaklaşımla köklü bir kopmanın yaşandığı bir atmosferde abdera da dünyaya gelir

protagoras vikipedi - Aug 23 2023

protagoras yunanca Πρωταγόρας mÖ 481 mÖ 420 sofistlerin en önemli ve kurucu filozoflarından hayatı m Ö 481 yılında yunanistan ın abdera şehrinde doğmuştur hayatının bir dö neminde atina ya taşındı ve orada perikles e danışmanlık yaptı perikles mÖ 444 te onu thurii sömürgesi için bir anayasa