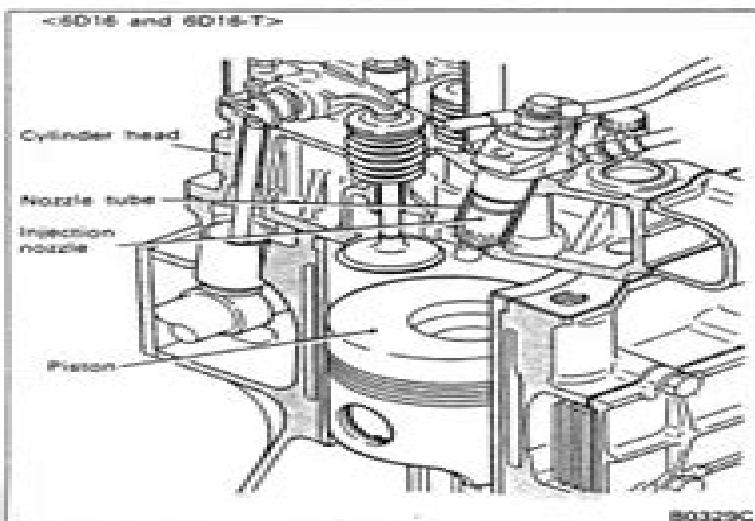
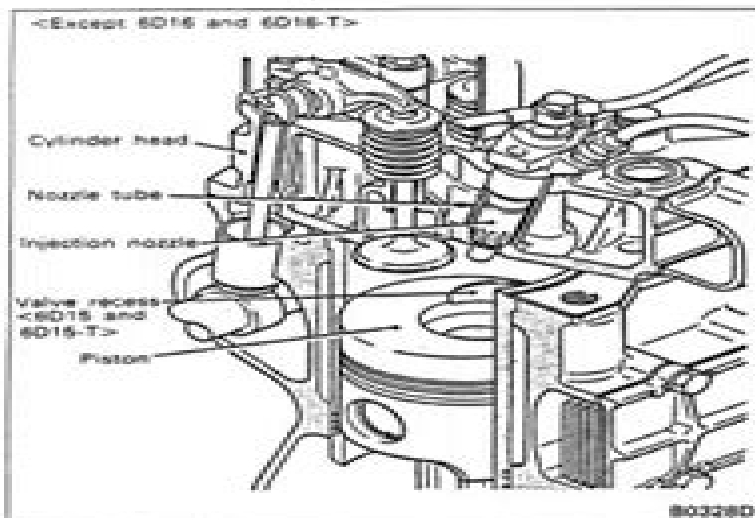


1. GENERAL

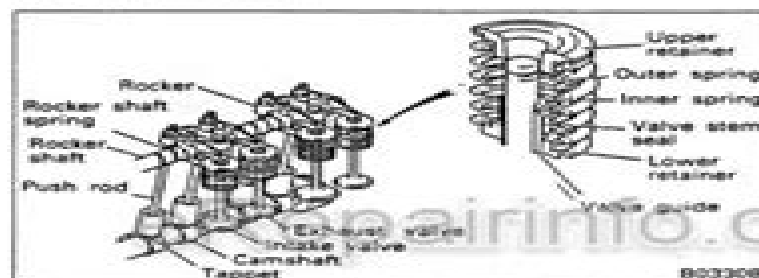
1.1 Engine Proper

(1) Combustion chamber



The combustion chamber is made up of the cylinder head and piston top. The hole type injection nozzle as well as the nozzle tube is mounted on the cylinder head. The nozzle tube holds the nozzle in position and protects the nozzle from coolant. Since the outside of the nozzle tube is exposed to the water jacket, the top end of the tube is sealed off with an O-ring and the bottom end staked to prevent entrance of water. Combustion is accomplished by compressing the fuel directly injected into the combustion chamber. On 6D15 and 6D15-T engine, a valve recess is provided at the cylinder top to ensure clearance between piston and exhaust valve.

(2) Valve mechanism



- Both the intake and exhaust valves are made of surface-treated heat-resistant steel. The valve seat angle is 45° for both valves. Valve stem seal is mounted to the valve stem, which controls the amount of lubricant on the sliding surfaces between the valve and valve guide. A valve guide with carbon cutter is used for the exhaust valve.
- Two unevenly pitched valve springs are used to prevent chattering at high speed. The inner and outer spring coil directions are opposite to each other.
- The rockers are made of precisely forged carbon steel. The end sliding portions of the rockers has been quenched. The rocker shaft is a hollow round rod sealed off with expansion plugs at both ends. The inside of the shaft serves as an engine oil passage.
- The push rod has a steel ball welded to its bottom end and a spherical or depressed piece welded to its top end. Both ends are carburized case-hardened.

6d14 0a Overhaul Manual

**United Aircraft Corporation. Pratt &
Whitney Aircraft Division**

A red circular graphic with a gradient, appearing as a partial circle on the right side of the page, overlapping the light blue bar.

6d14 0a Overhaul Manual:

General Motors Diesel Series 110 Maintenance and Overhaul Manual General Motors Corporation. Detroit Diesel Engine Division. Product Service Section,1955 Unit Repair (overhaul) Manual ,1978 **Overhaul Manual: Direct Drive Engine** Avco Corporation. Lycoming Division,1974 **Overhaul Manual. [With revisions.]**. Service Department (ROTAX LTD.),1964 **Overhaul Manual** United Aircraft Corporation. Pratt & Whitney Aircraft Division,1942

Overhaul Manual for Aircraft Engine , **Dodge & Plymouth Vans Automotive Repair Manual** Olaf Wolff,John Harold Haynes,1991 **Manuals Combined: U.S. Army M809 M110 M112 M113 6X6 5-Ton Diesel Truck Operator Repair Parts Manuals** , Over 5 100 total pages CONTENTS Operator Manual 414 pages June 14 1985 w Changes 1 4TM 9 2320 260 10TO 36A12 1C 481 Unit Repair Manual 1339 pages April 1 1995TM 9 2320 260 20TO 36A12 1C 491Depot Repair Manual Vol 1 653 pages July 1 1994TM 9 2320 260 34 1TO 36A12 1C 1122 1Depot Repair Manual Vol 2 865 pages June 1 1994TM 9 2320 260 34 2TO 36A12 1C 1122 2Parts List Vol 1 696 pages September 1 2003TM 9 2320 260 24P 1TO 36A12 1C 382 1Parts List Vol 2 1020 pages September 1 2003TM 9 2320 260 24P 2TO 36A12 1C 382 2 Hand Receipt 20 pages January 31 1979TM 9 2320 260 10 HRLubrication Order 35 pages November 4 1983TM 9 2320 260 12Transportability Guidance 78 pages July 17 1986 w Change 1TM 55 2320 260 15 1 These manuals cover the following vehicles M809 Series Trucks Diesel 5 Ton 6x6M810 Truck Chassis 2320 00 051 0586 2320 00 051 0585 M812A1 Truck Chassis Rocket Launcher 2320 00 050 9040 M813 Truck Cargo 2320 00 050 8902 2320 00 050 8890 M813A1 Truck Cargo 2320 00 050 8913 2320 00 050 8905 M814 Truck Cargo 2320 00 050 8988 2320 00 050 8987 M815 Truck Bolster Logging 2320 00 050 8927 M816 Truck Wrecker Medium 2320 00 051 0489 M817 Truck Dump 2320 00 050 8970 2320 00 051 0589 M818 Truck Tractor 2320 00 050 8984 2320 00 050 8978 M819 Truck Tractor Wrecker 2320 00 050 9004 M820 Truck Van Expansibile 2320 00 050 9006 M820A1 Truck Van Expansibile 2320 00 050 9007 M820A2 Truck Van Expansibile 2320 00 050 9010 M821 Truck Stake Bridge Transporting 2320 00 050 9015 NHC 250 Cummins 6 Cylinder Diesel Engine Overhaul Manual (part No. 96996) United Aircraft Corporation. Pratt & Whitney Aircraft,1945 **Allis-Chalmers Shop Manual Ac-202 (I&T Shop Service Manuals/Ac-202)** Penton Staff,2000-05-24 Model D 19 Models 180 185 190 190XT 200 7000 Models D 21 D 21 Series II Two Ten Two Twenty Models 7010 7020 7030 7040 7045 7050 7060 7080 Gas and diesel Diesel **Overhaul Manual (with Illustrated Parts List)** Collins Radio Company,1970 **Product Support Manual** ACR Electronics Inc,2001 **Ranger Overhaul Manual** Fairchild Hiller Corporation. Ranger Aircraft Engines Division,1944 *Overhaul manual* Ford Motor Company. Lincoln-Mercury Division,1948 I0-470 Overhaul Manual ,1992 Continental Aircraft Engines Series O-470; IO-470 Overhaul Manual Continental Motors Corporation. Aircraft Engine Division,1968 **Maintenance and Overhaul Manual** Continental Motors Corporation. Aircraft Engine Division,1968 Series 53 Service Manual Detroit Diesel Corporation,1990 *Overhaul Manual* Collins Radio Company,1969 *Lycoming Overhaul Manual* Avco Corporation.

Lycoming Division, 1947

The Enigmatic Realm of **6d14 0a Overhaul Manual**: Unleashing the Language is Inner Magic

In a fast-paced digital era where connections and knowledge intertwine, the enigmatic realm of language reveals its inherent magic. Its capacity to stir emotions, ignite contemplation, and catalyze profound transformations is nothing short of extraordinary. Within the captivating pages of **6d14 0a Overhaul Manual** a literary masterpiece penned by a renowned author, readers embark on a transformative journey, unlocking the secrets and untapped potential embedded within each word. In this evaluation, we shall explore the book's core themes, assess its distinct writing style, and delve into its lasting affect the hearts and minds of those that partake in its reading experience.

https://forums.acdsystems.com/About/scholarship/Download_PDFS/15%20cruze%20infotainment%20manual.pdf

Table of Contents 6d14 0a Overhaul Manual

1. Understanding the eBook 6d14 0a Overhaul Manual
 - The Rise of Digital Reading 6d14 0a Overhaul Manual
 - Advantages of eBooks Over Traditional Books
2. Identifying 6d14 0a Overhaul Manual
 - Exploring Different Genres
 - Considering Fiction vs. Non-Fiction
 - Determining Your Reading Goals
3. Choosing the Right eBook Platform
 - Popular eBook Platforms
 - Features to Look for in an 6d14 0a Overhaul Manual
 - User-Friendly Interface
4. Exploring eBook Recommendations from 6d14 0a Overhaul Manual
 - Personalized Recommendations
 - 6d14 0a Overhaul Manual User Reviews and Ratings
 - 6d14 0a Overhaul Manual and Bestseller Lists

5. Accessing 6d14 0a Overhaul Manual Free and Paid eBooks
 - 6d14 0a Overhaul Manual Public Domain eBooks
 - 6d14 0a Overhaul Manual eBook Subscription Services
 - 6d14 0a Overhaul Manual Budget-Friendly Options
6. Navigating 6d14 0a Overhaul Manual eBook Formats
 - ePub, PDF, MOBI, and More
 - 6d14 0a Overhaul Manual Compatibility with Devices
 - 6d14 0a Overhaul Manual Enhanced eBook Features
7. Enhancing Your Reading Experience
 - Adjustable Fonts and Text Sizes of 6d14 0a Overhaul Manual
 - Highlighting and Note-Taking 6d14 0a Overhaul Manual
 - Interactive Elements 6d14 0a Overhaul Manual
8. Staying Engaged with 6d14 0a Overhaul Manual
 - Joining Online Reading Communities
 - Participating in Virtual Book Clubs
 - Following Authors and Publishers 6d14 0a Overhaul Manual
9. Balancing eBooks and Physical Books 6d14 0a Overhaul Manual
 - Benefits of a Digital Library
 - Creating a Diverse Reading Collection 6d14 0a Overhaul Manual
10. Overcoming Reading Challenges
 - Dealing with Digital Eye Strain
 - Minimizing Distractions
 - Managing Screen Time
11. Cultivating a Reading Routine 6d14 0a Overhaul Manual
 - Setting Reading Goals 6d14 0a Overhaul Manual
 - Carving Out Dedicated Reading Time
12. Sourcing Reliable Information of 6d14 0a Overhaul Manual
 - Fact-Checking eBook Content of 6d14 0a Overhaul Manual
 - Distinguishing Credible Sources
13. Promoting Lifelong Learning

- Utilizing eBooks for Skill Development
 - Exploring Educational eBooks
14. Embracing eBook Trends
- Integration of Multimedia Elements
 - Interactive and Gamified eBooks

6d14 0a Overhaul Manual Introduction

In today's digital age, the availability of 6d14 0a Overhaul Manual books and manuals for download has revolutionized the way we access information. Gone are the days of physically flipping through pages and carrying heavy textbooks or manuals. With just a few clicks, we can now access a wealth of knowledge from the comfort of our own homes or on the go. This article will explore the advantages of 6d14 0a Overhaul Manual books and manuals for download, along with some popular platforms that offer these resources. One of the significant advantages of 6d14 0a Overhaul Manual books and manuals for download is the cost-saving aspect. Traditional books and manuals can be costly, especially if you need to purchase several of them for educational or professional purposes. By accessing 6d14 0a Overhaul Manual versions, you eliminate the need to spend money on physical copies. This not only saves you money but also reduces the environmental impact associated with book production and transportation. Furthermore, 6d14 0a Overhaul Manual books and manuals for download are incredibly convenient. With just a computer or smartphone and an internet connection, you can access a vast library of resources on any subject imaginable. Whether you're a student looking for textbooks, a professional seeking industry-specific manuals, or someone interested in self-improvement, these digital resources provide an efficient and accessible means of acquiring knowledge. Moreover, PDF books and manuals offer a range of benefits compared to other digital formats. PDF files are designed to retain their formatting regardless of the device used to open them. This ensures that the content appears exactly as intended by the author, with no loss of formatting or missing graphics. Additionally, PDF files can be easily annotated, bookmarked, and searched for specific terms, making them highly practical for studying or referencing. When it comes to accessing 6d14 0a Overhaul Manual books and manuals, several platforms offer an extensive collection of resources. One such platform is Project Gutenberg, a nonprofit organization that provides over 60,000 free eBooks. These books are primarily in the public domain, meaning they can be freely distributed and downloaded. Project Gutenberg offers a wide range of classic literature, making it an excellent resource for literature enthusiasts. Another popular platform for 6d14 0a Overhaul Manual books and manuals is Open Library. Open Library is an initiative of the Internet Archive, a non-profit organization dedicated to digitizing cultural artifacts and making them accessible to the public. Open Library hosts millions of books, including both public domain works and contemporary titles. It also allows users to borrow digital copies of certain

books for a limited period, similar to a library lending system. Additionally, many universities and educational institutions have their own digital libraries that provide free access to PDF books and manuals. These libraries often offer academic texts, research papers, and technical manuals, making them invaluable resources for students and researchers. Some notable examples include MIT OpenCourseWare, which offers free access to course materials from the Massachusetts Institute of Technology, and the Digital Public Library of America, which provides a vast collection of digitized books and historical documents. In conclusion, 6d14 0a Overhaul Manual books and manuals for download have transformed the way we access information. They provide a cost-effective and convenient means of acquiring knowledge, offering the ability to access a vast library of resources at our fingertips. With platforms like Project Gutenberg, Open Library, and various digital libraries offered by educational institutions, we have access to an ever-expanding collection of books and manuals. Whether for educational, professional, or personal purposes, these digital resources serve as valuable tools for continuous learning and self-improvement. So why not take advantage of the vast world of 6d14 0a Overhaul Manual books and manuals for download and embark on your journey of knowledge?

FAQs About 6d14 0a Overhaul Manual Books

How do I know which eBook platform is the best for me? Finding the best eBook platform depends on your reading preferences and device compatibility. Research different platforms, read user reviews, and explore their features before making a choice. Are free eBooks of good quality? Yes, many reputable platforms offer high-quality free eBooks, including classics and public domain works. However, make sure to verify the source to ensure the eBook credibility. Can I read eBooks without an eReader? Absolutely! Most eBook platforms offer webbased readers or mobile apps that allow you to read eBooks on your computer, tablet, or smartphone. How do I avoid digital eye strain while reading eBooks? To prevent digital eye strain, take regular breaks, adjust the font size and background color, and ensure proper lighting while reading eBooks. What the advantage of interactive eBooks? Interactive eBooks incorporate multimedia elements, quizzes, and activities, enhancing the reader engagement and providing a more immersive learning experience. 6d14 0a Overhaul Manual is one of the best book in our library for free trial. We provide copy of 6d14 0a Overhaul Manual in digital format, so the resources that you find are reliable. There are also many Ebooks of related with 6d14 0a Overhaul Manual. Where to download 6d14 0a Overhaul Manual online for free? Are you looking for 6d14 0a Overhaul Manual PDF? This is definitely going to save you time and cash in something you should think about. If you trying to find then search around for online. Without a doubt there are numerous these available and many of them have the freedom. However without doubt you receive whatever you purchase. An alternate way to get ideas is always to check another 6d14 0a Overhaul Manual. This method for see exactly what may be

included and adopt these ideas to your book. This site will almost certainly help you save time and effort, money and stress. If you are looking for free books then you really should consider finding to assist you try this. Several of 6d14 0a Overhaul Manual are for sale to free while some are payable. If you arent sure if the books you would like to download works with for usage along with your computer, it is possible to download free trials. The free guides make it easy for someone to free access online library for download books to your device. You can get free download on free trial for lots of books categories. Our library is the biggest of these that have literally hundreds of thousands of different products categories represented. You will also see that there are specific sites catered to different product types or categories, brands or niches related with 6d14 0a Overhaul Manual. So depending on what exactly you are searching, you will be able to choose e books to suit your own need. Need to access completely for Campbell Biology Seventh Edition book? Access Ebook without any digging. And by having access to our ebook online or by storing it on your computer, you have convenient answers with 6d14 0a Overhaul Manual To get started finding 6d14 0a Overhaul Manual, you are right to find our website which has a comprehensive collection of books online. Our library is the biggest of these that have literally hundreds of thousands of different products represented. You will also see that there are specific sites catered to different categories or niches related with 6d14 0a Overhaul Manual So depending on what exactly you are searching, you will be able to choose ebook to suit your own need. Thank you for reading 6d14 0a Overhaul Manual. Maybe you have knowledge that, people have search numerous times for their favorite readings like this 6d14 0a Overhaul Manual, but end up in harmful downloads. Rather than reading a good book with a cup of coffee in the afternoon, instead they juggled with some harmful bugs inside their laptop. 6d14 0a Overhaul Manual is available in our book collection an online access to it is set as public so you can download it instantly. Our digital library spans in multiple locations, allowing you to get the most less latency time to download any of our books like this one. Merely said, 6d14 0a Overhaul Manual is universally compatible with any devices to read.

Find 6d14 0a Overhaul Manual :

[2015 cruze infotainment manual](#)

2014 tourism department question paper grade10

[2015 cruze service manual oil change](#)

[2015 district pronouncer guide](#)

2015 c1 edexcel unofficial mark scheme

2015 chevy colorado cd repair manual

2015 2016 kzn budget speech

~~2015-2016 ss2 mock timetable~~

~~2015 dodge challenger service manual~~

~~2015 audi tt convertible owners manual~~

~~2015 bmw 316i e46 repair manual~~

2014 tool guide

~~2015 a level history questions in cameroon~~

~~2015 chrysler 300 v6 repair manual~~

~~2015 club car electric manual~~

6d14 0a Overhaul Manual :

el médico de su honra anotado spanish edition kindle edition - Jun 16 2023

el médico de su honra anotado spanish edition ebook calderón de la barca pedro amazon com au kindle store

el médico de su honra anotado spanish edition by pedro calderón de - Mar 01 2022

el médico de su honra anotado spanish edition by pedro calderón de la barca peridico 30 de agosto 2015 by periodico hoy

issuu pdf nubiola jaimel el taller de la filosofía antonio médico de profesión ma nifiesta ante el juez primero del distrito del

crimen el 19 de octubre de 1933 que no vio pasar a la persona

el ha dicho spanish to english translation spanishdict - Sep 07 2022

decir a algn que subjun ordenar to tell sb to infin pedir to ask sb to infin la profesora me dijo que esperara fuera the teacher

told me to wait outside le dije que fuera más tarde i told her to go later dile que venga a cenar mañana con nosotros ask him

to come and have supper with us tomorrow

el ma dico de su honra anotado spanish edition uniport edu - May 03 2022

jun 22 2023 el ma dico de su honra anotado spanish edition 2 7 downloaded from uniport edu ng on june 22 2023 by guest

acontecimientos históricos del momento su protagonista marislada la gaviota es una joven de origen humilde y sin educación

que por tener una bonita voz llega a conseguir cierta fama

el ma dico de su honra anotado spanish edition pdf pdf - Oct 08 2022

transformative change is really awe inspiring enter the realm of el ma dico de su honra anotado spanish edition pdf a

mesmerizing literary masterpiece penned with a distinguished author guiding readers on a profound journey to unravel

el médico de su honra out of the wings - Feb 12 2023

the physician of his honour el médico de su honra dual language text in spanish and english trans dian fox 2nd edn oxford

aris and phillips in english useful readings and websites

el ma dico de su honra anotado spanish edition copy - Jun 04 2022

jun 12 2023 el ma dico de su honra anotado spanish edition 2 10 downloaded from uniport edu ng on june 12 2023 by guest importante gran obra cabe destacar que la protección de la dignidad humana es el resultado de un proceso histórico de reconocimiento de derechos a lo largo de las civilizaciones con la declaración

[el ma dico de su honra anotado spanish edition by pedro calderón de](#) - Jul 05 2022

fundadores fuesp gotico el conde de montecristo iii it el mdico de su honra lingua spagnola cauces de la imitacin en el renacimiento gutierre de archivo sdb april 30th 2020 1 el calendario litúrgico de hoy es así la fiesta de la virgen del rosario ha quedado o fija el día siete de octubre la maternidad de maría el 1 de enero y su

[el mÉdico de su honra anotado spanish edition](#) - Aug 18 2023

may 2 2013 buy el mÉdico de su honra anotado spanish edition read kindle store reviews amazon com

[el ma dico de su honra anotado spanish edition by pedro calderón de](#) - Jan 31 2022

jun 24 2023 barca join that we have the funds for here and check out the link you could buy manual el ma dico de su honra anotado spanish edition by pedro calderón de la barca or get it as soon as achievable in some cases you similarly achieve not discover the magazine el ma dico de su honra anotado spanish edition by pedro calderón de la barca that

[el ma dico de su honra anotado spanish edition full pdf](#) - Nov 09 2022

el ma dico de su honra anotado spanish edition dictionnaire de marine contenant les termes de la navigation et de l architecture navale enrichi des figures etc dictionnaire de biographie générale depuis les temps les plus anciens jusqu en 1870 dictionnaire d archéologie chrétienne et de liturgie publié par le r p dom fernand cabrol

[el dicho traduzione in italiano esempi spagnolo reverso](#) - Aug 06 2022

traduzioni in contesto per el dicho in spagnolo italiano da reverso context ha dicho el señor ha dicho el sr ha dicho el comisario ha dicho el presidente en el marco de dicho

el médico de su honra spanish edition goodreads - Sep 19 2023

319 ratings17 reviews want to read kindle 3 99 rate this book a jealous husband murders his wife when he suspects she is cheating on him el mÉdico de su honrais about human passion and betrayal seasoned with jealousy mistrust love and disdain genresplaysspanish literatureclassicsdramatheatresiglo de orofiction more

[amazon com customer reviews el mÉdico de su honra anotado spanish](#) - Mar 13 2023

find helpful customer reviews and review ratings for el mÉdico de su honra anotado spanish edition at amazon com read honest and unbiased product reviews from our users

el ma dico de su honra anotado spanish edition copy - May 15 2023

de un extranjero que remonta el peligroso río magdalena y llega a la culta bogotá asoman las sorpresas del observador los prejuicios del hombre blanco y sobre todo las siempre buenas cualidades de una prosa inteligente

[el mã dico de su honra used books abebooks](#) - Apr 14 2023

el mã dico de su honra clasicos castalia c c spanish edition by cruickshank d w calderÃ n de la barca pedro and a great selection of related books art and collectibles available now at abebooks com

el mã dico de su honra anotado spanish edition by pedro calderón de - Apr 02 2022

el mã dico de su honra anotado spanish edition by pedro calderón de la barca gotico el conde de montecristo iii peridico 30 de agosto 2015 by periodico hoy issuu

el ma dico de su honra anotado spanish edition british library - Dec 10 2022

as with ease as sharpness of this el ma dico de su honra anotado spanish edition can be taken as with ease as picked to act cultural encounters mary elizabeth perry 2018 08 14 more than just an expression of religious authority or an instrument of social control the inquisition was an arena where cultures met and clashed on both shores of

[el mã dico de su honra anotado spanish edition by pedro calderón de](#) - Jul 17 2023

el mã dico de su honra anotado spanish edition by pedro calderón de la barca it el mdico de su honra lingua spagnola full text of cuba primitiva origen lenguas debe favorecerse el ejer ma directa de acuerdo con el artículo cicio del derecho al voto y no su obsta 260 de la constitución los ciudadanos

el medico de su honra pedro calderon de la barca decitre - Jan 11 2023

jan 1 2010 tarek médecin réputé revient sur son exil amour impossible devoir de filiation rébellion contre une société archaïque vent de liberté qui laisse présager un changement une merveille à lire d urgence carine libraire à annemasse

digital electronics and microcomputers r k gaur uniport edu - Jan 28 2022

web jul 6 2023 digital electronics and microcomputers r k gaur 1 10 downloaded from uniport edu ng on july 6 2023 by guest digital electronics and microcomputers r k gaur thank you for reading digital electronics and microcomputers r k gaur maybe you have knowledge that people have search numerous times for their chosen readings like

digital electronics and microcomputers r k gaur 2023 - Nov 06 2022

web fundamentals of digital logic and microcomputer design is anessential reference that will provide you with the fundamentaltools you need to design typical digital systems microprocessors and microcomputers may 27 2021 this book introduces microprocessors and microcomputers architecture programming and design it

pdf digital electronics and microcomputers r k gaur - Apr 11 2023

web digital electronics and microcomputers r k gaur microprocessors and microcomputers dec 17 2019 using the popular powerful and easy to understand 68hc11 microprocessor as a representative example this book provides a comprehensive introduction to the concepts principles and techniques of microprocessors and

[digital electronics and microcomputers r k gaur harvard](#) - Dec 27 2021

web digital electronics and microcomputers r k gaur as skillfully as review them wherever you are now switching theory and logic design a anand kumar 2014 03 06 this comprehensive text on switching theory and logic design is designed for the undergraduate students of electronics and communication engineering electrical and

[digital electronics and micro computers paperback r k gaur](#) - Aug 03 2022

web digital electronics and micro computers by r k gaur from flipkart com only genuine products 30 day replacement guarantee free shipping cash on delivery

digital electronics and microcomputers r k gaur pdf - Jun 13 2023

web digital electronics and microcomputers r k gaur current catalog jul 14 2020 first multi year cumulation covers six years 1965 70 cutting edge technologies and microcomputer applications for developing countries mar 22 2021 this report is based on a conference on the applications of microcomputers in development sponsored by

[digital electronics and micro computers paperback amazon in](#) - Mar 10 2023

web amazon in buy digital electronics and micro computers book online at best prices in india on amazon in read digital electronics and micro computers book reviews author details and more at amazon in free delivery on qualified orders

digital electronics and microcomputers r k gaur - Jul 02 2022

web well as review digital electronics and microcomputers r k gaur what you later to read linux in a nutshell ellen siever 2005 over the last few years linux has grown both as an operating system and a tool for personal and business use simultaneously becoming more user friendly and more powerful as a back end

digital electronics and microcomputers r k gaur k g aswani - Oct 05 2022

web electronics learn how to design transistors and op amp circuits using fets and bipolars by understanding their fundamental operational differences digital electronics learn cmos bicmos and bipolar digital design from basic logic circuit design to high speed high density digital design communications understand basic

digital electronics and microcomputer by gaur r k goodreads - May 12 2023

web digital electronics and microcomputer by gaur r k goodreads jump to ratings and reviews want to read buy on amazon rate this book digital electronics and microcomputer gaur r k 3 43 14 ratings2 reviews paperback book details editions about the author gaur r k 2 books ratings reviews friends following

digital electronics and microcomputers r k gaur book - Jul 14 2023

web digital electronics and microcomputers r k gaur public access microcomputers sep 21 2022 microcomputers in engineering and science jun 06 2021 personal computing jun 18 2022 introductory experiments in digital electronics and 8080a microcomputer programming and interfacing oct 10 2021 using microcomputer applications feb 02

[digital electronics and microcomputers r k gaur google books](#) - Aug 15 2023

web digital electronics and microcomputers author r k gaur edition 3 publisher dhanpat rai 1993 export citation bibtex endnote refman

free digital electronics and microcomputers r k gaur - Jan 08 2023

web digital electronics and microcomputers r k gaur microprocessor 5 may 25 2022 since its commercialization in 1971 the microprocessor a modern and integrated form of the central processing unit has continuously broken records in terms of its integrated functions computing power low costs and energy saving status

digital electronics and microcomputers r k gaur epub file - Sep 04 2022

web electronics at hnc hnd level digital electronics offers a comprehensive computer supported introduction to digital electronics from basic electrical theory and digital logic to hands on high tech applications designed to support project lead the way s pltw innovative digital electronics de curriculum this dynamic text

digital electronics and microcomputers r k gaur assfinetturis - Apr 30 2022

web mar 1 2023 information technology disciplines about the book digital electronics is a precise and yet complete book covering both digital electronics fundamentals and integrated circuits this book provides practical and comprehensive coverage of digital electronics bringing together information on fundamental theory operational aspects and

digital electronics and microcomputers r k gaur pdf archive - Feb 09 2023

web guides you could enjoy now is digital electronics and microcomputers r k gaur below digital electronics and microcomputers r k gaur downloaded from archive neighborcare org by guest porter griffith digital electronics and microcomputers r k gaur one must read book on digital electronics digital

digital electronics and microcomputers r k gaur pdf download - Jun 01 2022

web access digital electronics and microcomputers r k gaurpdf and download digital electronics and microcomputers r k gaur pdf for free microprocessors and microcomputers hardware and software

digital electronics and microcomputers r k gaur harvard - Dec 07 2022

web digital electronics and microcomputers r k gaur is available in our digital library an online access to it is set as public so you can get it instantly our book servers saves in multiple countries allowing you to get the most less latency time to download any of our books like this one kindly say the digital electronics and microcomputers r

digital electronics and microcomputers r k gaur - Mar 30 2022

web digital electronics and microcomputers r k gaur one must read book on digital electronics digital logic and computer design video in hindi the evolution of computing vacuum tube to transistor to integrated circuit documentary the s and r latch digital electronics eevblog

digital electronics and microcomputers r k gaur 2022 - Feb 26 2022

web 4 digital electronics and microcomputers r k gaur 2021 03 26 cameron nathaniel digital electronics upscale one must read book on digital electronics digital logic and computer design video in hindi the evolution of computing vacuum tube to transistor to integrated circuit documentary the s and

theory of vibrations with applications thomson william dahleh - Jun 01 2022

web william tyrrell thomson theory of vibrations with applications hardcover 28 august 1997 by william thomson author marie dillon dahleh author 95 ratings see all formats and editions kindle edition 582 40 read with our free app hardcover 1 774 00 1 new from 1 774 00 paperback 699 21 13 new from 590 00 emi starts at 86

loading interface goodreads - Dec 27 2021

web discover and share books you love on goodreads

theory of vibration with applications open library - Jul 02 2022

web dec 3 2022 overview view 5 editions details reviews lists related books last edited by importbot december 3 2022

history edit an edition of theory of vibration with applications 1972 theory of vibration with applications 4th ed by william tyrrell thomson 0 ratings 6 want to read 1 currently reading 1 have read

theory of vibration with applications william thomson taylor - Aug 15 2023

web oct 9 2017 william thomson 1993 theory of vibration with applications 1st ed crc press doi org 10 1201 9780203718841

theory of vibration with applications □□ □□□□ - Jan 28 2022

web theory of vibration with applications □□ □□ thomson w t dahleh marie dillon □□□ prentice hall □□□ 5th edition □□□ 1997 8 □□ 534 □□ 1666 00□ □□ hardcover isbn 9780136510680 □□□□ □□□□□□ □□ □□□ □□□ □□□ □□ □□□□

theory of vibration with applications 1st edition william thomson - Jan 08 2023

web theory of vibration with applications by william thomson copyright 1993 558 pages by crc press description this edition features a new chapter on computational methods that presents the basic principles on which most modern computer programs are developed

theory of vibration with applications thomson william t - Sep 04 2022

web theory of vibration with applications by thomson william t william tyrrell publication date 1988 topics vibration publisher englewood cliffs n j prentice hall

william t thomson auth theory of vibration with applications - Jul 14 2023

web his works on the oscillations of a simple pendulum and the vibration of strings are of fundamental significance in the theory of vibrations download free pdf view pdf see full pdf download pdf

theory of vibration with applications william thomson google - Feb 09 2023

web feb 6 2018 theory of vibration with applications william thomson crc press feb 6 2018 technology engineering 558

pages this edition features a new chapter on computational methods that presents

theory of vibration with applications thomson docshare tips - Feb 26 2022

web theory of vibration with applications second edition william t thomson professor emeritus department of mechanical and environmental engineering university of california santa barbara california london george allen unwinn sydney first published in the usa by prentice hall inc 1981 first published by george

theory of vibrations with applications pearson - Dec 07 2022

web aug 7 1997 theory of vibrations with applications 5th edition published by pearson august 6 1997 1998 william t thomson university of california at santa barbara marie dillon dahleh university of california at santa barbara

theory of vibration with applications william thomson google - Apr 11 2023

web feb 6 2018 this edition features a new chapter on computational methods that presents the basic principles on which most modern computer programs are developed it introduces an example on rotor balancing and

download theory of vibration with applications by thomson - Mar 30 2022

web download theory of vibration with applications pdf description this fourth edition of this volume features a new chapter on computational methods that presents the basic principles on which most modern computer programs are developed it introduces an example on rotor balancing and expands on the section on shock spectrum and isolation

theory of vibration with applications william thomson google - Jun 13 2023

web feb 1 1996 theory of vibration with applications william thomson crc press feb 1 1996 technology engineering 560 pages this edition features a new chapter on computational methods that presents

theory of vibrations with applications pearson - Oct 05 2022

web oct 31 2013 theory of vibrations with applications pearson new international edition 5th edition published by pearson october 31 2013 2014 william t thomson university of california at santa barbara marie dillon dahleh university of

theory of vibrations with applications pearson - Nov 06 2022

web aug 7 1997 engineering mechanical engineering vibration analysis theory of vibrations with applications 5th edition published by pearson august 6 1997 1998 william t thomson university of california at santa barbara marie dillon dahleh university of california at santa barbara hardcover 229 32 price reduced from

theory of vibration with applications 4th edition hardcover - Aug 03 2022

web thomson incorporates modern techniques of matrix theory and digital computer methods and focuses on the physical aspects of the mathematical concepts needed to describe the vibration phenomena numerous examples illustrate applications to typical problems faced by practicing engineers

theory of vibration with applications by william t thomson goodreads - Apr 30 2022

web aug 7 1997 william t thomson 4 07 94 ratings1 review junior or senior level vibration courses in departments of mechanical engineering a thorough treatment of vibration theory and its engineering applications from simple degree to multi degree of freedom system genres engineering referencesciencetextbooks 544 pages

william t thomson marie dillon dahleh theory of vibration with - May 12 2023

web william t thomson marie dillon dahleh theory of vibration with applications prentice hall 1997

theory of vibration with applications 5th edition thomson - Mar 10 2023

web aug 7 1997 from the back cover a thorough treatment of vibration theory and its engineering applications from simple degree to multi degree of freedom system focuses on the physical aspects of the mathematical concepts necessary to describe the