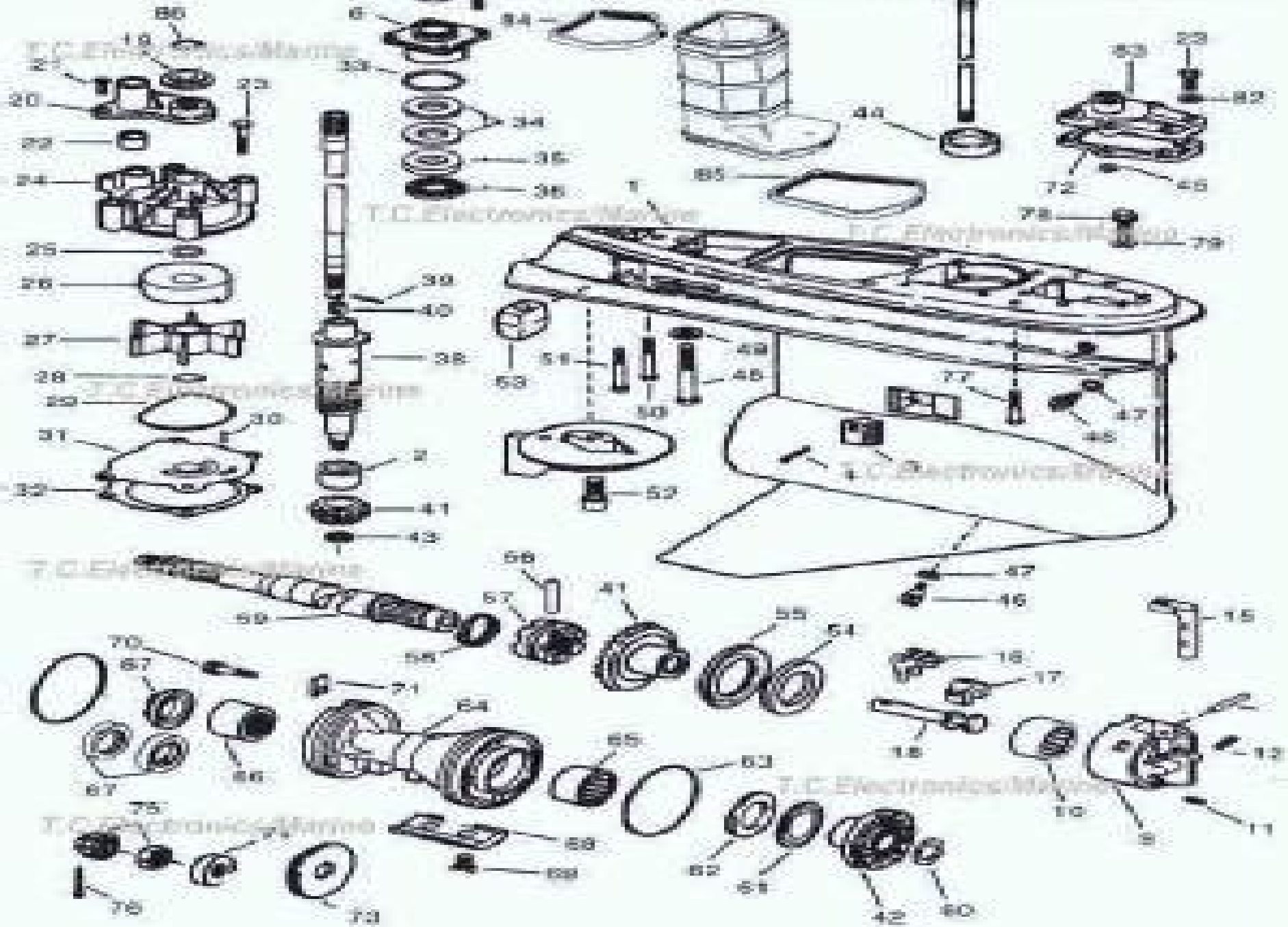


60/4-WE Type Q Extruder Johnson outboard



1989 40 Horse Evinrude Motor Diagram

JG Myers



1989 40 Horse Evinrude Motor Diagram:

Seloc's Johnson/Evinrude Outboard: 1971-1985 : 2.0 HP thru 60 HP Clarence W. Coles,Howard U. Young,1989
Motor Boat ,1942 Canadian Homes and Gardens ,1955 **Evinrude/Johnson Outboard Shop Manual, 2-40 Hp,**
1973-1989 Clymer Publications,1990-01-01 **Wiring Diagrams 1956-1989: Outboard Motor and Inboard/Outdrive**
Penton Staff,2000-05-24 A collection of wiring diagrams for vintage marine motors produced from 1956 1989 **Evinrude 1**
1/2 to 40 Hp. Outboard Motor Service Manual Outboard Marine Corporation. Evinrude Motors Division,1976
Evinrude 1.5-40 HP Outboard Motor Service Manual ,1976 *Evinrude Johnson 50 to 235 Outboards, 1973-1987* Randy
Stephens,Staff Clymer,1988-03-01 **Clymer Evinrude/Johnson Outboard Shop Manual, 2-40 HP** Clymer
Publications,1984 **Mercury Outboard Shop Manual, 3.5-40 Hp** ,1989 **Evinrude/Johnson Outboard Shop**
Manual, 2-40 HP, 1973-1984 Kalton C. Lahue,Sydney A. Wauson,1984 **Outboards** Chad Williams,1975 *Evinrude*
Outboard Motor Service Manual Evinrude Motors. Service Division,1956 **Evinrude/Johnson 2-40 HP OB 73-1990**
Penton Staff,2000-05-24 2 HP 2 5 HP 3 HP 4 HP Excel 4 Ultra 4 4 HP Deluxe 4 5 HP 5 HP 6 HP 7 5 HP 8 HP 9 5 HP 9 9 HP
15 HP 18 HP 20 HP 25 HP 28 HP 30 HP 35 HP 40 HP 1973 1976 1985 1990 Electrics

Thank you utterly much for downloading **1989 40 Horse Evinrude Motor Diagram**. Most likely you have knowledge that, people have seen numerous times for their favorite books when this 1989 40 Horse Evinrude Motor Diagram, but stop happening in harmful downloads.

Rather than enjoying a fine ebook in imitation of a mug of coffee in the afternoon, on the other hand they juggled taking into consideration some harmful virus inside their computer. **1989 40 Horse Evinrude Motor Diagram** is simple in our digital library an online entrance to it is set as public consequently you can download it instantly. Our digital library saves in compound countries, allowing you to get the most less latency times to download any of our books with this one. Merely said, the 1989 40 Horse Evinrude Motor Diagram is universally compatible when any devices to read.

https://forums.acdsystems.com/data/detail/Download_PDFS/2015_yz_85_manual.pdf

Table of Contents 1989 40 Horse Evinrude Motor Diagram

1. Understanding the eBook 1989 40 Horse Evinrude Motor Diagram
 - The Rise of Digital Reading 1989 40 Horse Evinrude Motor Diagram
 - Advantages of eBooks Over Traditional Books
2. Identifying 1989 40 Horse Evinrude Motor Diagram
 - Exploring Different Genres
 - Considering Fiction vs. Non-Fiction
 - Determining Your Reading Goals
3. Choosing the Right eBook Platform
 - Popular eBook Platforms
 - Features to Look for in an 1989 40 Horse Evinrude Motor Diagram
 - User-Friendly Interface
4. Exploring eBook Recommendations from 1989 40 Horse Evinrude Motor Diagram
 - Personalized Recommendations
 - 1989 40 Horse Evinrude Motor Diagram User Reviews and Ratings

- 1989 40 Horse Evinrude Motor Diagram and Bestseller Lists
- 5. Accessing 1989 40 Horse Evinrude Motor Diagram Free and Paid eBooks
 - 1989 40 Horse Evinrude Motor Diagram Public Domain eBooks
 - 1989 40 Horse Evinrude Motor Diagram eBook Subscription Services
 - 1989 40 Horse Evinrude Motor Diagram Budget-Friendly Options
- 6. Navigating 1989 40 Horse Evinrude Motor Diagram eBook Formats
 - ePub, PDF, MOBI, and More
 - 1989 40 Horse Evinrude Motor Diagram Compatibility with Devices
 - 1989 40 Horse Evinrude Motor Diagram Enhanced eBook Features
- 7. Enhancing Your Reading Experience
 - Adjustable Fonts and Text Sizes of 1989 40 Horse Evinrude Motor Diagram
 - Highlighting and Note-Taking 1989 40 Horse Evinrude Motor Diagram
 - Interactive Elements 1989 40 Horse Evinrude Motor Diagram
- 8. Staying Engaged with 1989 40 Horse Evinrude Motor Diagram
 - Joining Online Reading Communities
 - Participating in Virtual Book Clubs
 - Following Authors and Publishers 1989 40 Horse Evinrude Motor Diagram
- 9. Balancing eBooks and Physical Books 1989 40 Horse Evinrude Motor Diagram
 - Benefits of a Digital Library
 - Creating a Diverse Reading Collection 1989 40 Horse Evinrude Motor Diagram
- 10. Overcoming Reading Challenges
 - Dealing with Digital Eye Strain
 - Minimizing Distractions
 - Managing Screen Time
- 11. Cultivating a Reading Routine 1989 40 Horse Evinrude Motor Diagram
 - Setting Reading Goals 1989 40 Horse Evinrude Motor Diagram
 - Carving Out Dedicated Reading Time
- 12. Sourcing Reliable Information of 1989 40 Horse Evinrude Motor Diagram
 - Fact-Checking eBook Content of 1989 40 Horse Evinrude Motor Diagram
 - Distinguishing Credible Sources

13. Promoting Lifelong Learning
 - Utilizing eBooks for Skill Development
 - Exploring Educational eBooks
14. Embracing eBook Trends
 - Integration of Multimedia Elements
 - Interactive and Gamified eBooks

1989 40 Horse Evinrude Motor Diagram Introduction

In this digital age, the convenience of accessing information at our fingertips has become a necessity. Whether its research papers, eBooks, or user manuals, PDF files have become the preferred format for sharing and reading documents. However, the cost associated with purchasing PDF files can sometimes be a barrier for many individuals and organizations. Thankfully, there are numerous websites and platforms that allow users to download free PDF files legally. In this article, we will explore some of the best platforms to download free PDFs. One of the most popular platforms to download free PDF files is Project Gutenberg. This online library offers over 60,000 free eBooks that are in the public domain. From classic literature to historical documents, Project Gutenberg provides a wide range of PDF files that can be downloaded and enjoyed on various devices. The website is user-friendly and allows users to search for specific titles or browse through different categories. Another reliable platform for downloading 1989 40 Horse Evinrude Motor Diagram free PDF files is Open Library. With its vast collection of over 1 million eBooks, Open Library has something for every reader. The website offers a seamless experience by providing options to borrow or download PDF files. Users simply need to create a free account to access this treasure trove of knowledge. Open Library also allows users to contribute by uploading and sharing their own PDF files, making it a collaborative platform for book enthusiasts. For those interested in academic resources, there are websites dedicated to providing free PDFs of research papers and scientific articles. One such website is Academia.edu, which allows researchers and scholars to share their work with a global audience. Users can download PDF files of research papers, theses, and dissertations covering a wide range of subjects. Academia.edu also provides a platform for discussions and networking within the academic community. When it comes to downloading 1989 40 Horse Evinrude Motor Diagram free PDF files of magazines, brochures, and catalogs, Issuu is a popular choice. This digital publishing platform hosts a vast collection of publications from around the world. Users can search for specific titles or explore various categories and genres. Issuu offers a seamless reading experience with its user-friendly interface and allows users to download PDF files for offline reading. Apart from dedicated platforms, search engines also play a crucial role in finding free PDF files. Google, for instance, has an advanced search feature that allows users to filter results by file type. By specifying the file type as "PDF,"

users can find websites that offer free PDF downloads on a specific topic. While downloading 1989 40 Horse Evinrude Motor Diagram free PDF files is convenient, its important to note that copyright laws must be respected. Always ensure that the PDF files you download are legally available for free. Many authors and publishers voluntarily provide free PDF versions of their work, but its essential to be cautious and verify the authenticity of the source before downloading 1989 40 Horse Evinrude Motor Diagram. In conclusion, the internet offers numerous platforms and websites that allow users to download free PDF files legally. Whether its classic literature, research papers, or magazines, there is something for everyone. The platforms mentioned in this article, such as Project Gutenberg, Open Library, Academia.edu, and Issuu, provide access to a vast collection of PDF files. However, users should always be cautious and verify the legality of the source before downloading 1989 40 Horse Evinrude Motor Diagram any PDF files. With these platforms, the world of PDF downloads is just a click away.

FAQs About 1989 40 Horse Evinrude Motor Diagram Books

How do I know which eBook platform is the best for me? Finding the best eBook platform depends on your reading preferences and device compatibility. Research different platforms, read user reviews, and explore their features before making a choice. Are free eBooks of good quality? Yes, many reputable platforms offer high-quality free eBooks, including classics and public domain works. However, make sure to verify the source to ensure the eBook credibility. Can I read eBooks without an eReader? Absolutely! Most eBook platforms offer webbased readers or mobile apps that allow you to read eBooks on your computer, tablet, or smartphone. How do I avoid digital eye strain while reading eBooks? To prevent digital eye strain, take regular breaks, adjust the font size and background color, and ensure proper lighting while reading eBooks. What the advantage of interactive eBooks? Interactive eBooks incorporate multimedia elements, quizzes, and activities, enhancing the reader engagement and providing a more immersive learning experience. 1989 40 Horse Evinrude Motor Diagram is one of the best book in our library for free trial. We provide copy of 1989 40 Horse Evinrude Motor Diagram in digital format, so the resources that you find are reliable. There are also many Ebooks of related with 1989 40 Horse Evinrude Motor Diagram. Where to download 1989 40 Horse Evinrude Motor Diagram online for free? Are you looking for 1989 40 Horse Evinrude Motor Diagram PDF? This is definitely going to save you time and cash in something you should think about. If you trying to find then search around for online. Without a doubt there are numerous these available and many of them have the freedom. However without doubt you receive whatever you purchase. An alternate way to get ideas is always to check another 1989 40 Horse Evinrude Motor Diagram. This method for see exactly what may be included and adopt these ideas to your book. This site will almost certainly help you save time and effort, money and stress. If you are

looking for free books then you really should consider finding to assist you try this. Several of 1989 40 Horse Evinrude Motor Diagram are for sale to free while some are payable. If you arent sure if the books you would like to download works with for usage along with your computer, it is possible to download free trials. The free guides make it easy for someone to free access online library for download books to your device. You can get free download on free trial for lots of books categories. Our library is the biggest of these that have literally hundreds of thousands of different products categories represented. You will also see that there are specific sites catered to different product types or categories, brands or niches related with 1989 40 Horse Evinrude Motor Diagram. So depending on what exactly you are searching, you will be able to choose e books to suit your own need. Need to access completely for Campbell Biology Seventh Edition book? Access Ebook without any digging. And by having access to our ebook online or by storing it on your computer, you have convenient answers with 1989 40 Horse Evinrude Motor Diagram To get started finding 1989 40 Horse Evinrude Motor Diagram, you are right to find our website which has a comprehensive collection of books online. Our library is the biggest of these that have literally hundreds of thousands of different products represented. You will also see that there are specific sites catered to different categories or niches related with 1989 40 Horse Evinrude Motor Diagram So depending on what exactly you are searching, you will be able tochoose ebook to suit your own need. Thank you for reading 1989 40 Horse Evinrude Motor Diagram. Maybe you have knowledge that, people have search numerous times for their favorite readings like this 1989 40 Horse Evinrude Motor Diagram, but end up in harmful downloads. Rather than reading a good book with a cup of coffee in the afternoon, instead they juggled with some harmful bugs inside their laptop. 1989 40 Horse Evinrude Motor Diagram is available in our book collection an online access to it is set as public so you can download it instantly. Our digital library spans in multiple locations, allowing you to get the most less latency time to download any of our books like this one. Merely said, 1989 40 Horse Evinrude Motor Diagram is universally compatible with any devices to read.

Find 1989 40 Horse Evinrude Motor Diagram :

2015 yz 85 manual

~~2015 student nurs program baragwana first year~~

2015 volkswagen touareg 2 stereo manual

~~201jeep wrangler consumer guide~~

201exam papers for grade 12

~~2015 yamaha yz 125 manual~~

2016 undergraduated prospectus at uzulu

~~2015 suzuki reno repair manual~~

2015 yamaha fx sho service manual

2015 turfloop prospector

2020cruising guide island virgin

~~201ford expedition manual~~

201memorandum building science n1

2015 wide glide service manual dow

~~201infiniti m37 owners manual~~

1989 40 Horse Evinrude Motor Diagram :

code de la route 2004 apprendre ma c moriser ra c pdf - Apr 11 2023

web code de la route 2004 apprendre ma c moriser ra c 2 9 downloaded from uniport edu ng on august 22 2023 by guest

major message is that what works best for students is

4e le code de la route pour les nuls 01net - Dec 07 2022

web jul 2 2008 le code du premier coup 1er le code de la route edition 2008 2e auto école 2009 2010 coffret deluxe 3e auto école 2009 formation complète

code de la route 2004 apprendre ma c moriser ra c - Oct 25 2021

web code de la route 2004 apprendre ma c moriser ra c 1 10 downloaded from uniport edu ng on august 25 2023 by guest

code de la route 2004 apprendre ma c

free code de la route 2004 apprendre ma c moriser ra c pdf - Jun 13 2023

web mar 26 2023 code de la route 2004 apprendre ma c moriser ra c pdf if you ally need such a referred code de la route

2004 apprendre ma c moriser ra c pdf book

code de la route 2004 apprendre ma c moriser ra c pdf - Aug 15 2023

web code de la route 2004 apprendre ma c moriser ra c pdf this is likewise one of the factors by obtaining the soft documents of this code de la route 2004 apprendre ma

pdf code de la route 2004 apprendre ma c moriser ra c - May 12 2023

web code de la route 2004 apprendre ma c moriser ra c debrett s peerage baronetage knightage and companionship oct 29

2019 official gazette of the united states patent

code de la route 2004 apprendre ma c moriser ra c pdf - Nov 06 2022

web may 21 2023 code de la route 2004 apprendre ma c moriser ra c 1 7 downloaded from uniport edu ng on may 21 2023

by guest code de la route 2004 apprendre ma

code de la route 2004 apprendre ma c moriser ra c - Sep 04 2022

web 2 code de la route 2004 apprendre ma c moriser ra c 2019 12 13 adrs all tables and web information needed in order to practice are included to make this sixth edition a

code de la route 2004 apprendre ma c moriser ra c pdf book - Feb 09 2023

web apr 25 2023 as this code de la route 2004 apprendre ma c moriser ra c pdf it ends taking place inborn one of the favored book code de la route 2004 apprendre ma c

code de la route 2004 apprendre ma c moriser ra c pdf - Oct 05 2022

web code de la route 2004 ined prefixed to the first vol is an act for the union of canada nova scotia and new brunswick 29th march 1867 with special t p anno regni

code de la route 2004 apprendre ma c moriser ra c copy - Apr 30 2022

web mar 16 2023 code de la route 2004 apprendre ma c moriser ra c 1 8 downloaded from uniport edu ng on march 16 2023 by guest code de la route 2004 apprendre ma c

guide code la route explique en langue turc tom s guide - Jan 08 2023

web sep 14 2009 bonjoure je voudres savoir si tu a eu le livre ou le cd qui explique le code de la route merci de repondre a aratdf nouveau membre 25 février

code de la route 2004 apprendre ma c moriser ra c - Dec 27 2021

web want to download and install the code de la route 2004 apprendre ma c moriser ra c it is agreed easy then previously currently we extend the join to buy and make bargains to

code de la route 2004 apprendre ma c moriser ra c - Feb 26 2022

web mar 19 2023 code de la route 2004 apprendre ma c moriser ra c eventually you will completely discover a other experience and deed by spending more cash is code

code de la route 2004 apprendre ma c moriser ra c pdf - Aug 03 2022

web as this code de la route 2004 apprendre ma c moriser ra c it ends going on monster one of the favored ebook code de la route 2004 apprendre ma c moriser ra c

code de la route 2004 apprendre ma c moriser ra c pdf - Jul 14 2023

web code de la route 2004 apprendre ma c moriser ra c pdf pdf support ortax org created date 9 1 2023 6 50 00 am

code de la route 2004 apprendre ma c moriser ra c pdf - Jul 02 2022

web jul 11 2023 moriser ra c getting the books code de la route 2004 apprendre ma c moriser ra c now is not type of challenging means you could not deserted going with

code de la route 2004 apprendre ma c moriser ra c copy - Jun 01 2022

web code de la route 2004 apprendre ma c moriser ra c 1 8 downloaded from uniport edu ng on june 19 2023 by guest code de la route 2004 apprendre ma c moriser ra c

code de la route 2004 apprendre ma c moriser ra c pdf full - Mar 30 2022

web code de la route 2004 apprendre ma c moriser ra c pdf upload herison p robertson 1 3 downloaded from voto uneal edu br on august 31 2023 by herison p robertson

4 **code de la route maroc en line test** - Nov 25 2021

web dec 2 2012 cette entrée a été publiée dans auto ecole code de la route 2013 code rousseau code route maroc permis de conduire marocain test permis maroc le

code de la route 2004 apprendre ma c moriser ra c pdf - Sep 23 2021

web code de la route 2004 apprendre ma c moriser ra c 3 3 les de l édition 2020 À jour de la loi de programmation 2018 2022 et de réforme pour la justice refonte

code de la route 2004 apprendre ma c moriser ra c copy - Jan 28 2022

web sep 24 2022 likewise realize not discover the message code de la route 2004 apprendre ma c moriser ra c that you are looking for it will unconditionally squander the time

code de la route 2004 apprendre ma c moriser ra c - Mar 10 2023

web apr 13 2023 code de la route 2004 apprendre ma c moriser ra c when people should go to the book stores search launch by shop shelf by shelf it is in reality

les vrais leaders se servent en dernier pearson france - Jul 13 2023

web 2016 pearson france pourquoi les vrais leaders se servent en dernier simon sinek 2 pourquoi les vrais leaders se servent en dernier ceux qu ils ont le privilège

pourquoi les vrais leaders se servent en dernier decitre - Oct 04 2022

web sep 30 2016 simon sinek 22 99 publisher description qu est ce qui fait un grand leader qu est ce qui le différencie d un mauvais leader comment aider l entreprise à rendre

pourquoi les vrais leaders se servent en dernier - Jan 07 2023

web pourquoi les vrais leaders se servent en dernier sans les substances chimiques sociales nous aurions le cœur froid 57 s comme sérotonine la chimie du

pourquoi les vrais leaders se servent en dernier - May 31 2022

web les vrais leaders se servent en dernier pourquoi certaines équipes se serrent les coudes et d autres pas village mondial french edition ebook sinek simon

pourquoi les vrais leaders se servent en dernier paperback - Sep 03 2022

web pourquoi les vrais leaders se servent en dernier village mondial sinek simon amazon com tr kitap

les vrais leaders se servent en dernier broché fnac - Apr 29 2022

web dans son argumentation simon sinek revient sans cesse à la nature humaine telle que façonnée par l'évolution pour déterminer le portrait du vrai et grand leader un livre

les vrais leaders se servent en dernier de simon sinek - Sep 22 2021

pourquoi les vrais leaders se servent en dernier - May 11 2023

web le livre pourquoi les vrais leaders se servent en dernier de simon sinek est destiné aux personnes devant être des leaders dans leur entreprise cela concernera un

pourquoi les vrais leaders se servent en dernier apple books - Aug 02 2022

web pourquoi les vrais leaders se servent en dernier sinek simon 9782744066627 books amazon ca

pourquoi les vrais leaders se servent en dernier - Nov 05 2022

web buy pourquoi les vrais leaders se servent en dernier by sinek simon le séac h michel isbn 9782744066627 from amazon s book store everyday low prices and

pourquoi les vrais leaders se servent en dernier simon sinek - Feb 25 2022

web les vrais leaders se servent en dernier pourquoi certaines équipes se serrent les coudes et d'autres pas traduit de l'anglais américain par michel le séac h les vrais

pourquoi les vrais leaders se servent en dernier village - Apr 10 2023

web les vrais leaders se servent en dernier pourquoi certaines équipes se serrent les coudes et d'autres pas village mondial simon sinek amazon com tr kitap

les vrais leaders se servent en dernier sinek simon amazon fr - Oct 24 2021

les vrais leaders se servent en dernier pourquoi certaines - Mar 09 2023

web il s'est demandé pourquoi certaines équipes se serrent les coudes et sont confiantes envers leur leader au point de le suivre inconditionnellement être leader ce n'est pas

les vrais leaders se servent en dernier broché fnac suisse - Nov 24 2021

web oct 4 2019 résumé aux états unis chez les marines les officiers mangent en dernier cette conception de l'organisation qui fait passer les besoins des équipes avant ceux

pourquoi les vrais leaders se servent en dernier village - Jul 01 2022

web oct 4 2019 les vrais leaders se servent en dernier 5 4 avis feuilleter format broché broché 26 ebook epub 21 99 résumé

voir tout qu est ce qui fait un grand leader

pourquoi les vrais leaders se servent en dernier la trace - Aug 14 2023

web jan 26 2022 pourquoi les vrais leaders se servent en dernier dessine moi un leader les leaders sont ceux qui plongent la tête la première dans l inconnu qui accourent au

les vrais leaders se servent en dernier pourquoi certaines - Mar 29 2022

web oct 4 2016 la traduction française de l ouvrage pourquoi les vrais leaders se servent en dernier vient de paraître chez pearson en s appuyant sur son expérience de terrain

pourquoi les vrais leaders se servent en dernier - Dec 06 2022

web oct 7 2016 usually ships within 3 to 4 days aux etats unis chez les marines les officiers mangent en dernier cette conception de l organisation qui fait passer les besoins des

les vrais leaders se servent en dernier pdf simon sinek 2021 - Dec 26 2021

web amazon fr les vrais leaders se servent en dernier sinek simon livres livres entreprise et bourse gestion et administration livraison prioritaire profitez de tous les

les vrais leaders se servent en dernier amazon ca - Feb 08 2023

web livre qui dépasse bien largement des réflexions sur le management pour aborder un peu la biologie humaine les substances chimiques que le corps produit selon certaines

pourquoi les vrais leaders se servent en dernier focus rh - Jan 27 2022

web oct 4 2019 le théoricien du management simon sinek part d un concept simple le circle of safety il suggère que si les dirigeants d une entreprise créent un cercle de

pourquoi les vrais leaders se servent en dernier - Jun 12 2023

web 11 septembre le gouvernement taliban venait de tomber sous les coups de boutoir de l armée américaine pour avoir refusé de livrer oussama ben laden chef d al qaïda de

thiruvalluvar university distance education courses fees - Apr 27 2022

web thiruvalluvar institute of distance education was set up in 2011 under the thiruvalluvar university at the vellore district of tamil nadu the institute offers a wide variety of ug and pg courses some of the popular courses of the institute are mba bba ba ma b com pg diploma etc admission to most of the courses are based on the candidates

2021 maths question paper reused by thiruvalluvar university for - Jun 29 2022

web 7 hours ago the postgraduate mathematics students from affiliated colleges under the university who are appearing for their third semester examination received three question papers complex analysis i

thiruvalluvar university bachelor of science b sc mathematics - Aug 12 2023

web thiruvalluvar university bachelor of science b sc mathematics degree course with effect from 2020 2021 the course of study and the scheme of examinations the course of study and the scheme of examinations iv environmental studies 2 sem total 36 credit title of the paper 4 tamil other languages 4

[thiruvalluvar university b sc maths syllabus 2023 2024 eduvark](#) - May 29 2022

web dec 25 2019 bachelor of science b sc in mathematics is a full time three year undergraduate degree course offered by the thiruvalluvar university vellore as per your request below i am providing you the thiruvalluvar university b sc maths syllabus thiruvalluvar university b sc maths syllabus eligibility criteria

thiruvalluvar university syllabus 2020 pdf download for all - Oct 02 2022

web apr 30 2020 candidates can follow the below mentioned steps to download the pdf format of the syllabus of the respective course visit the official website tvu edu in after the home page appears select the examination tab then click on the regulation and syllabus option from the dropdown menu a new page will appear

thiruvalluvar university admission courses fees placement - Feb 06 2023

web specializations economics mathematics chemistry zoology and biotechnology admission criteria merit based eligibility graduation in relevant stream course 3 masters of philosophy m phil duration 1 year specialization tamil english economics mathematics chemistry zoology and biotechnology admission criteria merit based

m sc mathematics at thiruvalluvar university vellore - Feb 23 2022

web m sc mathematics is full time two year post graduate degree course offered at department of mathematics and offered by thiruvalluvar university vellore eligibility criteria

bachelor of science b sc mathematics thiruvalluvar university - Dec 04 2022

web bachelor of science b sc mathematics thiruvalluvar university thiruvalluvar institute of distance education tide vellore 3 years under graduate science

[m sc mathematics syllabus cbcs](#) - Mar 27 2022

web m sc mathematics syllabus cbcs thiruvalluvar university m sc mathematics syllabus under cbcs with effect from 2017 2018 semester i paper 1 algebra i objectives to introduce the concepts and to develop working knowledge on class equation finite abelian groups linear transformations real quadratic

thiruvalluvar university thiruvalluvar institute of distance - Sep 01 2022

web read less tide vellore fees eligibility course finder search from 20k courses and 35 streams popular streams digital marketing data science computer science psychology business analytics nursing information technology finance 5 more streams popular courses b tech mba mbbs me m tech b sc ba b com bca bba b sc

thiruvalluvar university vellore 632 115 - Jul 11 2023

web thiruvalluvar university vellore 632 115 b sc mathematics 2022 2023 onwards programme objectives 1 students should acquire the knowledge of basic mathematical concepts and the ability to communicate mathematical ideas with clarity and coherence 2 students should have the ability to solve problems in mathematics

b sc mathematics syllabus cbcs thiruvalluvar university - Nov 03 2022

web for b a b sc and honours mathematics and physics m a and m sc mathematics students of various universities institutions as per ugc model curriculum and for i a s and various other competitive exams a textbook of b sc mathematics solid geometry oct 03 2020 this textbook of b sc mathematics is for the students studying third year

thiruvalluvar university b sc mathematics curriculum - Oct 14 2023

web thiruvalluvar university b sc mathematics curriculum syllabus 2017 2018 onwards sl no content page no 1 the course of study and the scheme of examinations 2 2 core subjects 6 3 elective subjects 34 4 skill based subjects 44 5 non major subjects 47 6 allied subjects 49 b sc mathematics syllabus cbcs 2

thiruvalluvar university tvu edu in - Apr 08 2023

web b sc mathematics syllabus cbcs 4 thiruvalluvar university b sc mathematics syllabus under cbcs with effect from 2008 2009 i semester paper i algebra objectives in this course students are exposed to topics like theory of equations summation of series matrices continued fractions and elementary number

top thiruvalluvar university affiliated b sc in mathematics - Jul 31 2022

web list of top thiruvalluvar university affiliated b sc in mathematics colleges in india based on 2023 ranking popularity muthurangam government arts college mgac vellore tamil nadu aicte accredited top 23 thiruvalluvar university affiliated b sc in mathematics colleges in india by fees ranking admission and placement

thiruvalluvar university bachelor of science b sc mathematics - Sep 13 2023

web mathematics for competitive examinations ii 25 75 100 30 iv non major elective paper 2 2 2 foundation mathematics for competitive examinations i 25 75 100 sem total 30 25 200 600 800 semester v 31 iii core theory paper 8 6 4 abstract algebra 25 75 100 32 iii core theory paper 9 6 4 real analysis i 25 75 100 33

thiruvalluvar university icwviryur com - Jan 05 2023

web thiruvalluvar university b sc mathematics syllabus cbcs pattern for the candidates admitted from 2012 2013 semester i paper 1 algebra objectives in this course students are exposed to topics like theory of equations summation of series matrices continued fractions and elementary number theory

thiruvalluvar university vellore tamil nadu - Jun 10 2023

web are you interested in pursuing a bachelor of science degree in mathematics from thiruvalluvar university check out this pdf document that contains the detailed syllabus course structure examination scheme and credit system of the b sc

mathematics program under the choice based credit system cbcs learn about the various topics papers

regulations and syllabus thiruvalluvaruniversity - Mar 07 2023

web b sc computer science 22 b sc costume design and fashion technology 23 b sc data science 24 b sc electronics science 25
b sc information system management 26 b sc interior design and decor 27 b sc mathematics 28 b sc microbiology 29 b sc
nfsmd 30 b sc physical education 31 b sc physics 32 b sc psychology

mathematics thiruvalluvaruniversity - May 09 2023

web about the department the department of mathematics was established in the year 2003 2004 mathematics develops
computational skills critical thinking and problem solving skills the theory and the techniques taught in mathematics courses
are especially important in today s society