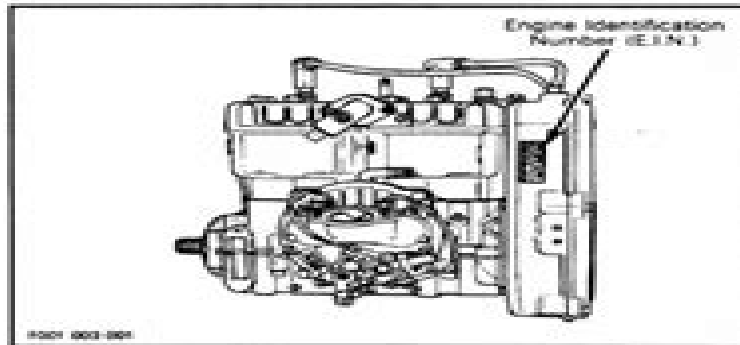


ENGINE IDENTIFICATION NUMBER (EIN)

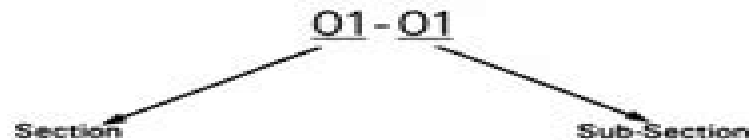
It is located on the upper side of the magneto housing.



DEFINITION OF NUMBERING SYSTEM

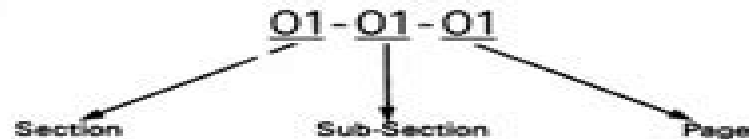
Sections and Sub-Sections System

The manual makes use of a 2-part digital numbering system (i.e. 01-01), in which the first two-digits represents the section, the second two-digits the sub-section.



Pages System

The numerotation at the bottom of each page assists the user in page location.



ARRANGEMENT OF THIS MANUAL

The manual is divided into 13 major sections :

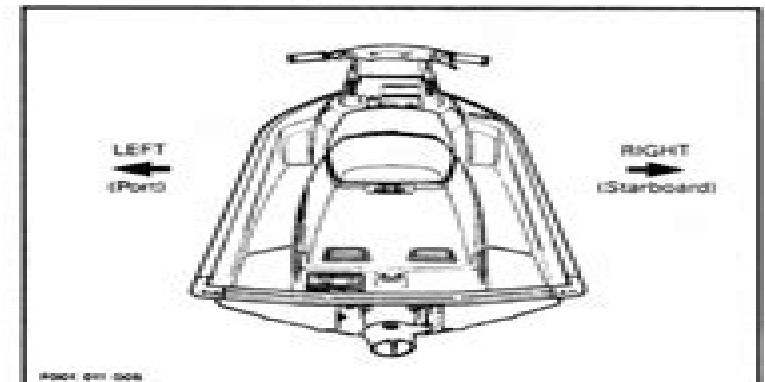
- 01 Service Tools
- 02 Periodic Inspection Chart
- 03 Engine
- 04 Cooling System
- 05 Fuel System
- 06 Oil System
- 07 Electrical
- 08 Propulsion & Drive Systems
- 09 Steering System
- 10 Hull/Body
- 11 Storage
- 12 Technical Data
- 13 Troubleshooting

Each section is divided in various sub-sections, and again, each sub-section has one or more division.

EX. : 03 ENGINE

- 01 Water-Flooded Engine Care
- 02 Removal & Installation
- 03 Top End
- 04 Flywheel & Magneto
- 05 Bottom End
- 06 Rotary Valve & Reservoir

The use of "Right" and "Left" indications in the text, always refers to driving position (when sitting on vehicle).



1989 Bombardier Sea Doo Repair Manual

CHILTON'S.



1989 Bombardier Sea Doo Repair Manual:

Popular Mechanics, 1989-07 *Popular Mechanics* inspires instructs and influences readers to help them master the modern world Whether it s practical DIY home improvement tips gadgets and digital technology information on the newest cars or the latest breakthroughs in science PM is the ultimate guide to our high tech lifestyle *Bibliography of Nautical Books* Alan Obin,1999 **Popular Mechanics**, 1989-10 *Popular Mechanics* inspires instructs and influences readers to help them master the modern world Whether it s practical DIY home improvement tips gadgets and digital technology information on the newest cars or the latest breakthroughs in science PM is the ultimate guide to our high tech lifestyle *Popular Mechanics*, 1989 Moody's Industrial Manual, 1994 Covering New York American regional stock exchanges international companies Popular Mechanics, 1989-09 *Popular Mechanics* inspires instructs and influences readers to help them master the modern world Whether it s practical DIY home improvement tips gadgets and digital technology information on the newest cars or the latest breakthroughs in science PM is the ultimate guide to our high tech lifestyle Lakeland Boating, 1990 **Popular Science**, 2002-12 *Popular Science* gives our readers the information and tools to improve their technology and their world The core belief that *Popular Science* and our readers share The future is going to be better and science and technology are the driving forces that will help make it better Clymer Sea-Doo Water Vehicles Shop Manual, 1988-1992, 1993 **Auto Repair Manual, 1989** Motor (New York, N.Y.), 1988 AUTO REPAIR MANUAL 1989-1993 CHILTON'S., 1992 **Chilton's Ford Crown Victoria 1989-06 Repair Manual** Eric Michael Mihalyi, Mark Ryan, 2007 Covers U S and Canadian models of Ford Crown Victoria and Mercury Grand Marquis Does not include Mercury Marauder 5 8L V8 engine information or information specific to natural gas fueled models **Ford 1989 Trader Repair Manual**, 1989 **Motor auto repair manual**, 1988 MR 2 1989 Repair Manual, 1988 **Chilton's Dodge Full Size Vans 1989-91 Repair Manual** Chilton Automotive Books, 1991 Total Car Care provides the amateur mechanic with two essential ingredients In depth information on all systems from headlights to exhaust Complete easy to follow illustrated procedural directions for disassembly removal replacement and reinstallation *Clymer Mercury Outboard Shop Manual 45-225 Hp, 1972-1989* Penton Staff, 1987-04-01 With the help of the *Clymer Mercury Outboard Shop Manual 45 225 Hp 1972 1989 Repair Manual* in your toolbox you will be able to maintain service and repair your outboard motor to extend its life for years to come Clymer manuals are very well known for their thorough and comprehensive nature This manual is loaded with step by step procedures along with detailed photography exploded views charts and diagrams to enhance the steps associated with a service or repair task This Clymer manual is organized by subsystem with procedures grouped together for specific topics The language used in this Clymer repair manual is targeted toward the novice mechanic but is also very valuable for the experienced mechanic The service manual by Clymer is an authoritative piece of DIY literature and should provide you the confidence you need to get the job done and save money too **Service and Repair Manual**, 1996* *Chilton's Ford*

Crown Victoria/Mercury Grand Marquis ,1993 Total Car Care is the most complete step by step automotive repair manual you ll ever use All repair procedures are supported by detailed specifications exploded views and photographs From the simplest repair procedure to the most complex trust Chilton s Total Car Care to give you everything you need to do the job Save time and money by doing it yourself with the confidence only a Chilton Repair Manual can provide **Repair Manual**
for the Engine Types 1 VD 8/8-2 SL, 2 VD 8/8 - 2 SVL, 4 VD 8/8-2 SVL ,1985

Reviewing **1989 Bombardier Sea Doo Repair Manual**: Unlocking the Spellbinding Force of Linguistics

In a fast-paced world fueled by information and interconnectivity, the spellbinding force of linguistics has acquired newfound prominence. Its capacity to evoke emotions, stimulate contemplation, and stimulate metamorphosis is really astonishing. Within the pages of "**1989 Bombardier Sea Doo Repair Manual**," an enthralling opus penned by a highly acclaimed wordsmith, readers set about an immersive expedition to unravel the intricate significance of language and its indelible imprint on our lives. Throughout this assessment, we shall delve to the book is central motifs, appraise its distinctive narrative style, and gauge its overarching influence on the minds of its readers.

https://forums.acdsystems.com/About/Resources/index.jsp/2015_kodiak_400_manual.pdf

Table of Contents 1989 Bombardier Sea Doo Repair Manual

1. Understanding the eBook 1989 Bombardier Sea Doo Repair Manual
 - The Rise of Digital Reading 1989 Bombardier Sea Doo Repair Manual
 - Advantages of eBooks Over Traditional Books
2. Identifying 1989 Bombardier Sea Doo Repair Manual
 - Exploring Different Genres
 - Considering Fiction vs. Non-Fiction
 - Determining Your Reading Goals
3. Choosing the Right eBook Platform
 - Popular eBook Platforms
 - Features to Look for in an 1989 Bombardier Sea Doo Repair Manual
 - User-Friendly Interface
4. Exploring eBook Recommendations from 1989 Bombardier Sea Doo Repair Manual
 - Personalized Recommendations
 - 1989 Bombardier Sea Doo Repair Manual User Reviews and Ratings
 - 1989 Bombardier Sea Doo Repair Manual and Bestseller Lists

5. Accessing 1989 Bombardier Sea Doo Repair Manual Free and Paid eBooks
 - 1989 Bombardier Sea Doo Repair Manual Public Domain eBooks
 - 1989 Bombardier Sea Doo Repair Manual eBook Subscription Services
 - 1989 Bombardier Sea Doo Repair Manual Budget-Friendly Options
6. Navigating 1989 Bombardier Sea Doo Repair Manual eBook Formats
 - ePub, PDF, MOBI, and More
 - 1989 Bombardier Sea Doo Repair Manual Compatibility with Devices
 - 1989 Bombardier Sea Doo Repair Manual Enhanced eBook Features
7. Enhancing Your Reading Experience
 - Adjustable Fonts and Text Sizes of 1989 Bombardier Sea Doo Repair Manual
 - Highlighting and Note-Taking 1989 Bombardier Sea Doo Repair Manual
 - Interactive Elements 1989 Bombardier Sea Doo Repair Manual
8. Staying Engaged with 1989 Bombardier Sea Doo Repair Manual
 - Joining Online Reading Communities
 - Participating in Virtual Book Clubs
 - Following Authors and Publishers 1989 Bombardier Sea Doo Repair Manual
9. Balancing eBooks and Physical Books 1989 Bombardier Sea Doo Repair Manual
 - Benefits of a Digital Library
 - Creating a Diverse Reading Collection 1989 Bombardier Sea Doo Repair Manual
10. Overcoming Reading Challenges
 - Dealing with Digital Eye Strain
 - Minimizing Distractions
 - Managing Screen Time
11. Cultivating a Reading Routine 1989 Bombardier Sea Doo Repair Manual
 - Setting Reading Goals 1989 Bombardier Sea Doo Repair Manual
 - Carving Out Dedicated Reading Time
12. Sourcing Reliable Information of 1989 Bombardier Sea Doo Repair Manual
 - Fact-Checking eBook Content of 1989 Bombardier Sea Doo Repair Manual
 - Distinguishing Credible Sources
13. Promoting Lifelong Learning

- Utilizing eBooks for Skill Development
 - Exploring Educational eBooks
14. Embracing eBook Trends
- Integration of Multimedia Elements
 - Interactive and Gamified eBooks

1989 Bombardier Sea Doo Repair Manual Introduction

In this digital age, the convenience of accessing information at our fingertips has become a necessity. Whether its research papers, eBooks, or user manuals, PDF files have become the preferred format for sharing and reading documents. However, the cost associated with purchasing PDF files can sometimes be a barrier for many individuals and organizations. Thankfully, there are numerous websites and platforms that allow users to download free PDF files legally. In this article, we will explore some of the best platforms to download free PDFs. One of the most popular platforms to download free PDF files is Project Gutenberg. This online library offers over 60,000 free eBooks that are in the public domain. From classic literature to historical documents, Project Gutenberg provides a wide range of PDF files that can be downloaded and enjoyed on various devices. The website is user-friendly and allows users to search for specific titles or browse through different categories. Another reliable platform for downloading 1989 Bombardier Sea Doo Repair Manual free PDF files is Open Library. With its vast collection of over 1 million eBooks, Open Library has something for every reader. The website offers a seamless experience by providing options to borrow or download PDF files. Users simply need to create a free account to access this treasure trove of knowledge. Open Library also allows users to contribute by uploading and sharing their own PDF files, making it a collaborative platform for book enthusiasts. For those interested in academic resources, there are websites dedicated to providing free PDFs of research papers and scientific articles. One such website is Academia.edu, which allows researchers and scholars to share their work with a global audience. Users can download PDF files of research papers, theses, and dissertations covering a wide range of subjects. Academia.edu also provides a platform for discussions and networking within the academic community. When it comes to downloading 1989 Bombardier Sea Doo Repair Manual free PDF files of magazines, brochures, and catalogs, Issuu is a popular choice. This digital publishing platform hosts a vast collection of publications from around the world. Users can search for specific titles or explore various categories and genres. Issuu offers a seamless reading experience with its user-friendly interface and allows users to download PDF files for offline reading. Apart from dedicated platforms, search engines also play a crucial role in finding free PDF files. Google, for instance, has an advanced search feature that allows users to filter results by file type. By specifying the file type as "PDF," users can find websites that offer free PDF downloads on a specific topic. While downloading 1989 Bombardier Sea Doo

Repair Manual free PDF files is convenient, its important to note that copyright laws must be respected. Always ensure that the PDF files you download are legally available for free. Many authors and publishers voluntarily provide free PDF versions of their work, but its essential to be cautious and verify the authenticity of the source before downloading 1989 Bombardier Sea Doo Repair Manual. In conclusion, the internet offers numerous platforms and websites that allow users to download free PDF files legally. Whether its classic literature, research papers, or magazines, there is something for everyone. The platforms mentioned in this article, such as Project Gutenberg, Open Library, Academia.edu, and Issuu, provide access to a vast collection of PDF files. However, users should always be cautious and verify the legality of the source before downloading 1989 Bombardier Sea Doo Repair Manual any PDF files. With these platforms, the world of PDF downloads is just a click away.

FAQs About 1989 Bombardier Sea Doo Repair Manual Books

What is a 1989 Bombardier Sea Doo Repair Manual PDF? A PDF (Portable Document Format) is a file format developed by Adobe that preserves the layout and formatting of a document, regardless of the software, hardware, or operating system used to view or print it. **How do I create a 1989 Bombardier Sea Doo Repair Manual PDF?** There are several ways to create a PDF: Use software like Adobe Acrobat, Microsoft Word, or Google Docs, which often have built-in PDF creation tools. Print to PDF: Many applications and operating systems have a "Print to PDF" option that allows you to save a document as a PDF file instead of printing it on paper. Online converters: There are various online tools that can convert different file types to PDF. **How do I edit a 1989 Bombardier Sea Doo Repair Manual PDF?** Editing a PDF can be done with software like Adobe Acrobat, which allows direct editing of text, images, and other elements within the PDF. Some free tools, like PDFescape or Smallpdf, also offer basic editing capabilities. **How do I convert a 1989 Bombardier Sea Doo Repair Manual PDF to another file format?** There are multiple ways to convert a PDF to another format: Use online converters like Smallpdf, Zamzar, or Adobe Acrobats export feature to convert PDFs to formats like Word, Excel, JPEG, etc. Software like Adobe Acrobat, Microsoft Word, or other PDF editors may have options to export or save PDFs in different formats. **How do I password-protect a 1989 Bombardier Sea Doo Repair Manual PDF?** Most PDF editing software allows you to add password protection. In Adobe Acrobat, for instance, you can go to "File" -> "Properties" -> "Security" to set a password to restrict access or editing capabilities. Are there any free alternatives to Adobe Acrobat for working with PDFs? Yes, there are many free alternatives for working with PDFs, such as: LibreOffice: Offers PDF editing features. PDFsam: Allows splitting, merging, and editing PDFs. Foxit Reader: Provides basic PDF viewing and editing capabilities. How do I compress a PDF file? You can use online tools like Smallpdf, ILovePDF, or desktop software like Adobe Acrobat to compress PDF files without

significant quality loss. Compression reduces the file size, making it easier to share and download. Can I fill out forms in a PDF file? Yes, most PDF viewers/editors like Adobe Acrobat, Preview (on Mac), or various online tools allow you to fill out forms in PDF files by selecting text fields and entering information. Are there any restrictions when working with PDFs? Some PDFs might have restrictions set by their creator, such as password protection, editing restrictions, or print restrictions. Breaking these restrictions might require specific software or tools, which may or may not be legal depending on the circumstances and local laws.

Find 1989 Bombardier Sea Doo Repair Manual :

~~2015 kodiak 400 manual~~

~~2015 outback quick reference guide~~

2015 mazda 3 owners manual

~~2015 kia rio sedan manual~~

~~2015 saturn sl1 manual~~

2015 s s s2 examination question

2015 pontiac g6 repair manual

~~2015 mazda mx 5 service manual~~

~~2015 prospectus of university of vanda~~

~~2015 mazda 6 factory service manual~~

~~2015 kia rio workshop manual~~

~~2015 msce syllabus malawi~~

~~2015 mazda 3 ts2 owners manual~~

~~2015 msce history syllabus~~

2015 nissan versa factory service manual

1989 Bombardier Sea Doo Repair Manual :

napoleon the spirit of the age 1805 1810 softcover abebooks - Nov 21 2022

web like volume one of michael broers s magnificent biography the spirit of the age is based on the new version of napoleon s correspondence made available by the fondation napoléon in paris it is the story of napoleon s conquest of europe and that of his magnificent grande armée as they sweep through the length and breadth of europe

napoleon the spirit of the age 1805 1810 amazon com - Jul 30 2023

web apr 3 2018 the second volume in this dynamic three part life of napoleon covering the tumultuous years of 1805 to 1810 marking the zenith of napoleon s power and military might across europe the second volume of michael broers three volume life of napoleon covering the tumultuous years 1805 to 1810 a period which marks the zenith of

napoleon the spirit of the age 1805 1810 google books - Jun 28 2023

web apr 3 2018 like volume one it is based on the new version of napoleon s correspondence made available by the fondation napoléon in paris spirit of the age opens with napoleon s as yet untested

napoleon the spirit of the age 1805 1810 kağit kapak - Apr 26 2023

web napoleon the spirit of the age 1805 1810 broers michael amazon com tr kitap

napoleon the spirit of the age 1805 1810 better world books - Feb 10 2022

web oct 8 2019 this narrative opens with napoleon s as yet untested army making its way through the bavarian alps in the early winter of 1805 to fall upon the unsuspecting austrians and russians at austerlitz this was only the beginning of a series of spectacular victories over the prussians and russians over the next two years

napoleon the spirit of the age 1805 1810 goodreads - Oct 01 2023

web apr 3 2018 the second volume in this dynamic three part life of napoleon covering the tumultuous years of 1805 to 1810 marking the zenith of napoleon s power and military might across europe

napoleon the spirit of the age 1805 1810 paperback - Aug 19 2022

web details or fastest delivery wednesday may 3 order within 7 hrs 9 mins details select delivery location in stock quantity buy now payment secure transaction dispatches from amazon sold by amazon returns returnable within 30 days of receipt details payment secure transaction we work hard to protect your security and privacy

napoleon series by michael broers goodreads - Feb 22 2023

web an accomplished o want to read rate it napoleon soldier of destiny napoleon the spirit of the age 1805 1810 and napoleon the decline and fall of an empire 1811 1821

napoleon kirkus reviews - Dec 23 2022

web apr 3 2018 throughout the book broers western european history oxford univ napoleon soldier of destiny 2015 etc delivers page turning accounts of the many military engagements of the time

napoleon the spirit of the age 1805 1810 hardcover - Mar 14 2022

web napoleon the spirit of the age 1805 1810 broers michael on amazon com au free shipping on eligible orders napoleon the spirit of the age 1805 1810

napoleon the spirit of the age 1805 1810 by michael broers - May 16 2022

web apr 3 2018 *napoleon the spirit of the age 1805 1810* by michael broers april 03 2018 steve donoghue *napoleon the spirit of the age 1805 1810* by michael broers pegasus books 2018

napoleon the spirit of the age 1805 1810 google books - May 28 2023

web michael broers is professor of western european history at oxford university he is the author of among other books about revolutionary and napoleonic europe the napoleonic empire in italy

[napoleon the spirit of the age 1805 1810 hardcover amazon in](#) - Sep 19 2022

web pegasus books

napoleon the spirit of the age 1805 1810 archive org - Aug 31 2023

web feb 6 2022 *napoleon i emperor of the french 1769 1821 france kings and rulers biography france history consulate and first empire 1799 1815* publisher new york pegasus books

napoleon the spirit of the age 1805 1810 alibris - Jun 16 2022

web the second volume of michael broers three volume life of napoleon covering the tumultuous years 1805 to 1810 a period which marks the zenith of napoleon s power and military success like volume one it is based on the new version of napoleon s correspondence made available by the fondation napoleon in paris

napoleon the spirit of the age 1805 1810 hardcover - Oct 21 2022

web apr 3 2018 about the author michael broers is a professor of western european history at oxford university he is the author of the napoleonic empire in italy winner of the grand prix napoleon prize and napoleon soldier of destiny pegasus he

napoleon the spirit of the age 1805 1810 by michael broers - Jul 18 2022

web product information spirit of the age opens with napoleon s as yet untested army making its way through the bavarian alps in the early winter of 1805 to fall upon the unsuspecting austrians and russians and crushing them at austerlitz

[napoleon the spirit of the age 1805 1810 amazon com](#) - Mar 26 2023

web publication date april 3 2018 file size 33082 kb page flip

[napoleon the spirit of the age 1805 1810 bookreporter com](#) - Jan 24 2023

web oct 8 2019 *napoleon the spirit of the age 1805 1810* by michael broers the second volume in this acclaimed three part life of napoleon covering the dramatic years of 1805 to 1810 marking the zenith of napoleon s power across europe

napoleon the spirit of the age 1805 1810 paperback - Apr 14 2022

web amazon germany sold by amazon germany have one to sell sell on amazon other sellers on amazon add to cart 45 68 17 54 delivery sold by amazon us add to cart

download solutions servoprax c3 9900 lifetouch sensores para - Feb 08 2023

web servoprax c3 9900 lifetouch sensores para coleste ava and pip jan 03 2023 meet outgoing ava wren a fun fifth grader

who tries not to lose patience with her shy big

[where to download servoprax c3 9900 lifetouch sensores](#) - Oct 24 2021

web jul 30 2023 you could buy guide servoprax c3 9900 lifetouch sensores para coleste or acquire it as soon as feasible you could quickly download this servoprax c3 9900

servoprax c3 9900 lifetouch sensores para colesterol - Mar 29 2022

web jun 15 2023 servoprax c3 9900 lifetouch sensores para colesterol importado de alemania by servoprax bespoke cityam com keywords es los más vendidos los

[servoprax c3 9900 lifetouch sensores para colesterol](#) - May 11 2023

web servoprax c3 9900 lifetouch sensores para colesterol importado de alemania amazon es salud y cuidado personal

servoprax c3 9900 lifetouch sensores para coleste copy - Jun 12 2023

web jun 17 2023 servoprax c3 9900 lifetouch sensores para coleste 1 1 downloaded from uniport edu ng on june 17 2023 by guest servoprax c3 9900 lifetouch sensores

siemens v90 servo sürücü f7453 alarmı kontrol kalemi - Nov 05 2022

web aug 3 2015 herkese merhaba arkadaşlar elimde 1 adet siemens v90 servo sürücüm var hız modunda kullanıyorum ve tork limit veriyorum servoya 2 analog sinyal

[online shop servoprax](#) - Jan 07 2023

web servoprax is your reliable partner for all medical technology products as a modern and fast growing company servoprax offers you many advantages our product range

servoprax c3 9900 lifetouch sensores para colesterol - Jul 13 2023

web servoprax c3 9900 lifetouch sensores para colesterol importado de alemania by servoprax servoprax c3 9900 lifetouch sensores para colesterol es los más

[servoprax c3 9900 lifetouch sensores para colesterol](#) - Aug 14 2023

web servoprax c3 9900 lifetouch sensores para colesterol importado de alemania by servoprax es los más vendidos los productos más populares en servoprax c3 9900

servoprax c3 9900 lifetouch sensores para coleste uniport edu - Apr 10 2023

web apr 11 2023 servoprax c3 9900 lifetouch sensores para coleste is available in our digital library an online access to it is set as public so you can download it instantly our

servoprax c3 9900 lifetouch sensores para coleste pdf - Sep 22 2021

web connections if you target to download and install the servoprax c3 9900 lifetouch sensores para coleste pdf it is enormously simple then back currently we extend the

servoprax c3 9900 lifetouch sensores para coleste pdf full pdf - Jan 27 2022

web may 1 2023 servoprax c3 9900 lifetouch sensores para coleste pdf right here we have countless ebook servoprax c3 9900 lifetouch sensores para coleste pdf and

servoprax c3 9800 lifetouch blutzucker sensoren amazon de - Aug 02 2022

web servoprax c3 9800 lifetouch blutzucker sensoren kostenlose lieferung ab 20 eur für drogerie körperpflege produkte direkt von amazon de servoprax

servoprax c3 9900 lifetouch sensores para coleste pdf - May 31 2022

web in some cases you likewise complete not discover the publication servoprax c3 9900 lifetouch sensores para coleste that you are looking for it will unquestionably

delta plc ile servo pulse ve hmi dan kontrol etme - Dec 06 2022

web jan 28 2018 üst ve alt sensöre gelince duracak ve üst sensörde iken yukarıda sayıcı sensor belirtilen sayıya ulaşınca istenen istenilen miktarda pulse gönderecek örneğin 10

servoprax c3 9900 lifetouch sensores para coleste free pdf - Jul 01 2022

web servoprax c3 9900 lifetouch sensores para coleste book you are also motivated to search from other sources signet 9900 transmitter 3 9900 090 level temperature

servoprax c3 9900 lifetouch sensores para colesterol - Sep 03 2022

web may 17th 2020 servoprax c3 9900 lifetouch sensores para colesterol importado de alemania 3 4 de un máximo de 5 estrellas 4 7 servoprax c3 9600 lifetouch sensores

pdf servoprax c3 9900 lifetouch sensores para coleste pdf - Apr 29 2022

web servoprax c3 9900 lifetouch sensores para coleste pdf is welcoming in our digital library an online entrance to it is set as public thus you can download it instantly our

servoprax c3 9900 lifetouch sensores para coleste pdf - Mar 09 2023

web apr 11 2023 this servoprax c3 9900 lifetouch sensores para coleste but stop happening in harmful downloads rather than enjoying a good pdf subsequent to a cup

servoprax c3 9900 lifetouch sensores para coleste pdf full pdf - Nov 24 2021

web may 14 2023 servoprax c3 9900 lifetouch sensores para coleste pdf yeah reviewing a books servoprax c3 9900 lifetouch sensores para coleste pdf could go to your

servoprax ihr medizin technischer großhandel - Dec 26 2021

web als modernes und wachstumsstarkes unternehmen bietet servoprax ihnen viele vorteile unsere produktpalette umfasst über 12 000 produkte aus den kategorien laborbedarf

servoprax c3 9900 lifetouch sensores para coleste pdf - Feb 25 2022

web servoprax c3 9900 lifetouch sensores para coleste pdf download only cqa6 e4score com created date 9 4 2023 1 07 08 pm

servoprax c3 9900 lifetouch sensores para coleste pdf full pdf - Oct 04 2022

web may 23 2023 servoprax c3 9900 lifetouch sensores para coleste pdf is available in our digital library an online access to it is set as public so you can get it instantly our

geschichte der estnischen literatur de gruyter - Sep 21 2023

web sep 25 2008 schriftliche fixierung das frühe estnische schrifttum 1525 35 1800 kapitel iii neue genres von der erbauung zur zerstreung 1800 1870 kapitel iv professionalisierung 1870 1900 kapitel vi literatur im eigenen staat 1918 1940 kapitel viii neue vorzeichen literarische aufbäumung und selbstbehauptung 1953 1991

geschichte der estnischen literatur von den anfan - Oct 10 2022

web bauernbefreiung vom ausgang des 18 bis über die mitte des 19 jhs guntram philipp 1974 geschichte der estnischen literatur cornelius hasselblatt 2006 es handelt sich um die erste moderne gesamt-darstellung der estnischen literatur von den anfängen bis zur gegenwart sie ist mit ihrem register einem umfangreichen literaturverzeichnis

geschichte der estnischen literatur von den anfan pdf - Apr 16 2023

web sep 17 2023 geschichte der estnischen literatur von den anfan 3 7 downloaded from uniport edu ng on september 17 2023 by guest weg in den herbst uwe berger 2013 08 11 in dieser autobiografie von 1987

[estnische literatur auf deutsch visitestonia com](#) - Jan 13 2023

web cornelius hasselblatt geschichte der estnischen literatur von den anfängen bis zur gegenwart de gruyter berlin 2006 peter petersen hrsg kalevipoeg das estnische nationalepos in der Übersetzung von ferdinand löwe mayer stuttgart 2004 jaan kross der verrückte des zaren

geschichte der estnischen literatur von den anfan copy - Sep 09 2022

web kindly say the geschichte der estnischen literatur von den anfan is universally compatible with any devices to read geschichte der estnischen literatur von den anfan 2022 02 03 gretchen hudson erzählregionen suomalaisen kirjallisuuden seura die vorliegende abhandlung ist aus einem vortrag iiber das thema die ent stehung der

nach dem pipeline angriff an der nato ostgrenze tagesspiegel - Apr 04 2022

web 16 hours ago nur ein kleiner fluss trennt estland vom mächtigen nachbarn russland die furcht vor moskau ist groß wie die östlichste flanke der nato mit der bedrohung umgeht

geschichte der estnischen literatur von den anfan pdf - Nov 11 2022

web geschichte der estnischen literatur estnische literatur in deutscher sprache 1784 2003 festschrift der bei der

kaiserlichen universität dorpat bestehenden gelehrten estnischen gesellschaft zur feier ihres fünfzigjährigen bestehens
geschichte der estnischen literatur von den anfängen bis zur - Feb 14 2023

web dem geld kamen die tränen pdf download seppengel geschichte der estnischen literatur von den anfängen bis
pressestimmen wer die estnische literatur von den anfängen bis zur gegenwart gründlich kennen lernen und ein
nachschatzwerk von format erwerben will sollte sich von dem hohen preis des werkes von c h nicht abschrecken
geschichte der estnischen literatur von den anfängen bis zur - Dec 12 2022

web geschichte der estnischen literatur von den anfängen bis estland ein land zwischen der eu und russland karl august
hermann 150 jahre 1851 1909 free online institut für den öffentlichen sektor public geschichte der estnischen literatur von
den anfängen bis lernen aus der geschichte de widerstand gegen ns herrschaft
geschichte der estnischen literatur von den anfan pdf - May 17 2023

web geschichte der estnischen literatur von den anfan literatur inter und transmedial inter and transmedial literature may 13
2021 literatur oder allgemeiner texte sind nicht erst seit dem 20 jahrhundert inter und transmedial ausgerichtet dennoch ist
es sinnvoll von einer medial reflexiven literatur erst seit dem audiovisuellen
die geschichte der elfen elben arendt anja amazon de - Feb 02 2022

web autorin anja arendt beschreibt sehr informativ die geschichte der elfen als naturgeister aber auch göttliche wesen alten
mythen europas irland skandinavien u a neben einigen zusammenfassungen der berühmtesten legenden gibt es eine
ausführliche betrachtung der geschichte und der entwicklung der elfen in der klassischen
cornelius hasselblatt geschichte der estnischen literatur von den - Aug 20 2023

web cornelius hasselblatt geschichte der estnischen literatur von den anfängen bis zur gegenwart berlin new york walter de
gruyter 2006 869 s cornelius hasselblatt professor für finno ugrische sprachen und kulturen an der rijksuniversiteit
 groningen ist einer der bedeutendsten zeitgenössischen kenner der estnischen literatur
estnische literatur wikipedia - Mar 15 2023

web das älteste erhaltene manuskript ist die handschrift von kullamaa 1524 1532 mit katholischen gebeten und dem
glaubensbekenntnis das älteste teilweise 11 seiten erhaltene estnische buch ist ein zweisprachiger niederdeutsch estnischer
katechismus stammt aus dem jahr 1535 und wurde erst 1929 entdeckt
die entdeckung der fantasie eine kleine geschichte der - May 05 2022

web may 18 2022 modernismus und postmodernismus haben die türkische fantasy literatur vor allem zu beginn der 2000er
jahre beeinflusst die fantasymotive in den romanen beschränkten sich in der folge nicht mehr nur auf kleine magische
elemente sondern zielten auch darauf ab dem leser unwirkliche gegenden menschen und leben vor
geschichte der estnischen literatur von den anfan copy - Aug 08 2022

web may 3 2023 this geschichte der estnischen literatur von den anfan but end going on in harmful downloads rather than enjoying a good pdf following a mug of coffee in the afternoon otherwise they juggled in the manner of some harmful virus inside their computer geschichte der estnischen literatur von den anfan is nearby in our digital library an

nato verstärkt nach pipeline schäden patrouillen in der ostsee - Mar 03 2022

web 1 day ago foto janis laizans reuters die nato hat nach dem schaden an einer gaspipeline zwischen estland und finnland verstärkte patrouillen in der ostsee angekündigt vorgesehen seien zusätzliche

etel adnan wikipedia - Jun 06 2022

web leben etel adnan war die tochter einer griechin und eines syrers der offizier in der osmanischen armee in smyrna gewesen war und wuchs mit griechischer und türkischer muttersprache in einer arabisch sprechenden umwelt auf in dem seinerzeit französisch kontrollierten libanon besuchte sie die katholische französische Mädchenschule und

geschichte der estnischen literatur von den anfan pdf - Jun 18 2023

web geschichte der estnischen literatur von den anfan 1 geschichte der estnischen literatur von den anfan schriften der gelehrten estnischen gesellschaft aufklärung im baltikum estnische literatur in deutscher sprache 1784 2003 boris meissner osteuropa und das völkerrecht kalevipoeg studies estnische literatur in deutscher sprache 1802

geschichte der estnischen literatur von den anfan full pdf - Jul 19 2023

web geschichte der estnischen volkslieder weltgeschichte der literatur verhandlungen der gelehrten estnischen gesellschaft finnisch ugrische forschungen estnische literatur in deutscher sprache 1784 2003 geschichte der estnischen literatur von den anfan downloaded from db csda org by guest emilie kash the code of concord lüneburg

literaturgeschichte wikipedia - Jul 07 2022

web der begriff literaturgeschichte hatte bis mitte des 18 jahrhunderts die bedeutung berichte aus der gelehrten welt und wurde seit etwa 1830 neu definiert als feld der nationalen sprachlich fixierten Überlieferung innerhalb derer die künstlerisch gestalteten werke maßgeblich sind