

CAUTION:

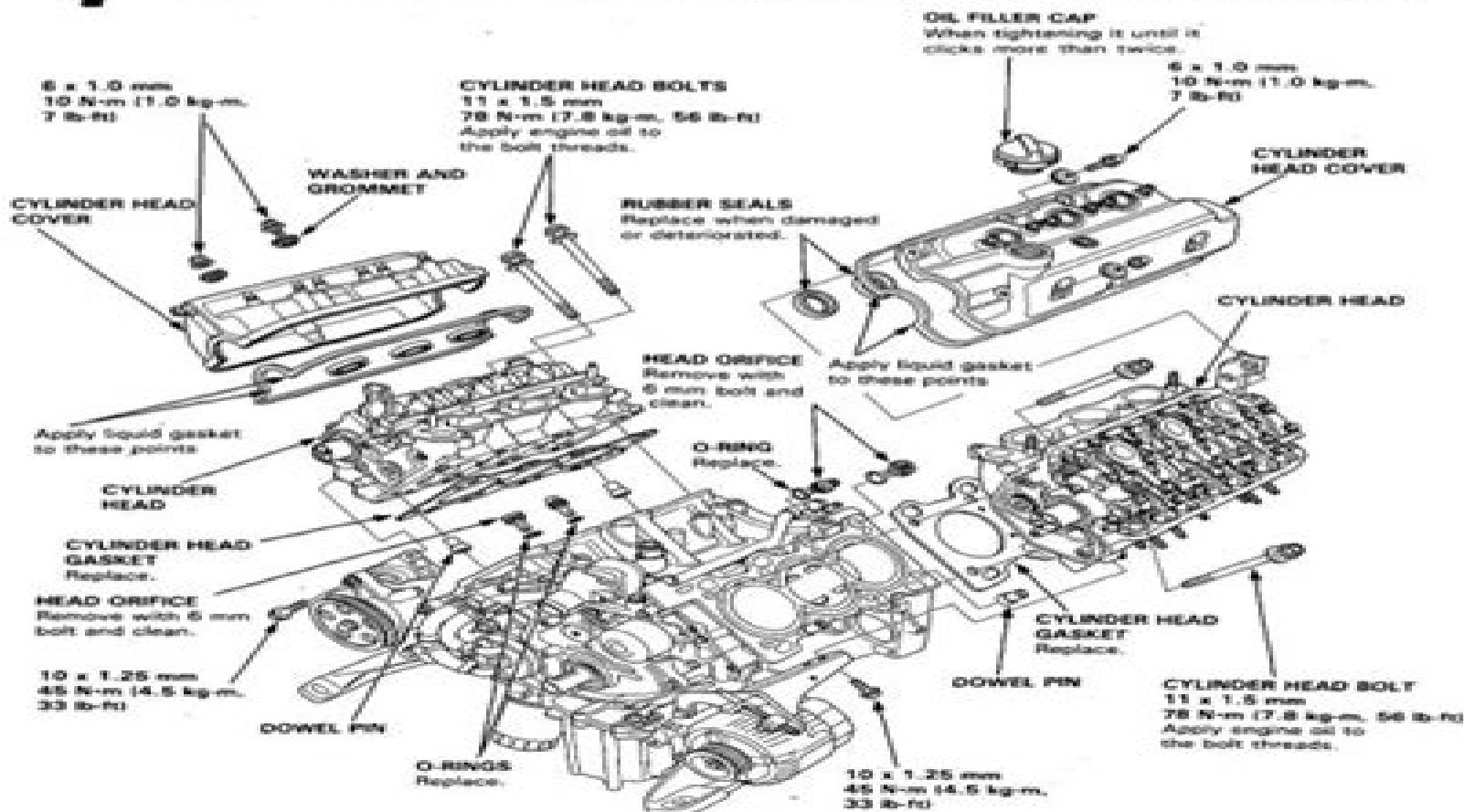
- To avoid damaging the cylinder head, wait until the coolant temperature drops below 35°C (100°F) before removing it.

NOTE:

- Use new O-rings and gaskets when reassembling.
- Use liquid gasket, Part No. 0Y740-99986.



Prior to reassembling, clean all the parts in solvent, dry them, and apply lubricant to any contact parts.



1989 Acura Legend Oil Pump Manua

L Manion



1989 Acura Legend Oil Pump Manua:

Immerse yourself in heartwarming tales of love and emotion with its touching creation, Experience Love's Journey in **1989 Acura Legend Oil Pump Manua** . This emotionally charged ebook, available for download in a PDF format (PDF Size: *), is a celebration of love in all its forms. Download now and let the warmth of these stories envelop your heart.

https://forums.acdsystems.com/public/scholarship/Documents/1999_Johnson_6hp_Outboard_Motor_Manual.pdf

Table of Contents 1989 Acura Legend Oil Pump Manua

1. Understanding the eBook 1989 Acura Legend Oil Pump Manua
 - The Rise of Digital Reading 1989 Acura Legend Oil Pump Manua
 - Advantages of eBooks Over Traditional Books
2. Identifying 1989 Acura Legend Oil Pump Manua
 - Exploring Different Genres
 - Considering Fiction vs. Non-Fiction
 - Determining Your Reading Goals
3. Choosing the Right eBook Platform
 - Popular eBook Platforms
 - Features to Look for in an 1989 Acura Legend Oil Pump Manua
 - User-Friendly Interface
4. Exploring eBook Recommendations from 1989 Acura Legend Oil Pump Manua
 - Personalized Recommendations
 - 1989 Acura Legend Oil Pump Manua User Reviews and Ratings
 - 1989 Acura Legend Oil Pump Manua and Bestseller Lists
5. Accessing 1989 Acura Legend Oil Pump Manua Free and Paid eBooks
 - 1989 Acura Legend Oil Pump Manua Public Domain eBooks
 - 1989 Acura Legend Oil Pump Manua eBook Subscription Services
 - 1989 Acura Legend Oil Pump Manua Budget-Friendly Options
6. Navigating 1989 Acura Legend Oil Pump Manua eBook Formats

- ePub, PDF, MOBI, and More
 - 1989 Acura Legend Oil Pump Manua Compatibility with Devices
 - 1989 Acura Legend Oil Pump Manua Enhanced eBook Features
7. Enhancing Your Reading Experience
 - Adjustable Fonts and Text Sizes of 1989 Acura Legend Oil Pump Manua
 - Highlighting and Note-Taking 1989 Acura Legend Oil Pump Manua
 - Interactive Elements 1989 Acura Legend Oil Pump Manua
 8. Staying Engaged with 1989 Acura Legend Oil Pump Manua
 - Joining Online Reading Communities
 - Participating in Virtual Book Clubs
 - Following Authors and Publishers 1989 Acura Legend Oil Pump Manua
 9. Balancing eBooks and Physical Books 1989 Acura Legend Oil Pump Manua
 - Benefits of a Digital Library
 - Creating a Diverse Reading Collection 1989 Acura Legend Oil Pump Manua
 10. Overcoming Reading Challenges
 - Dealing with Digital Eye Strain
 - Minimizing Distractions
 - Managing Screen Time
 11. Cultivating a Reading Routine 1989 Acura Legend Oil Pump Manua
 - Setting Reading Goals 1989 Acura Legend Oil Pump Manua
 - Carving Out Dedicated Reading Time
 12. Sourcing Reliable Information of 1989 Acura Legend Oil Pump Manua
 - Fact-Checking eBook Content of 1989 Acura Legend Oil Pump Manua
 - Distinguishing Credible Sources
 13. Promoting Lifelong Learning
 - Utilizing eBooks for Skill Development
 - Exploring Educational eBooks
 14. Embracing eBook Trends
 - Integration of Multimedia Elements
 - Interactive and Gamified eBooks

1989 Acura Legend Oil Pump Manua Introduction

1989 Acura Legend Oil Pump Manua Offers over 60,000 free eBooks, including many classics that are in the public domain. Open Library: Provides access to over 1 million free eBooks, including classic literature and contemporary works. 1989 Acura Legend Oil Pump Manua Offers a vast collection of books, some of which are available for free as PDF downloads, particularly older books in the public domain. 1989 Acura Legend Oil Pump Manua : This website hosts a vast collection of scientific articles, books, and textbooks. While it operates in a legal gray area due to copyright issues, its a popular resource for finding various publications. Internet Archive for 1989 Acura Legend Oil Pump Manua : Has an extensive collection of digital content, including books, articles, videos, and more. It has a massive library of free downloadable books. Free-eBooks 1989 Acura Legend Oil Pump Manua Offers a diverse range of free eBooks across various genres. 1989 Acura Legend Oil Pump Manua Focuses mainly on educational books, textbooks, and business books. It offers free PDF downloads for educational purposes. 1989 Acura Legend Oil Pump Manua Provides a large selection of free eBooks in different genres, which are available for download in various formats, including PDF. Finding specific 1989 Acura Legend Oil Pump Manua, especially related to 1989 Acura Legend Oil Pump Manua, might be challenging as theyre often artistic creations rather than practical blueprints. However, you can explore the following steps to search for or create your own Online Searches: Look for websites, forums, or blogs dedicated to 1989 Acura Legend Oil Pump Manua, Sometimes enthusiasts share their designs or concepts in PDF format. Books and Magazines Some 1989 Acura Legend Oil Pump Manua books or magazines might include. Look for these in online stores or libraries. Remember that while 1989 Acura Legend Oil Pump Manua, sharing copyrighted material without permission is not legal. Always ensure youre either creating your own or obtaining them from legitimate sources that allow sharing and downloading. Library Check if your local library offers eBook lending services. Many libraries have digital catalogs where you can borrow 1989 Acura Legend Oil Pump Manua eBooks for free, including popular titles. Online Retailers: Websites like Amazon, Google Books, or Apple Books often sell eBooks. Sometimes, authors or publishers offer promotions or free periods for certain books. Authors Website Occasionally, authors provide excerpts or short stories for free on their websites. While this might not be the 1989 Acura Legend Oil Pump Manua full book , it can give you a taste of the authors writing style. Subscription Services Platforms like Kindle Unlimited or Scribd offer subscription-based access to a wide range of 1989 Acura Legend Oil Pump Manua eBooks, including some popular titles.

FAQs About 1989 Acura Legend Oil Pump Manua Books

How do I know which eBook platform is the best for me? Finding the best eBook platform depends on your reading preferences and device compatibility. Research different platforms, read user reviews, and explore their features before

making a choice. Are free eBooks of good quality? Yes, many reputable platforms offer high-quality free eBooks, including classics and public domain works. However, make sure to verify the source to ensure the eBook credibility. Can I read eBooks without an eReader? Absolutely! Most eBook platforms offer webbased readers or mobile apps that allow you to read eBooks on your computer, tablet, or smartphone. How do I avoid digital eye strain while reading eBooks? To prevent digital eye strain, take regular breaks, adjust the font size and background color, and ensure proper lighting while reading eBooks. What the advantage of interactive eBooks? Interactive eBooks incorporate multimedia elements, quizzes, and activities, enhancing the reader engagement and providing a more immersive learning experience. 1989 Acura Legend Oil Pump Manua is one of the best book in our library for free trial. We provide copy of 1989 Acura Legend Oil Pump Manua in digital format, so the resources that you find are reliable. There are also many Ebooks of related with 1989 Acura Legend Oil Pump Manua. Where to download 1989 Acura Legend Oil Pump Manua online for free? Are you looking for 1989 Acura Legend Oil Pump Manua PDF? This is definitely going to save you time and cash in something you should think about. If you trying to find then search around for online. Without a doubt there are numerous these available and many of them have the freedom. However without doubt you receive whatever you purchase. An alternate way to get ideas is always to check another 1989 Acura Legend Oil Pump Manua. This method for see exactly what may be included and adopt these ideas to your book. This site will almost certainly help you save time and effort, money and stress. If you are looking for free books then you really should consider finding to assist you try this. Several of 1989 Acura Legend Oil Pump Manua are for sale to free while some are payable. If you arent sure if the books you would like to download works with for usage along with your computer, it is possible to download free trials. The free guides make it easy for someone to free access online library for download books to your device. You can get free download on free trial for lots of books categories. Our library is the biggest of these that have literally hundreds of thousands of different products categories represented. You will also see that there are specific sites catered to different product types or categories, brands or niches related with 1989 Acura Legend Oil Pump Manua. So depending on what exactly you are searching, you will be able to choose e books to suit your own need. Need to access completely for Campbell Biology Seventh Edition book? Access Ebook without any digging. And by having access to our ebook online or by storing it on your computer, you have convenient answers with 1989 Acura Legend Oil Pump Manua To get started finding 1989 Acura Legend Oil Pump Manua, you are right to find our website which has a comprehensive collection of books online. Our library is the biggest of these that have literally hundreds of thousands of different products represented. You will also see that there are specific sites catered to different categories or niches related with 1989 Acura Legend Oil Pump Manua So depending on what exactly you are searching, you will be able tochoose ebook to suit your own need. Thank you for reading 1989 Acura Legend Oil Pump Manua. Maybe you have knowledge that, people have search numerous times for their favorite readings like this 1989 Acura Legend Oil Pump Manua, but end up in harmful downloads.

Rather than reading a good book with a cup of coffee in the afternoon, instead they juggled with some harmful bugs inside their laptop. 1989 Acura Legend Oil Pump Manua is available in our book collection an online access to it is set as public so you can download it instantly. Our digital library spans in multiple locations, allowing you to get the most less latency time to download any of our books like this one. Merely said, 1989 Acura Legend Oil Pump Manua is universally compatible with any devices to read.

Find 1989 Acura Legend Oil Pump Manua :

1999 johnson 6hp outboard motor manual

1999 honda cr125r owners manual

1999 yamaha xl 700

1999 yamaha gp1200 service manual

1999 volvo v70 engine

1999 yamaha 40 hp outboard service repair manual

1999 honda elite 80 manual

~~1999 polaris scrambler owners manual~~

~~1999 honda big red 300 manual~~

1999 toyota solara manual

~~1999 brougham user guide~~

1999 mazda protege manual

1999 subaru outback maintenance manual

1999 hyundai excel workshop manua

1999 mercury villager repair manual 19555

1989 Acura Legend Oil Pump Manua :

a critical introduction to queer theory on jstor - Oct 10 2023

web in this chapter we will examine a number of different ways in which same sex relations were understood and experienced in the mid to late twentieth century and touch briefly on the forms of political activism that emerged in the usa the uk and australia

background queer theory libguides at university of illinois at - Sep 28 2022

web oct 4 2021 key concepts in queer theory to help you get a better grasp of some of the big topics that queer theory covers here we introduce three key ideas the

a critical introduction to queer theory archive org - Jun 25 2022

web citation styles for a critical introduction to queer theory how to cite a critical introduction to queer theory for your reference list or bibliography select your

queer perspectives in communication studies oxford research - May 25 2022

web purchase options and add ons this new take on queer theory explores the ways in which sexuality subjectivity and sociality have been discursively produced in various historical

queer theory wikipedia - Nov 30 2022

web queer theory a rough introduction queer theory s origin is hard to clearly define since it came from multiple critical and cultural contexts including feminism post structuralist

a critical introduction to queer theory goodreads - Feb 02 2023

web queer theory is a field of post structuralist critical theory that emerged in the early 1990s out of queer studies often formerly gay and lesbian studies and women s studies

a critical introduction to queer theory desklib - Jan 21 2022

web a critical introduction to queer theory by nikki sullivan published by nyu press imprint nyu press sales date october 2003 240 pages 6 00 x 9 00 in paperback

a critical introduction to queer theory amazon com - Jul 07 2023

web in a critical introduction to queer theory author nikki sullivan offers an incisive and highly accessible overview of this important domain of inquiry and its many applications

nikki sullivan a critical introduction to queer theory - Mar 03 2023

web jan 1 2003 a critical introduction to queer theory nikki sullivan 3 76 349 ratings26 reviews explores the ways in which sexuality subjectivity and sociality have been

by nikki sullivan edinburgh edinburgh university press 2003 - Jun 06 2023

web this new take on queer theory explores the ways in which sexuality subjectivity and sociality have been discursively produced in various historical and cultura

a critical introduction to queer theory nyu press - Nov 18 2021

library research guides philosophy introduction to - Jan 01 2023

web may 31 2003 contents introduction 1 the social construction of same sex desire sin crime sickness 2 assimilation or

liberation sexuality or gender 3 queer a question

a critical introduction to queer theory google books - Dec 20 2021

a critical introduction to queer theory by sullivan nikki - Mar 23 2022

web a critical introduction to queer theory added on 2022 09 18 6 pages 1340 words 19 views trusted by 2 million users 1000 happy students everyday subscribe now

a critical introduction to queer theory semantic scholar - Oct 30 2022

web queer theory critically examines the way power works to institutionalize and legitimate certain forms and expressions of sexuality and gender while stigmatizing others queer

introduction to queer theory school of critical arts - Feb 19 2022

web sullivan goes on to provide a detailed overview of the complex ways in which queer theory has been employed covering a diversity of key topics including race sadomasochism

wgss 392q introduction to queer theory umass amherst - Aug 28 2022

web a critical introduction to queer theory by sullivan nikki 1962 publication date 2003 topics homosexuality philosophy queer theory publisher new york new york

a critical introduction to queer theory perlego - Apr 23 2022

web amy hickman and keegan martens 6 week online course mondays 3pm 5pm awst november 15 december 20 this course will provide a critical introduction to queer

a critical introduction to queer theory google books - Apr 04 2023

web a critical introduction to queer theory nikki sullivan new york new york university press 2003 copy bibtex abstract this book is a succinct pedagogically designed

a critical introduction to queer theory google books - Aug 08 2023

web oct 1 2003 a critical introduction to queer theory 9 15 03 edition the book begins by putting gay and lesbian sexuality and politics in historical context and demonstrates how

what is queer theory why is it important lgbtq nation - Jul 27 2022

web feb 26 2018 for those interested in practicing queer criticism in communication studies however the varied aims and objects of queer theory have frustrated attempts to

a critical introduction to queer theory on jstor - May 05 2023

web the book begins by putting gay and lesbian sexuality and politics in historical context and demonstrates how and why queer theory emerged in the west in the late twentieth

a critical introduction to queer theory de gruyter - Sep 09 2023

web nikki sullivan nyu press 2003 social science 232 pages a critical introduction to queer theory explores the ways in which sexuality subjectivity and sociality have been

the human superorganism of microbes and men sciencedirect - Aug 02 2022

web colony of microbes is called the human microbiome and it has been the focus of intense research efforts over the last decade the microbiome influences human health or

superorganism launches vc firm addressing the global - Aug 22 2021

superorganism wants to be the conservationist on the cap table - Sep 22 2021

the human superorganism how the microbiome is rev - Feb 08 2023

web english 1 online resource includes bibliographical references and index the end of the old biology superorganism ecology the invisible human superorganism the

the human superorganism how the microbiome is rev - Sep 03 2022

web sep 1 2014 the discovery of the human microbiome the collection of microbial ecosystems that colonize virtually every external and internal body surface has forever

the superorganism revolution american scientist - Jan 07 2023

web microbiome feb 18 2022 learn the secret to total lifelong health the teeming world of microbes inside and all around us modern day science has allowed us to prolong and

how microbiomes and the smells they produce help shape - Nov 24 2021

web the human superorganism how the microbiome is rev pdf upload donald d grant 2 3 downloaded from elections freep com on august 1 2023 by donald d grant from the

the human superorganism of microbes and men pubmed - May 31 2022

web sep 12 2023 oral microbiome studies have shown that there is a diverse set of more than 700 bacterial species 10 human oral microbiome database drawn largely from a

the superorganism revolution request pdf researchgate - Apr 29 2022

web 2 the human superorganism how the microbiome is rev 2019 10 24 and children to propose a new framework for psychological growth between birth and seven years of

the human microbiome superorganism and its - Dec 06 2022

web feb 1 2010 in this respect the human body can be considered a superorganism a communal group of human and

microbial cells all working for the benefit of the collective

the human superorganism how the microbiome is rev - Mar 29 2022

web sep 11 2023 the human microbiome is a treasure trove waiting to be unlocked jul 15 2019 host genetics shown to play a significant role in the composition of switchgrass

the human superorganism how the microbiome is rev pdf - Apr 10 2023

web these chapters cover the composition diversity dynamics and functions of human microbiome in health and disease this book will form an excellent and informative text

the human superorganism how the microbiome is rev 2023 - Jul 01 2022

web psychologists and psychiatrists tend to be little aware that a microbes in our brains and guts are capable of altering our behavior b viral dna that was incorporated into our

the oral microbiome diversity biogeography and human health - Jan 27 2022

web 2 days ago superorganism is currently targeting 25 million for its first fund according to the firm declined to comment on fundraising the firm will invest in pre seed and seed

the human superorganism how the microbiome is booktopia - Oct 24 2021

the human microbiome superorganism and its - May 11 2023

web jul 12 2016 the microbiome contributes significantly to individual differences between us while humans are relatively homogeneous in their genetic makeup we vary greatly in the

humans as superorganisms how microbes viruses imprinted - Feb 25 2022

web award winning researcher on the microbiome professor rodney dietert presents a new paradigm in human biology that has emerged in the midst of the ongoing global

the human superorganism how the microbiome is - Oct 04 2022

web abstract albert einstein once said that the true value of a human being can be found in the degree to which he has attained liberation from the self for years our traditional view of

the human superorganism how the microbiome is - Mar 09 2023

web the human being is the result of the integration of its genome and the coexistence with millions of microorganisms throughout its evolutionary history human microbiome

the human superorganism how the microbiome is - Nov 05 2022

web the human superorganism how the microbiome is rev microbial endocrinology the microbiota gut brain axis in health and disease may 05 2021 the field of microbial

[the human superorganism how the microbiome is rev pdf](#) - Dec 26 2021

web sep 15 2023 usa published on september 15 2023 ny based superorganism has launched as venture capital firm supporting early stage technology startups dedicated to

the human superorganism how the microbiome is revoluti - Jul 13 2023

web human microbiome association can be considered a step of integration in evolution constituting a superorganism many emergent diseases are related to the loss of part of

the human microbiome in the 21st century nature - Jun 12 2023

web the human superorganism how the microbiome is rev human microbiome may 22 2023 the human microbiome refers to the complete microorganisms inhabiting the

the human superorganism how the microbiome is rev pdf - Jul 21 2021

[the human superorganism how the microbiome is](#) - Aug 14 2023

web oct 16 2020 the human microbiome in the 21 st century the human microbiome in the 21 st century the human body supports a thriving diversity of microbes which

love never dies sheet music to download and print free - Oct 05 2022

web only for you from love never dies piano vocal guitar piano vocal and guitar only for you from love never d musicnotes sheet music for only for you from love never dies arranged for piano vocal guitar in c major digital sheet music from musicnotes 5 79 5 41

[love never dies sheet music plus](#) - Jan 08 2023

web love never dies by andrew lloyd webber and glenn slater softcover sheet music for piano accompaniment piano vocal voice buy print music hl 276502 sheet music plus

love never dies from love never dies sheet music easy - Feb 26 2022

web print and download sheet music for love never dies from love never dies sheet music arranged for easy piano and 5 finger piano in c major

love never dies musical pdf vocal music theatre scribd - Jun 01 2022

web love never dies musical love never dies is a romantic musical composed by story goes andrew lloyd webber with lyrics by glenn slater and a book by lloyd webber ben elton frederick forsyth and slater it is a sequel to the long running musical the phantom of the opera loosely adapted from the 1999 novel the phantom of manhattan by forsyth

love never dies from love never dies sheet music easy - Nov 06 2022

web print and download sheet music for love never dies from love never dies sheet music arranged for easy piano in bb major

love never dies piano vocal selections scribd - May 12 2023

web jun 1 2018 love never dies piano vocal selections by andrew lloyd webber and glenn slater 4 5 4 ratings 1 song vocal selections 13 songs from this broadway musical which served as the sequel to the mega hit the phantom of the opera arranged in standard piano vocal format with the melody included in the piano part

love never dies piano vocal selections sheet music vocal - Mar 10 2023

web love never dies piano vocal selections series vocal selections format softcover composers andrew lloyd webber glenn slater 13 songs from this broadway musical which served as the sequel to the mega hit the phantom of the opera arranged in standard piano vocal format with the melody included in the piano part

sheet music love never dies piano voice free scores com - Sep 04 2022

web andrew lloyd webber glenn slater love never dies mixed choir a cappella vocal choral satb vocal score hal leonard

[andrew lloyd webber love never dies sheet music download](#) - Aug 03 2022

web andrew lloyd webber love never dies sheet music arranged for piano vocal guitar right hand melody and includes 7 page s the style of the score is musical show catalog sku number of the notation is 101456 the arrangement code for the composition is pvgrhm minimum required purchase quantity for these notes is 1

love never dies from love never dies sheet music in bb - Jul 14 2023

web print and download love never dies sheet music from love never dies sheet music arranged for piano vocal chords in bb major transposable

love never dies sheet music andrew lloyd webber piano vocal - Dec 07 2022

web download and print love never dies sheet music for piano vocal guitar chords right hand melody by andrew lloyd webber from sheet music direct

[love never dies sheet music plus](#) - Jul 02 2022

web love never dies by book only sheet music for piano vocal and guitar buy print music hl 313555 sheet music plus 0 offers perks love never dies phantom the story continues click to enlarge look inside 3 instrument piano vocal guitar voice guitar publisher hal leonard available instantly price 2 99 quantity

[love never dies pdf free sheet music free scores com](#) - Mar 30 2022

web love never dies instruments violin fiddle 14 viola 13 cello violoncello 13 choir vocal 11 piano 10 organ orgao 5 13 instruments level not defined to evaluate 18 beginner 2 easy 0 intermediate 18 advanced 3 expert 4 genres romantic 12 baroque 8 instructional 6 modern classical 5 classical 4 hymn sacred 3 christmas

[love never dies sheet music musicnotes com](#) - Aug 15 2023

web browse our 7 arrangements of love never dies sheet music is available for piano voice piano accompaniment and 4

others with 5 scorings and 3 notations in 3 genres find your perfect arrangement and access a variety of transpositions so you can print and play instantly anywhere

[love never dies voice sheet music musicnotes com](#) - Feb 09 2023

web download sheet music for love never dies choose from love never dies sheet music for such popular songs as til i hear you sing love never dies and beneath a moonless sky print instantly or sync to our free pc web and mobile apps

love never dies sheet music downloads at musicnotes com - Jun 13 2023

web download sheet music for love never dies choose from love never dies sheet music for such popular songs as til i hear you sing love never dies and look with your heart print instantly or sync to our free pc web and mobile apps

love never dies pdf scribd - Jan 28 2022

web love never dies free download as pdf file pdf text file txt or read online for free

love never dies sheet music - Dec 27 2021

web looking for love never dies sheet music you ll find a wide selection of love never dies sheet music songbooks and music books at sheet music plus

view love never dies sheet music sheet music direct - Apr 30 2022

web love never dies sheet music audio titles matching love never dies are listed below you can also filter the results to find the exact arrangement you re looking for

love never dies piano vocal selections pdf zoboko com - Apr 11 2023

web vocal selections 13 songs from this broadway musical which served as the sequel to the mega hit the phantom of the opera arranged in standard piano vocal format with the melody included in the piano part includes bathing beauty once upon another time beautiful the beauty underneath beneath a moonless sky the coney island waltz