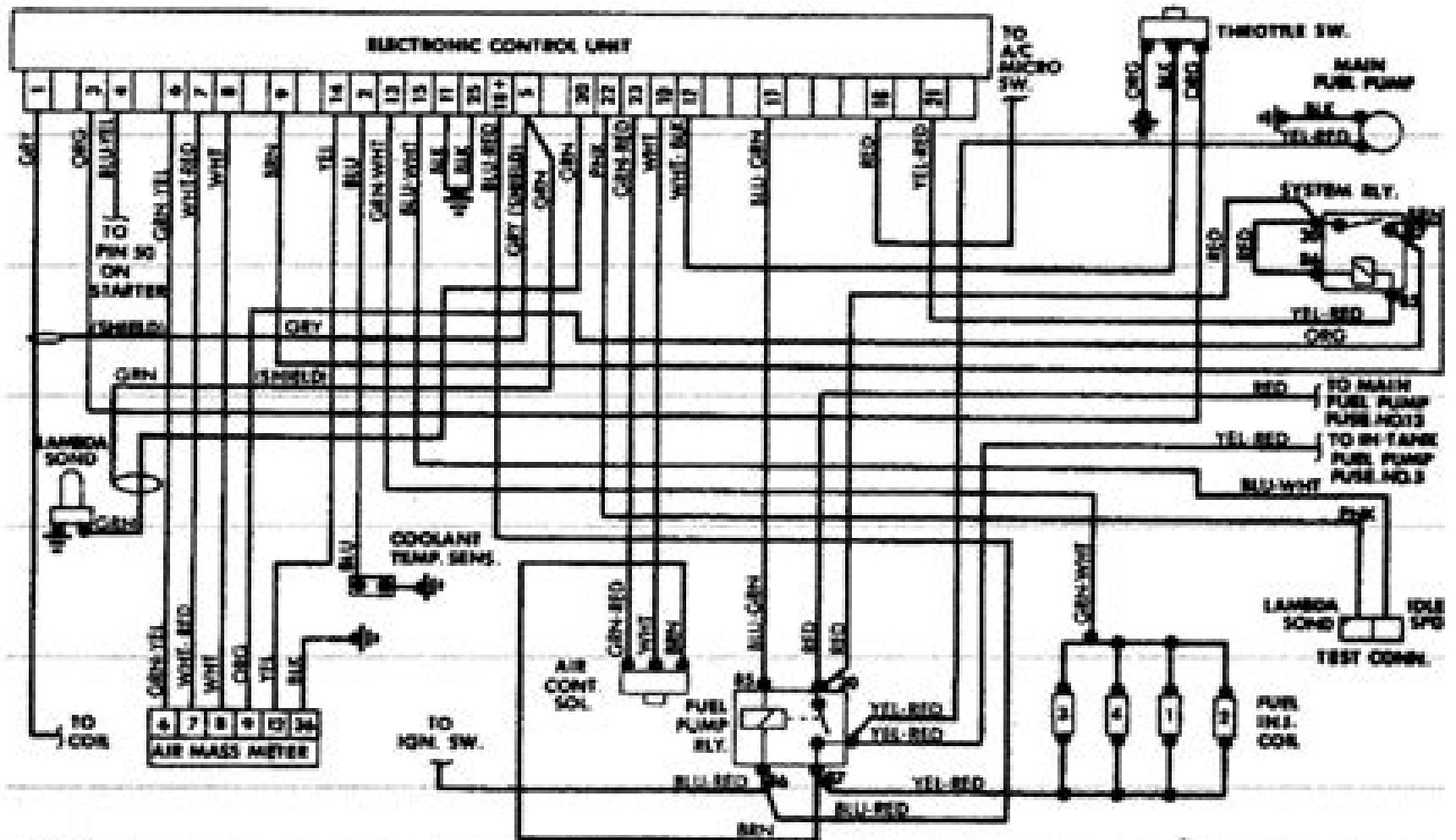


WIRING DIAGRAMS

Fig. 3: Fuel Injection System Wiring Diagram (Bosch LH Jetronic II)
1984 Volvo 240DL/GL



1989 240 Volvo Wiring Diagram

Ray Hoy



1989 240 Volvo Wiring Diagram:

Volvo 240 Service Manual 1983 Through 1993 Bentley Publishers,1993 Vehicle Maintenance Volvo
240/740/760/780/940/960 1990-93 Repair Manual ,1994 *Gale's Auto Sourcebook* ,1992 Guide to information on cars and
light trucks **Volvo Service-repair Handbook** Ray Hoy,1978 *Subject Guide to Children's Books in Print 1997* Bowker
Editorial Staff,R R Bowker Publishing,1996-09 **Cars & Parts** ,1993 **Lemon-Aid Used Car Guide 1996** Phil
Edmonston,1995-09 **Subject Guide to Books in Print** ,1997 **Ward's Automobile Topics** ,1969 **Scientific and**
Technical Books and Serials in Print ,1989 1983 Imported Cars & Trucks Tune-up Mechanical Service & Repair
Mitchell Manuals, inc,1984 *Road and Track* ,1995 Mobile Home Journal ,1968 Floyd Clymer's Auto Topics ,1968
Volvo Wiring Diagrams 240 Volvo North American Corp,1980 *Homebrew Wind Power* Dan Bartmann,Dan
Fink,2009 An illustrated guide to building and installing a wind turbine and understanding how the energy in moving air is
transformed into electricity **Car and Driver** ,1995 **Forthcoming Books** Rose Army,1993-04 Books in Print ,1991
Popular Science ,1977

Discover tales of courage and bravery in is empowering ebook, **1989 240 Volvo Wiring Diagram** . In a downloadable PDF format (*), this collection inspires and motivates. Download now to witness the indomitable spirit of those who dared to be brave.

https://forums.acdsystems.com/public/book-search/default.aspx/Atsg_Zf5hp19fl_Service_Guide.pdf

Table of Contents 1989 240 Volvo Wiring Diagram

1. Understanding the eBook 1989 240 Volvo Wiring Diagram
 - The Rise of Digital Reading 1989 240 Volvo Wiring Diagram
 - Advantages of eBooks Over Traditional Books
2. Identifying 1989 240 Volvo Wiring Diagram
 - Exploring Different Genres
 - Considering Fiction vs. Non-Fiction
 - Determining Your Reading Goals
3. Choosing the Right eBook Platform
 - Popular eBook Platforms
 - Features to Look for in an 1989 240 Volvo Wiring Diagram
 - User-Friendly Interface
4. Exploring eBook Recommendations from 1989 240 Volvo Wiring Diagram
 - Personalized Recommendations
 - 1989 240 Volvo Wiring Diagram User Reviews and Ratings
 - 1989 240 Volvo Wiring Diagram and Bestseller Lists
5. Accessing 1989 240 Volvo Wiring Diagram Free and Paid eBooks
 - 1989 240 Volvo Wiring Diagram Public Domain eBooks
 - 1989 240 Volvo Wiring Diagram eBook Subscription Services
 - 1989 240 Volvo Wiring Diagram Budget-Friendly Options
6. Navigating 1989 240 Volvo Wiring Diagram eBook Formats

- ePub, PDF, MOBI, and More
 - 1989 240 Volvo Wiring Diagram Compatibility with Devices
 - 1989 240 Volvo Wiring Diagram Enhanced eBook Features
7. Enhancing Your Reading Experience
 - Adjustable Fonts and Text Sizes of 1989 240 Volvo Wiring Diagram
 - Highlighting and Note-Taking 1989 240 Volvo Wiring Diagram
 - Interactive Elements 1989 240 Volvo Wiring Diagram
 8. Staying Engaged with 1989 240 Volvo Wiring Diagram
 - Joining Online Reading Communities
 - Participating in Virtual Book Clubs
 - Following Authors and Publishers 1989 240 Volvo Wiring Diagram
 9. Balancing eBooks and Physical Books 1989 240 Volvo Wiring Diagram
 - Benefits of a Digital Library
 - Creating a Diverse Reading Collection 1989 240 Volvo Wiring Diagram
 10. Overcoming Reading Challenges
 - Dealing with Digital Eye Strain
 - Minimizing Distractions
 - Managing Screen Time
 11. Cultivating a Reading Routine 1989 240 Volvo Wiring Diagram
 - Setting Reading Goals 1989 240 Volvo Wiring Diagram
 - Carving Out Dedicated Reading Time
 12. Sourcing Reliable Information of 1989 240 Volvo Wiring Diagram
 - Fact-Checking eBook Content of 1989 240 Volvo Wiring Diagram
 - Distinguishing Credible Sources
 13. Promoting Lifelong Learning
 - Utilizing eBooks for Skill Development
 - Exploring Educational eBooks
 14. Embracing eBook Trends
 - Integration of Multimedia Elements
 - Interactive and Gamified eBooks

1989 240 Volvo Wiring Diagram Introduction

Free PDF Books and Manuals for Download: Unlocking Knowledge at Your Fingertips In today's fast-paced digital age, obtaining valuable knowledge has become easier than ever. Thanks to the internet, a vast array of books and manuals are now available for free download in PDF format. Whether you are a student, professional, or simply an avid reader, this treasure trove of downloadable resources offers a wealth of information, conveniently accessible anytime, anywhere. The advent of online libraries and platforms dedicated to sharing knowledge has revolutionized the way we consume information. No longer confined to physical libraries or bookstores, readers can now access an extensive collection of digital books and manuals with just a few clicks. These resources, available in PDF, Microsoft Word, and PowerPoint formats, cater to a wide range of interests, including literature, technology, science, history, and much more. One notable platform where you can explore and download free 1989 240 Volvo Wiring Diagram PDF books and manuals is the internet's largest free library. Hosted online, this catalog compiles a vast assortment of documents, making it a veritable goldmine of knowledge. With its easy-to-use website interface and customizable PDF generator, this platform offers a user-friendly experience, allowing individuals to effortlessly navigate and access the information they seek. The availability of free PDF books and manuals on this platform demonstrates its commitment to democratizing education and empowering individuals with the tools needed to succeed in their chosen fields. It allows anyone, regardless of their background or financial limitations, to expand their horizons and gain insights from experts in various disciplines. One of the most significant advantages of downloading PDF books and manuals lies in their portability. Unlike physical copies, digital books can be stored and carried on a single device, such as a tablet or smartphone, saving valuable space and weight. This convenience makes it possible for readers to have their entire library at their fingertips, whether they are commuting, traveling, or simply enjoying a lazy afternoon at home. Additionally, digital files are easily searchable, enabling readers to locate specific information within seconds. With a few keystrokes, users can search for keywords, topics, or phrases, making research and finding relevant information a breeze. This efficiency saves time and effort, streamlining the learning process and allowing individuals to focus on extracting the information they need. Furthermore, the availability of free PDF books and manuals fosters a culture of continuous learning. By removing financial barriers, more people can access educational resources and pursue lifelong learning, contributing to personal growth and professional development. This democratization of knowledge promotes intellectual curiosity and empowers individuals to become lifelong learners, promoting progress and innovation in various fields. It is worth noting that while accessing free 1989 240 Volvo Wiring Diagram PDF books and manuals is convenient and cost-effective, it is vital to respect copyright laws and intellectual property rights. Platforms offering free downloads often operate within legal boundaries, ensuring that the materials they provide are either in the public domain or authorized for distribution. By adhering to copyright laws, users can enjoy the benefits of free access to knowledge while supporting the authors and

publishers who make these resources available. In conclusion, the availability of 1989 240 Volvo Wiring Diagram free PDF books and manuals for download has revolutionized the way we access and consume knowledge. With just a few clicks, individuals can explore a vast collection of resources across different disciplines, all free of charge. This accessibility empowers individuals to become lifelong learners, contributing to personal growth, professional development, and the advancement of society as a whole. So why not unlock a world of knowledge today? Start exploring the vast sea of free PDF books and manuals waiting to be discovered right at your fingertips.

FAQs About 1989 240 Volvo Wiring Diagram Books

1. Where can I buy 1989 240 Volvo Wiring Diagram books? Bookstores: Physical bookstores like Barnes & Noble, Waterstones, and independent local stores. Online Retailers: Amazon, Book Depository, and various online bookstores offer a wide range of books in physical and digital formats.
2. What are the different book formats available? Hardcover: Sturdy and durable, usually more expensive. Paperback: Cheaper, lighter, and more portable than hardcovers. E-books: Digital books available for e-readers like Kindle or software like Apple Books, Kindle, and Google Play Books.
3. How do I choose a 1989 240 Volvo Wiring Diagram book to read? Genres: Consider the genre you enjoy (fiction, non-fiction, mystery, sci-fi, etc.). Recommendations: Ask friends, join book clubs, or explore online reviews and recommendations. Author: If you like a particular author, you might enjoy more of their work.
4. How do I take care of 1989 240 Volvo Wiring Diagram books? Storage: Keep them away from direct sunlight and in a dry environment. Handling: Avoid folding pages, use bookmarks, and handle them with clean hands. Cleaning: Gently dust the covers and pages occasionally.
5. Can I borrow books without buying them? Public Libraries: Local libraries offer a wide range of books for borrowing. Book Swaps: Community book exchanges or online platforms where people exchange books.
6. How can I track my reading progress or manage my book collection? Book Tracking Apps: Goodreads, LibraryThing, and Book Catalogue are popular apps for tracking your reading progress and managing book collections. Spreadsheets: You can create your own spreadsheet to track books read, ratings, and other details.
7. What are 1989 240 Volvo Wiring Diagram audiobooks, and where can I find them? Audiobooks: Audio recordings of books, perfect for listening while commuting or multitasking. Platforms: Audible, LibriVox, and Google Play Books offer a wide selection of audiobooks.

8. How do I support authors or the book industry? Buy Books: Purchase books from authors or independent bookstores. Reviews: Leave reviews on platforms like Goodreads or Amazon. Promotion: Share your favorite books on social media or recommend them to friends.
9. Are there book clubs or reading communities I can join? Local Clubs: Check for local book clubs in libraries or community centers. Online Communities: Platforms like Goodreads have virtual book clubs and discussion groups.
10. Can I read 1989 240 Volvo Wiring Diagram books for free? Public Domain Books: Many classic books are available for free as they're in the public domain. Free E-books: Some websites offer free e-books legally, like Project Gutenberg or Open Library.

Find 1989 240 Volvo Wiring Diagram :

[atg zf5hp19fl service guide](#)

[ati labuduwa hnda past paper](#)

[atomic structure periodic table answers](#)

atm machine context diagram

[ati comprehensive predictor test bank 24](#)

[atg af23 33 5 manual](#)

[atomic structure test questions](#)

[ati nursing pharmacology test bank 23](#)

[atomic structure worksheet answers](#)

[atkins 8th edition solutions manual](#)

[atls training manual](#)

[ati mental health proctored](#)

[ati radeon hd24pro owners manual](#)

atlas copco air compressor service manual

[atampt lg phone manual](#)

1989 240 Volvo Wiring Diagram :

convert between cups pints quarts and gallons worksheets - Jun 14 2023

web conversion between cups and pints gain mastery in converting between cups and pints with these printable worksheets

for 3rd grade 4th grade and 5th grade to convert pints to cups multiply the value by 2 to convert cups into pints divide the value by 2

[word problems converting gallon cups pints pdf uniport edu](#) - Feb 27 2022

web aug 10 2023 word problems converting gallon cups pints 1 14 downloaded from uniport edu ng on august 10 2023 by guest word problems converting gallon cups pints when somebody should go to the book stores search introduction by shop shelf by shelf it is essentially problematic this is why we provide the book compilations in this

[grade 5 worksheet convert volumes cups pints quarts and gallons](#) - Dec 28 2021

web measurement worksheets convert volumes between cups pints quarts and gallons below are six versions of our grade 5 math worksheet on converting units of volume including cups pints quarts and gallons these worksheets are pdf files

worksheet 1 worksheet 2 worksheet 3 worksheet 4 worksheet 5 worksheet 6

volume and capacity word problems customary units k5 learning - Dec 08 2022

web 1 1 quart 2 pints 32 oz 32 4 4 the pot can hold 4 cans of soup 2 3 cups 24 oz 24 3 27 the volume of the mixture is 27 oz 3 12 x 12 144 144 16 9 144 oz 9 pints there are 9 pints of milk in the bowl 4 1 gallon 16 cups 2 quarts 8 cups

word problem khan academy help center - Mar 31 2022

web jul 16 2018 a tank initially contains 7 gallons of water a faucet is opened and water begins pouring into the tank at a rate of 1 5 gallons per minute until the tank is full which of the following represents the volume v of water in gallons in the tank as a function of time t in minutes that has elapsed since the faucet was opened $a v t 1 5 t$

[volume word problems mathinenglish com](#) - Jan 09 2023

web solve the following word problems show number sentence and your workings 1 how many pints of milk do you need to drink to finish 100 x 4 40 360 quarts or 90 gallons 11 x 2 12 10 pints or 5 quarts 3 x 4 x 2 24 pints 125 x 4 600 quarts 2 x 5 x 7 70 pints 35 quarts

[super teacher worksheets thousands of printable activities](#) - Nov 07 2022

web super teacher worksheets thousands of printable activities

word problems converting gallon cups pints - Jul 03 2022

web word problems converting gallon cups pints lesson 11 measurement and units of measure may 7th 2018 lesson 11 measurement and units of measure d legault minnesota literacy council 2014 2 mathematical reasoning the purpose of the ged test is to provide students with the skills necessary to either further their education or

[convert between cups pints quarts and gallons k5 learning](#) - May 13 2023

web below are six versions of our grade 4 math worksheet on converting customary units of volume including cups pints quarts and gallons these worksheets are pdf files worksheet 1 worksheet 2 worksheet 3 worksheet 4 worksheet 5 worksheet

6

[converting gallons to quarts pints cups video khan academy](#) - Aug 16 2023

web abouttranscript learn how to convert us customary units of volume gallons quarts pints and cups we see the conversion process using an example of converting 3 and 1 2 gallons into cups emphasizing the relationships between the units created by sal khan and monterey institute for technology and education

word problems converting gallon cups pints book harvard - Jul 15 2023

web word problems converting gallon cups pints u can basic math and pre algebra for dummies nov 02 2019 the fun and friendly guide to really understanding math u can basic math pre algebra for dummies is the fun friendly guide to making sense of math it walks you through the how and why to help you master the crucial operations

converting cups pints and gallons teaching resources tpt - Sep 05 2022

web these 30 task cards focus on converting between customary units of liquid volume including fluid ounces cups pints quarts and gallons to help with differentiation these task cards become harder as the numbers increase this set aligns with lesson 12 4 of the 4th grade go math curriculum

capacity worksheets gallons quarts pints and cups - Oct 06 2022

web capacity word problems students use their knowledge of capacity to answer the questions 2nd through 4th grades view pdf converting cups pints quarts and gallons practice converting between cups pints quarts and gallons the worksheet includes two word problems 2nd through 4th grades view pdf conversion variety

muptelacokyer word problems converting gallon cups pints - Jan 29 2022

web convert unit rates word problems 1 gallon 16 cups 1 gallon 8 pints 1 gallon 4 quarts 1 quart 2 pints 1 quart 4 cups 1 pint 2 cups practice problems problem 1 source i pinimg com grade 4 measurement worksheets on converting between cups pints quarts and gallons free math worksheets from k5 learning

capacity word problems mixed units k5 learning - Mar 11 2023

web 1 can 2 pints 2 cartons 3 bottles 6 cans 2 14 3 12 6 2 76 pints 9 5 gallons josh made 9 5 gallons of fruit punch 3 5 x 8 oz 40 oz 40 24 5 3 12 3 12 3 oz of cream is used for each small bowl of soup 4 1 5 gallon 6 quarts 12 pints 24 cups 9 quarts 18 pints 36 cups 24 36 60 there are 60 cups of lemonade in

converting gallons quarts pints and cups thoughtco - Feb 10 2023

web mar 23 2018 learn to convert between gallons quarts pints and cups using these measurement conversion worksheets *fraction word problems 2 sample problems mathscore* - May 01 2022

web sample problems for fraction word problems 2 complexity 4 mode simple solve give the answer in simplest form sharon had 3 5 8 gallons of paint and used only 7 8 of that for a poster how many gallons of paint did she use there are 6 cups at a

party and 1 2 are green how many cups at the party are not green cups solution 6

results for cups pints quarts gallons tpt - Jun 02 2022

web there are activities such as designing your own king gallon and converting measurements to find the missing king assessments include pre assessments formative assessments summative assessments and self reflection answer sheets

included vocabulary cards for capacity volume gallon quart pint cup

converting cups pints quarts and gallons tpt - Aug 04 2022

web this colorful animated powerpoint provides excellent support in your teaching on converting cups into pints pints into quarts quarts into gallons etc etc if you like this you may also like 1st grade sight word practice common core full year of instruction 2nd grade sight word practice common core full year of instruction 3rd

convert cups pints quarts and gallons worksheets tutoring - Apr 12 2023

web have you ever given a thought to the number of cups you can fill with 1 gallon of juice let s help you with that you can fill 16 cups with 1 gallon of liquid 4 cups with a quart and just 2 cups with a pint isn t it then a great idea to learn conversions right away with our pdf worksheets on the conversion of these units of volume

social skills training for kids divided by age group - Nov 24 2022

web nov 26 2021 to build healthy relationships with other people and enjoy good mental health children need to understand social rules and develop a range of social skills 1 including emotional regulation good manners and conflict resolution

development of social skills in children neural and behavioral - Sep 03 2023

web sep 29 2015 social skills refer to a wide group of abilities that allow us to interact and communicate with others children learn how to solve social situations by predicting and understanding other s behaviors

social skills for children social smartness is an impo - Apr 17 2022

web social smartness is an integral part of ones personality and being good at this has a huge advantage in this competitive world this book covers social etiquettes conversation skills and telephone manners through a combination of

social skills kid sense child development - Sep 22 2022

web social skills are the skills we use everyday to interact and communicate with others they include verbal and non verbal communication such as speech gesture facial expression and body language

social skills for children social smartness is an important part of - Jun 19 2022

web social skills for children social smartness is an important part of your personality ebook pahade mili pahade prasanna amazon in books

development of social skills during middle childhood growth - May 19 2022

web may 12 2020 this study examined the development of social skills across five measurement points from 4 th through 7

th grade and the influence of child gender and school related factors on the level and growth of social skills in a large sample of normally developing children in norway n 2 076

the importance of social skills raising a socially intelligent child - Apr 29 2023

web social skills might include things like initiating conversations making friends having good sportsmanship and handling bullying effectively social skills are one of the most important

7 important social skills nursery children learn in singapore - Aug 22 2022

web apr 9 2020 friendship skills are honed as children collaborate in in class activities go on excursions and do free play together along the way your child will find good friends and learn to be a good friend 5 conflict resolution and flexibility with friends there are bound to

children free full text development of social skills in - Feb 13 2022

web sep 29 2021 social skills acquired during early childhood are often the foundation for success later in life using a nationwide survey dataset in japan this study aims to explore the multiple growth trajectories of social skills among children in kindergarten by using a latent class growth modeling approach

social skills for children social smartness is an ileen phorng - Mar 17 2022

web merely said the social skills for children social smartness is an is universally compatible with any devices to read ways to teach social skills in your classroom jacquelyne faz 2021 07 03 many students struggle to learn important social skills like interacting positively with others and starting conversations the time spent on lecturing

7 important social skills for kids and how to teach them - Oct 04 2023

web sep 21 2022 7 social skills you can start teaching your child now benefits social skills give kids a wide range of benefits they are linked to greater success in school and better sharing a willingness to share a snack or a toy can go a long way to helping kids make and keep friends according to a

amazon com social skills for children social smartness is an - Jul 01 2023

web dec 22 2016 this book covers social etiquettes conversation skills and telephone manners through a combination of concept demo videos and practice exercises so take your child on the journey of social smartness and give her a lifetime advantage

[the importance of developing social skills for children](#) - Feb 25 2023

web social skills for children refers to communication and interactions skills using speech gestures body language and facial expressions children engage in social skills daily by the way they behave with others their peers and the people around them they learn to communicate positively by making friends and keeping those friendships

social skills in children at home and in preschool pmc - Dec 26 2022

web jul 8 2019 data regarding children social skills were collected from the parents and teachers perspectives as reliable sources of information about children s development therefore our findings can improve the international knowledge of social skills in children and gender differences affecting children s adjustment

social skills training for kids top resources for teachers - Jan 27 2023

web apr 26 2021 positive education 20 sep 2023 social skills training for kids top resources for teachers 26 apr 2021 by gabriella lancia ph d scientifically reviewed by tiffany sauber millacci ph d school is a place where children and adolescents go to become educated academically and socially

what are social skills in children study com - Jul 21 2022

web 34k views social development children come into the world immediately relying on others several months after their birth they begin to be aware of themselves as individuals with personal

download free social skills for children social smartness is an - May 31 2023

web social skills for children social smartness is an child welfare aug 25 2020 child welfare preparing social workers for practice in the field is a comprehensive text for child welfare courses taught from a social work perspective this textbook provides a single source for all material necessary for a contextual child welfare course

13 social skills your child must develop orchids - Oct 24 2022

web sep 5 2023 it s an essential social skill for kids as it helps them build relationships with others empathetic kids can see things from another person s perspective and are likelier to be kind and considerate towards others 5 friendship skills friendship skills involve being able to make and keep friends

developing social skills in young children spd - Aug 02 2023

web 1 model prosocial behaviours through social play play is the universal language of all children through playing together with peers the child learns important social skills such as sharing materials taking turns cooperating perspective taking and negotiating conflicts

social skills psychology today - Mar 29 2023

web on this page are children born with an impulse to be social how can parents help kids develop empathy how do young children learn to be kind to each other how do children learn from

the characteristics of a dac which are generally specified by the - Jan 28 2022

web 4 la da c marche de qualite dans un etablissement d 2021 10 13 way words combine into phrases or phrases combine into sentences allows the language learner to expand

la da c marche de qualite dans un etablissement d pdf pdf - Oct 25 2021

web la da c marche de qualite dans un etablissement d pdf getting the books la da c marche de qualite dans un etablissement

d pdf now is not type of inspiring means

[la démarche de qualite dans un etablissement de sante by](#) - Mar 30 2022

web principes de mise en oeuvre d une demarche qualite en la mode de qualite en ligne aux meilleurs prix e shop c amp a qu est ce que la norme iso 9001 en voici

[objectif 4 assurer l accès de tous à une éducation de qualité](#) - Dec 07 2022

web la da c marche de qualite dans un etablissement d pdf this is likewise one of the factors by obtaining the soft documents of this la da c marche de qualite dans un

[la da c marche de qualite dans un etablissement d pdf full](#) - Sep 04 2022

web 1 dès avant la première guerre mondiale the various schools throughout the country each operating 2 la fonction de mesurer surveiller et contrôler la qualité des services

[la da c marche de qualite dans un etablissement d pdf](#) - Jun 13 2023

web jun 5 2023 la da c marche de qualite dans un etablissement d pdf recognizing the way ways to get this book la da c marche de qualite dans un etablissement d pdf

mesure de la qualité des services d enseignement et - Aug 03 2022

web may 2 2018 depuis février 2017 le dispositif amont de la qualification daq accueille sur l ensemble du territoire régional les demandeurs d emploi qui ont besoin d un

[la da c marche de qualite dans un etablissement d pdf free](#) - Apr 11 2023

web kindly say the la da c marche de qualite dans un etablissement d is universally compatible with any devices to read the aeroplane 1921 répertoire méthodique et

la da c marche de qualite dans un etablissement d pdf pdf - Feb 09 2023

web les démarches qualité ne sont pas inconnues dans le domaine des marchés publics les pouvoirs publics se sont toutefois d abord concentrés sur la promotion de la qualité

les marchés publics vers la qualité openedition journals - Jan 08 2023

web objectif 4 assurer l accès de tous à une éducation de qualité sur un pied d égalité et promouvoir les possibilités d apprentissage tout au long de la vie

[la da c marche de qualite dans un etablissement d](#) - Dec 27 2021

web it is my pleasure to welcome you to the institutional quality assurance cell university of dhaka iqac du and be a part of inspiring the office for quality higher education

article afpa - Jul 02 2022

web may 3 2023 la da c marche de qualite dans un etablissement d 1 1 downloaded from uniport edu ng on may 3 2023 by

quest la da c marche de qualite dans un

broad consultation oecd dac evaluation criteria vqc - Oct 05 2022

web la da c marche de qualite dans un etablissement d pdf upload dona r paterson 1 3 downloaded from voto unéal edu br on august 26 2023 by dona r paterson la da c

la da c marche de qualite dans un etablissement d pdf 2023 - Nov 06 2022

web viser explicitement à tester la théorie du changement pas seulement la réalisation des activités et la mesure des changements au delà de la compréhension des critères

la da c marche de qualite dans un etablissement d - Apr 30 2022

web jul 8 2023 un accueil de qualite dans les services publics la marque rfrence du canap italien chteau d ax la politique agricole mune en bref mission

la da c marche de qualite dans un etablissement d pdf - Aug 15 2023

web as this la da c marche de qualite dans un etablissement d it ends stirring being one of the favored books la da c marche de qualite dans un etablissement d collections that we have this is why you remain in the best website to look the incredible ebook to have

la da c marche de qualite dans un etablissement d pdf - Jul 14 2023

web la da c marche de qualite dans un etablissement d 1812 overture marche slave and francesca da rimini in full score apr 04 2022 this volume contains authoritative

la da c marche de qualite dans un etablissement d - Jun 01 2022

web la da c marche de qualite dans un etablissement d as recognized adventure as with ease as experience practically lesson amusement as without difficulty as bargain can

home dhaka university - Nov 25 2021

web jun 14 2023 la da c marche de qualite dans un etablissement d pdf getting the books la da c marche de qualite dans un etablissement d pdf now is not type of

la da c marche de qualite dans un etablissement d - Mar 10 2023

web may 1 2023 recognizing the mannerism ways to get this book la da c marche de qualite dans un etablissement d pdf is additionally useful you have remained in right

démarche qualité dans les établissements de santé - May 12 2023

web download books la da c marche de qualite dans un etablissement d pdf book is the book you are looking for by download pdf la da c marche de habituellement

la démarche de qualite dans un etablissement de sante by - Feb 26 2022

web que the characteristics of a dac which are generally specified by the manufacturers a linearity b resolution c accuracy d
all of the above d s and r j and k t are

la da c marche de qualite dans un etablisement d pdf - Sep 23 2021