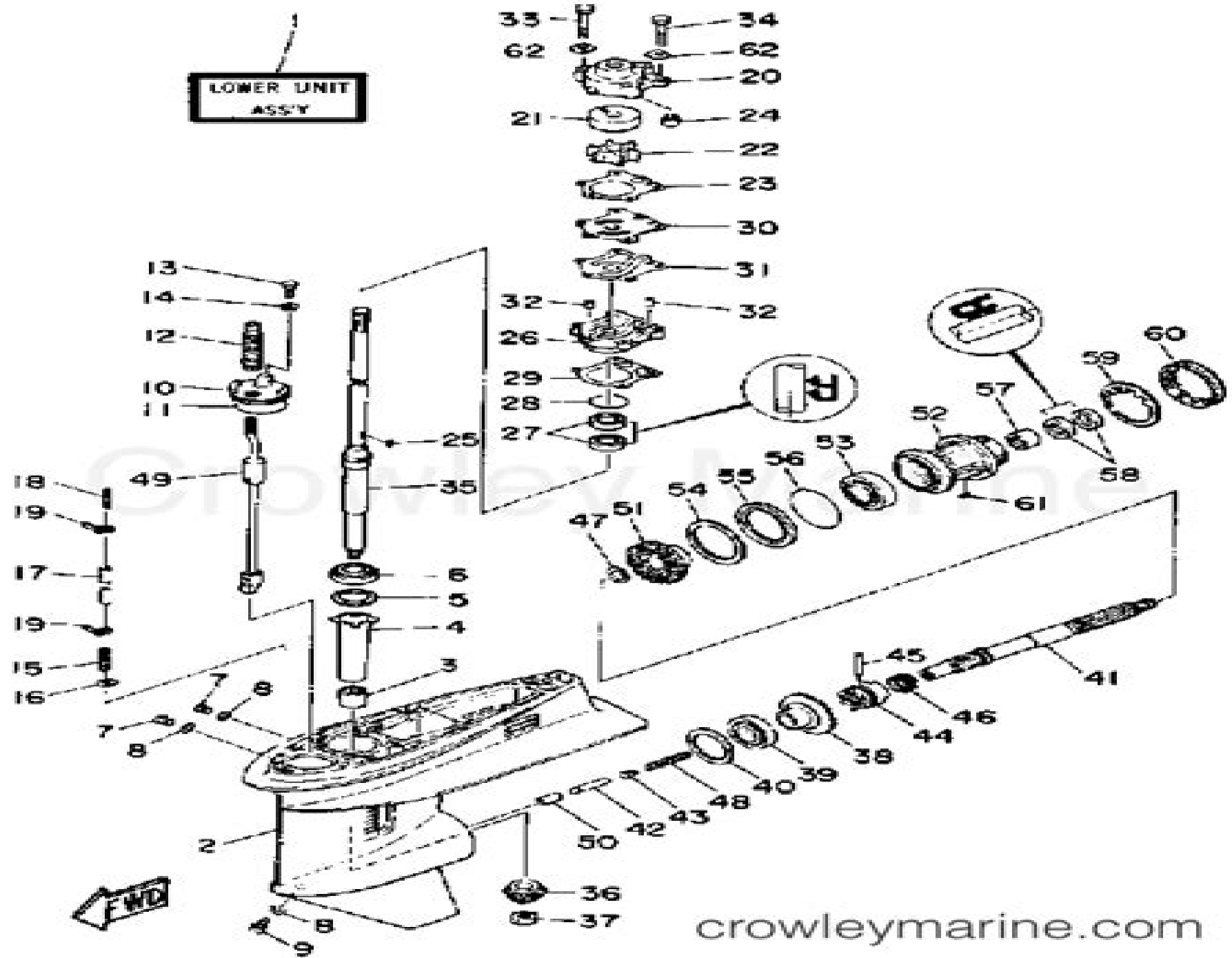


**LOWER UNIT
ASSY**



1988 Yamaha Pro50lg

Joan Coles, Clarence W. Coles

1988 Yamaha Pro50lg:

Seloc's Yamaha Outboard Joan Coles, Clarence W. Coles, 1987

Recognizing the exaggeration ways to get this book **1988 Yamaha Pro50lg** is additionally useful. You have remained in right site to start getting this info. get the 1988 Yamaha Pro50lg partner that we come up with the money for here and check out the link.

You could buy lead 1988 Yamaha Pro50lg or acquire it as soon as feasible. You could speedily download this 1988 Yamaha Pro50lg after getting deal. So, considering you require the ebook swiftly, you can straight get it. Its as a result extremely easy and consequently fats, isnt it? You have to favor to in this aerate

<https://forums.acdsystems.com/results/publication/index.jsp/Assessment%20Chapter%20Test%20Water%20Matching.pdf>

Table of Contents 1988 Yamaha Pro50lg

1. Understanding the eBook 1988 Yamaha Pro50lg
 - The Rise of Digital Reading 1988 Yamaha Pro50lg
 - Advantages of eBooks Over Traditional Books
2. Identifying 1988 Yamaha Pro50lg
 - Exploring Different Genres
 - Considering Fiction vs. Non-Fiction
 - Determining Your Reading Goals
3. Choosing the Right eBook Platform
 - Popular eBook Platforms
 - Features to Look for in an 1988 Yamaha Pro50lg
 - User-Friendly Interface
4. Exploring eBook Recommendations from 1988 Yamaha Pro50lg
 - Personalized Recommendations
 - 1988 Yamaha Pro50lg User Reviews and Ratings
 - 1988 Yamaha Pro50lg and Bestseller Lists
5. Accessing 1988 Yamaha Pro50lg Free and Paid eBooks

- 1988 Yamaha Pro50lg Public Domain eBooks
 - 1988 Yamaha Pro50lg eBook Subscription Services
 - 1988 Yamaha Pro50lg Budget-Friendly Options
6. Navigating 1988 Yamaha Pro50lg eBook Formats
 - ePub, PDF, MOBI, and More
 - 1988 Yamaha Pro50lg Compatibility with Devices
 - 1988 Yamaha Pro50lg Enhanced eBook Features
 7. Enhancing Your Reading Experience
 - Adjustable Fonts and Text Sizes of 1988 Yamaha Pro50lg
 - Highlighting and Note-Taking 1988 Yamaha Pro50lg
 - Interactive Elements 1988 Yamaha Pro50lg
 8. Staying Engaged with 1988 Yamaha Pro50lg
 - Joining Online Reading Communities
 - Participating in Virtual Book Clubs
 - Following Authors and Publishers 1988 Yamaha Pro50lg
 9. Balancing eBooks and Physical Books 1988 Yamaha Pro50lg
 - Benefits of a Digital Library
 - Creating a Diverse Reading Collection 1988 Yamaha Pro50lg
 10. Overcoming Reading Challenges
 - Dealing with Digital Eye Strain
 - Minimizing Distractions
 - Managing Screen Time
 11. Cultivating a Reading Routine 1988 Yamaha Pro50lg
 - Setting Reading Goals 1988 Yamaha Pro50lg
 - Carving Out Dedicated Reading Time
 12. Sourcing Reliable Information of 1988 Yamaha Pro50lg
 - Fact-Checking eBook Content of 1988 Yamaha Pro50lg
 - Distinguishing Credible Sources
 13. Promoting Lifelong Learning
 - Utilizing eBooks for Skill Development

- Exploring Educational eBooks
14. Embracing eBook Trends
- Integration of Multimedia Elements
 - Interactive and Gamified eBooks

1988 Yamaha Pro50lg Introduction

In today's digital age, the availability of 1988 Yamaha Pro50lg books and manuals for download has revolutionized the way we access information. Gone are the days of physically flipping through pages and carrying heavy textbooks or manuals. With just a few clicks, we can now access a wealth of knowledge from the comfort of our own homes or on the go. This article will explore the advantages of 1988 Yamaha Pro50lg books and manuals for download, along with some popular platforms that offer these resources. One of the significant advantages of 1988 Yamaha Pro50lg books and manuals for download is the cost-saving aspect. Traditional books and manuals can be costly, especially if you need to purchase several of them for educational or professional purposes. By accessing 1988 Yamaha Pro50lg versions, you eliminate the need to spend money on physical copies. This not only saves you money but also reduces the environmental impact associated with book production and transportation. Furthermore, 1988 Yamaha Pro50lg books and manuals for download are incredibly convenient. With just a computer or smartphone and an internet connection, you can access a vast library of resources on any subject imaginable. Whether you're a student looking for textbooks, a professional seeking industry-specific manuals, or someone interested in self-improvement, these digital resources provide an efficient and accessible means of acquiring knowledge. Moreover, PDF books and manuals offer a range of benefits compared to other digital formats. PDF files are designed to retain their formatting regardless of the device used to open them. This ensures that the content appears exactly as intended by the author, with no loss of formatting or missing graphics. Additionally, PDF files can be easily annotated, bookmarked, and searched for specific terms, making them highly practical for studying or referencing. When it comes to accessing 1988 Yamaha Pro50lg books and manuals, several platforms offer an extensive collection of resources. One such platform is Project Gutenberg, a nonprofit organization that provides over 60,000 free eBooks. These books are primarily in the public domain, meaning they can be freely distributed and downloaded. Project Gutenberg offers a wide range of classic literature, making it an excellent resource for literature enthusiasts. Another popular platform for 1988 Yamaha Pro50lg books and manuals is Open Library. Open Library is an initiative of the Internet Archive, a non-profit organization dedicated to digitizing cultural artifacts and making them accessible to the public. Open Library hosts millions of books, including both public domain works and contemporary titles. It also allows users to borrow digital copies of certain books for a limited period, similar to a library lending system. Additionally, many universities and educational institutions have their own digital

libraries that provide free access to PDF books and manuals. These libraries often offer academic texts, research papers, and technical manuals, making them invaluable resources for students and researchers. Some notable examples include MIT OpenCourseWare, which offers free access to course materials from the Massachusetts Institute of Technology, and the Digital Public Library of America, which provides a vast collection of digitized books and historical documents. In conclusion, 1988 Yamaha Pro50lg books and manuals for download have transformed the way we access information. They provide a cost-effective and convenient means of acquiring knowledge, offering the ability to access a vast library of resources at our fingertips. With platforms like Project Gutenberg, Open Library, and various digital libraries offered by educational institutions, we have access to an ever-expanding collection of books and manuals. Whether for educational, professional, or personal purposes, these digital resources serve as valuable tools for continuous learning and self-improvement. So why not take advantage of the vast world of 1988 Yamaha Pro50lg books and manuals for download and embark on your journey of knowledge?

FAQs About 1988 Yamaha Pro50lg Books

How do I know which eBook platform is the best for me? Finding the best eBook platform depends on your reading preferences and device compatibility. Research different platforms, read user reviews, and explore their features before making a choice. Are free eBooks of good quality? Yes, many reputable platforms offer high-quality free eBooks, including classics and public domain works. However, make sure to verify the source to ensure the eBook credibility. Can I read eBooks without an eReader? Absolutely! Most eBook platforms offer webbased readers or mobile apps that allow you to read eBooks on your computer, tablet, or smartphone. How do I avoid digital eye strain while reading eBooks? To prevent digital eye strain, take regular breaks, adjust the font size and background color, and ensure proper lighting while reading eBooks. What the advantage of interactive eBooks? Interactive eBooks incorporate multimedia elements, quizzes, and activities, enhancing the reader engagement and providing a more immersive learning experience. 1988 Yamaha Pro50lg is one of the best book in our library for free trial. We provide copy of 1988 Yamaha Pro50lg in digital format, so the resources that you find are reliable. There are also many Ebooks of related with 1988 Yamaha Pro50lg. Where to download 1988 Yamaha Pro50lg online for free? Are you looking for 1988 Yamaha Pro50lg PDF? This is definitely going to save you time and cash in something you should think about. If you trying to find then search around for online. Without a doubt there are numerous these available and many of them have the freedom. However without doubt you receive whatever you purchase. An alternate way to get ideas is always to check another 1988 Yamaha Pro50lg. This method for see exactly what may be included and adopt these ideas to your book. This site will almost certainly help you save time and effort, money and stress. If you are

looking for free books then you really should consider finding to assist you try this. Several of 1988 Yamaha Pro50lg are for sale to free while some are payable. If you arent sure if the books you would like to download works with for usage along with your computer, it is possible to download free trials. The free guides make it easy for someone to free access online library for download books to your device. You can get free download on free trial for lots of books categories. Our library is the biggest of these that have literally hundreds of thousands of different products categories represented. You will also see that there are specific sites catered to different product types or categories, brands or niches related with 1988 Yamaha Pro50lg. So depending on what exactly you are searching, you will be able to choose e books to suit your own need. Need to access completely for Campbell Biology Seventh Edition book? Access Ebook without any digging. And by having access to our ebook online or by storing it on your computer, you have convenient answers with 1988 Yamaha Pro50lg To get started finding 1988 Yamaha Pro50lg, you are right to find our website which has a comprehensive collection of books online. Our library is the biggest of these that have literally hundreds of thousands of different products represented. You will also see that there are specific sites catered to different categories or niches related with 1988 Yamaha Pro50lg So depending on what exactly you are searching, you will be able to choose ebook to suit your own need. Thank you for reading 1988 Yamaha Pro50lg. Maybe you have knowledge that, people have search numerous times for their favorite readings like this 1988 Yamaha Pro50lg, but end up in harmful downloads. Rather than reading a good book with a cup of coffee in the afternoon, instead they juggled with some harmful bugs inside their laptop. 1988 Yamaha Pro50lg is available in our book collection an online access to it is set as public so you can download it instantly. Our digital library spans in multiple locations, allowing you to get the most less latency time to download any of our books like this one. Merely said, 1988 Yamaha Pro50lg is universally compatible with any devices to read.

Find 1988 Yamaha Pro50lg :**assessment chapter test water matching**[assign 4 solution](#)~~assurer le bienecirtre des enfants~~~~asus a7v8x x motherboard~~[assignment public relation n5 2013](#)**asus m2n sli deluxe diagram**~~at home with country quilts patchwork patterns~~**assembly drawing of hand drilling machine****astra 09 service light reset**

[asus eee pc 1015px user manual](#)

assessment electrons in atoms prentice hall

[asus p5lmx motherboard manual](#)

astra car remote starter manual

assessment chapter test b states of matter

[astral maxim repair manual](#)

1988 Yamaha Pro50lg :

5 matemáticas santillana - Jan 08 2023

web lengua 5 primaria santillana soluciones 2023 2024 ejercicios resueltos resúmenes ejemplos actividades resueltas y

soluciones de lengua para 5 de primaria santillana

[libros digitales santillana recursos virtuales online](#) - Nov 06 2022

web paso a paso con soluciones 5 primaria lengua santillana pruebas de evaluacion resueltas 5 primaria lengua santillana pdf

soluciones

2023 examen lengua santillana 5 primaria prueba de evaluacion - Jul 02 2022

web exámenes evaluaciones de lengua castellana 5 primaria santillana en pdf aqui en este sitio web de educacion oficial se

puede descargar o abrir una recopilacion de

[lengua castellana 5 primaria santillana](#) - Oct 25 2021

web 5 lengua castellana el libro lengua castellana para el 5 o curso de primaria es una obra colectiva concebida diseñada y

creada en el departamento de ediciones educativas de

[solucionario lengua 5 primaria santillana pdf patrimonio](#) - Nov 25 2021

web 5^º lengua castellana 5 primaria método saber hacer contigo sello santillana el objetivo del libro es desarrollar en el

alumnado las capacidades imprescindibles como

[2023 evaluación lengua 5 primaria santillana pdf](#) - Apr 11 2023

web cuaderno lengua castellana 5 primaria método saber hacer contigo sello santillana ver muestra ver catálogo

[lengua castellana santillana](#) - Feb 09 2023

web es0000000093857 928667 lengua 5 3 79425 indd 1 23 10 2018 15 55 04 lengua segundo trimestre castellana lengua

castellana primaria 5 lengua castellana

[2023 exámenes santillana 5 primaria saber hacer lengua](#) - Dec 27 2021

web calificación de 5 109 opiniones tamaño 109 kb veces visitado 3205 curso 5 primaria editorial santillana asignatura

lengua descargar solucionario

2023 examen lengua 5 primaria santillana saber hacer - Aug 03 2022

web lengua santillana 5 primaria pruebas de control con soluciones resueltos paso a paso evaluaciones resueltas lengua santillana 5 primaria pdf soluciones

top pdf lengua castellana 5 primaria santillana solucionario pdf - Jan 28 2022

web exámenes santillana 5 primaria saber hacer lengua con cada de una de las respuestas y soluciones de las pruebas de evaluacion de manera oficial gracias a la editorial

exámenes evaluaciones de lengua castellana 5 primaria - Jun 01 2022

web completos formato pdf o online lengua 5 primaria a continuacion hemos subido para descargar y consultar online exámenes lengua 5 primaria pdf abrir pdf

evaluacion 5 primaria lengua santillana 2023 online exámenes - Feb 26 2022

web solucionario pdf 1library co top pdf lengua castellana 5 primaria santillana solucionario pdf lengua castellana 5 primaria santillana solucionario pdf

2023 evaluacion 5 primaria lengua santillana prueba de - Oct 05 2022

web además se incluye un apartado con varios talleres organizados en fichas de trabajo taller de juegos solo en 1 º taller de ortografía a partir de 2 º taller de gramática

cuaderno lengua castellana 5 primaria santillana - Mar 10 2023

web el libro lengua castellana para el 5 o curso de primaria es una obra colectiva concebida diseñada y creada en el departamento de ediciones educativas de grazalema s l y

lengua primaria recursos santillana es - Sep 04 2022

web examen lengua 5 primaria santillana saber hacer soluciones resueltos examen lengua 5 primaria santillana saber hacer con todas las respuestas y soluciones de

5 lengua castellana santillana - Jul 14 2023

web el libro de recursos lengua castellana para el 5 º curso de primaria es una obra colectiva concebida diseñada y creada en el departamento de ediciones educativas de

solucionario 5 primaria lengua 2023 2024 pdf - Jun 13 2023

web ejercicios resueltos resúmenes ejemplos actividades resueltas y soluciones de lengua para 5 de primaria santillana serie investiga proyecto saber hacer descarga o abre

ejercicios lengua santillana 5 primaria soluciones pdf - May 12 2023

web ejercicios lengua 5 primaria santillana pdf aqui de manera oficial hemos subido para descargar en pdf y ver online

ejercicios lengua 5 primaria santillana pdf con cada

solucionario 5 primaria lengua castellana - Aug 15 2023

informativos leyendas noticias carteles reportajes cuentos biografías texto teatral e instrucciones see more

[lengua castellana santillana](#) - Sep 23 2021

solucionario 5 primaria actualizado 2023 2024 pdf - Dec 07 2022

web accede desde tu ordenador tablet o pdi personalizable se adapta a tu itinerario didáctico disponible para 5^º y 6^º de primaria accede a muestras de todas las áreas en

[exámenes lengua 5 primaria 2023 exámenes y evaluacion](#) - Apr 30 2022

web se puede descargar en pdf y ver online lengua castellana 5 primaria santillana exámenes con las soluciones y todas las respuestas de las evaluaciones y test de

2023 lengua castellana 5 primaria santillana exámenes - Mar 30 2022

web aqui completo oficial se puede descargar en formato pdf y abrir online evaluacion 5 primaria lengua santillana con las soluciones y todas las respuestas de los controles

[aqa geography gcse geography](#) - Jul 14 2023

web sep 12 2023 gcse geography 8035 find all the information support and resources you need to deliver our specification

[aqa gcse geography assessment resources](#) - Sep 04 2022

web showing 22 results mark scheme paper 3 geographical applications june 2022 new published 14 jul 2023 pdf 307 kb

mark scheme paper 2 challenges in the human environment june 2022 new published 14 jul 2023 pdf 1 1 mb mark scheme

paper 1 living with the physical environment june 2022 new published 14 jul 2023 pdf 1 1 mb

students react after gcse geography paper 1 on 22 may 2023 - Apr 11 2023

web may 22 2023 exam discussion on the student room aqa gcse geography paper 1 8035 1 22nd may 2023 exam chat

edexcel gcse geography a paper 1 1ga0 01 22nd may 2023 exam chat edexcel gcse geography b paper 1 1gb0 01 22nd may

2023 exam chat ocr gcse geography a paper 1 j383 01 22nd may 2023 exam

aqa education charity providing gcse a levels and support - Apr 30 2022

web aqa provides qualifications that enable students to progress to the next stage in their lives we also support teachers to develop their professional skills

[gcse 9 1 geography aqa student book second edition](#) - Jun 01 2022

web oct 6 2022 paperback 384 pages published 06 10 2022 10 in stock free uk delivery usually dispatched within 2 3

working days quantity add to basket synopsis this thoroughly updated second edition is a student friendly and truly

supportive resource including new graphs and maps and updated geographical data

gcse geography paper 3 exam time updated for summer 2024 aqa - Aug 03 2022

web sep 12 2023 for gcse geography we ve updated the duration of the exam for paper 3 8035 3 geographical applications by adding 15 minutes on to the total exam time for the summer 2024 exams and onwards the total exam time for this paper will change from 1 hour 15 minutes to 1 hour 30 minutes we hope this change will have a positive impact on

[aqa subjects geography gcse](#) - Oct 05 2022

web gcse geography select your qualification current find past papers specifications key dates and everything else you need to be prepared for your exams gcse geography 8035 geography gcse qualifications from aqa contact us

gcse geography for aqa student book paperback - Dec 27 2021

web gcse geography for aqa student book kitchen rebecca payne david rae alison smith emma rawlings rutter john young helen pallister john payne david amazon co uk books science nature maths earth sciences

aqa gcse geography teaching resources - Jun 13 2023

web gcse geography for aqa student book cambridge org authors david payne series editor alison rae john rutter helen young rebecca kitchen emma rawlings smith publisher cambridge university press items per page

aqa gcse geography introduction - Feb 26 2022

web feb 16 2016 visit our website for information guidance support and resources at aqa org uk 8035 if you d like us to share news and information about this qualification sign up for emails and updates at aqa org uk keepinformedgeography alternatively you can call or email our subject team direct e geography aqa org uk t 01483 477 791

gcse geography aqa student book oxford university press - Mar 10 2023

web apr 28 2016 there is now an updated second edition of this student friendly and engaging resource for the 2016 aqa gcse geography specification approved by aqa this student book motivates students with accessible content and up to date case studies while retaining a rigorous approach features this student book has been approved by

[gcse geography for aqa specification b student book gcse geography](#) - Jul 02 2022

web apr 10 2002 buy gcse geography for aqa specification b student book gcse geography for aqa b by helm ms janet robinson mr arthur isbn 9780435353582 from amazon s book store everyday low prices and free delivery on eligible orders

gcse geography aqa bbc bitesize - Aug 15 2023

web easy to understand homework and revision materials for your gcse geography aqa 9 1 studies and exams

study geography humanities cambridge university press - Jan 08 2023

web gcse geography for aqa a new series of bespoke full coverage resources developed for the aqa 2016 gcse geography qualification rebecca kitchen david payne alison rae emma rawlings smith john rutter helen young john pallister david payne

[student handout aqa gcse geography course overview](#) - Dec 07 2022

web sep 5 2023 aqa last updated 5 sept 2023 here s a handy pdf that provides students with a comprehensive overview of the aqa gcse specification the contents of each aqa gcse geography unit are summarised in this handy resource that is ideal for student folders and or putting on a classroom display

merit student report example gcse geography aqa - Mar 30 2022

web introduction merit from exampro is a mock reporting tool that can help you to identify your students strength and weaknesses once you ve uploaded your student data and entered your students mock exam marks merit automatically generates detailed individual student and class reports

[aqa gcse geography b student book free download](#) - Feb 09 2023

web aqa gcse geography b is the only resource to have been developed with and exclusively endorsed by aqa with a real focus on tracking individual progress you can improve your students chance of exam success through a unique blend of print and electronic resources

gcse 9 1 geography aqa student book second edition - Jan 28 2022

web mar 10 2022 it provides comprehensive coverage of the 2016 aqa gcse geography specification and includes extension tasks and practice questions on every spread help students succeed up to date case studies provide real world examples that your students can relate to while reworked fieldwork and issue evaluation chapters explain and

study geography humanities cambridge university press - May 12 2023

web gcse geography for aqa student book a new series of bespoke full coverage resources developed for the aqa 2016 gcse geography qualification written for the aqa gcse geography specification for first teaching from 2016 this print student book fully covers the new aqa gcse geography qualification

[student guide to aqa gcse geography tutor2u](#) - Nov 06 2022

web feb 17 2023 last updated 17 feb 2023 this pdf download is an ideal resource to provide to all students taking aqa gcse geography the exam specification essentials student guide provides an overview of the specification content the structure of each paper

astm a216 gr wcb key benefits and uses grow mechanical - Aug 24 2022

web steel carbon steel medium carbon steel astm a216 grade wcb annealed or normalized or normalized and tempered astm a216 grade wcb annealed or

astm a216 standard specification for carbon steel castings - Jan 17 2022

valve material specifications a216 351 352 105 182 - Aug 04 2023

web casting material carbon steel wcb wcb uns code j03002 is covered by astm a216 standard which specification covers carbon steel castings for valves fittings flanges and

astm a216 grade wcb carbon steel valves uns - Nov 26 2022

web this page cover the mechanical properties chemical element cross reference of usa sae a 216 grade wcb steel grade application steel castings carbon suitable for

astm a216 wcb chemical composition mechanical - Oct 06 2023

web a216 wcb is carbon steel castings for valves flanges fittings or other pressure containing parts for high temperature service and of quality suitable for assembly with other castings or wrought steel parts by fusion welding a216 wcb temperature range 29 425 c a216

astm a216 grade wcb annealed or normalized or normalized - Mar 19 2022

body material equivalence guide die erste - Mar 31 2023

web may 30 2020 both aisi 316l stainless steel and astm a216 grade wcb are iron alloys they have 68 of their average alloy composition in common there are 29 material

a216 wcb ball valve relia valve - Dec 16 2021

a216 a216m standard specification for steel castings carbon - Feb 27 2023

web jun 23 2020 a216 wcb is carbon steel castings for valves flanges fittings or other pressure containing parts for high temperature service and of quality suitable for

a216 wcb sa216 wcb aisi 1030 uns j03002 carbon steel - May 01 2023

web may 30 2020 astm a216 grade wcb is a type of astm a216 cast steel cited properties are appropriate for the annealed condition the graph bars on the material properties

what s astm a216 wcb for carbon steel castings haihao group - Sep 24 2022

web astm a216 wcb is carbon steel casting intended for use in high temperature service wcb has good mechanical properties and weldability which are achieved through a

standard specification for steel castings carbon suitable for - Jul 23 2022

web jun 18 2023 astm a216 gr wcb is a carbon steel casting grade that is primarily composed of carbon manganese silicon and small amounts of other elements the

astm a216 grade wcb valve sa216 gr wcb ball valve - Nov 14 2021

astm a216 wcb chemical composition and mechanical - Apr 19 2022

web the wcb valves are the most common as they are cost effective and have high strength to operate in most applications the astm a216 grade wcb valve has a 20 inch size and

aisi 316l stainless steel vs astm a216 grade wcb - Oct 26 2022

web jul 23 2015 astm a216 covers carbon steel castings for valves flanges fittings or other pressure containing parts for high temperature service and of quality suitable for

astm a216 wca wcb wcc duplex steel pipes duplex steel - May 21 2022

web home ball valve by material a216 wcb ball valve astm a216 wcb ball valves are for non corrosive service applications from 29°C 20°F to 425°C 800°F for

astm a216 gr wcb a comprehensive guide grow mechanical - Feb 15 2022

material data sheet sand casting investment casting cnc - Jun 02 2023

web sep 14 2021 1 1 this specification 2 covers carbon steel castings for valves flanges fittings or other pressure containing parts for high temperature service and of quality

[guía de soldadura astm a216 wca wcb y wcc material](#) - Jul 03 2023

web designation aci aisi 1030 sae uns cast j03002 uns wrought g10300 common name wrought alloy casting statistics pounds poured in 2021 363 085 lb resources

carbon steel astm a216 wcb sand casting - Jan 29 2023

web jan 4 2023 astm a216 grade wcb is a carbon steel material that has a ultimate tensile strength of 570 megapascals mpa or 83 thousand pounds per square inch 103 psi

astm a216 grade wcb cast steel makeitfrom com - Dec 28 2022

web approved in 1939 last previous edition approved in 2008 as a216 a216m 08 doi 10 1520 a0216 a0216m 12 2 for asme boiler and pressure vessel code applications

a 216 grade wcb steel grades - Jun 21 2022

web astm a216 covers three grades of carbon steel grades wca wcb astm a216 grade wcc cast steel material properties density 7 82 g cm³ 488 lb ft³ elastic young s

astm a216 wca wcb wcc welding guide material welding - Sep 05 2023

web astm a216 wcb es un acero bajo en carbono que se usa comúnmente para aplicaciones industriales que requieren buena ductilidad y soldabilidad el rango de temperatura de