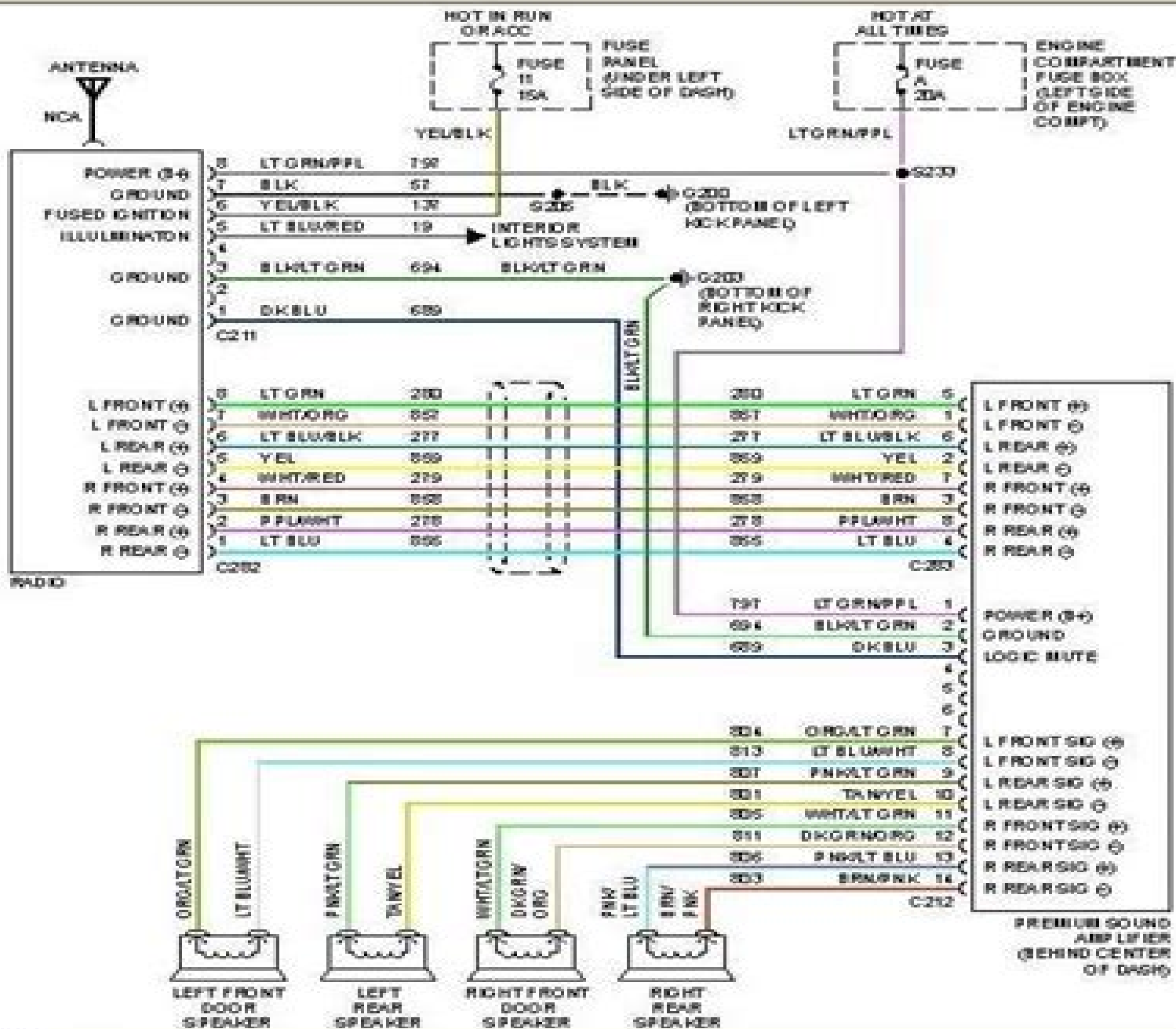


Fig. 58: Premium Sound Radio Circuit



1988 Ford F150 Radio Wiring Diagram

E.I. Electrical Press



1988 Ford F150 Radio Wiring Diagram:

Wiring Diagram and Schematics 2013 Ford F150 Steven Ghazi,2025-07-28 This comprehensive and easy to follow guide is a valuable resource for diagnosing and troubleshooting the electrical systems of the 2013 Ford F 150 Whether you re performing basic maintenance or addressing complex electrical issues this manual offers clear and detailed information to support efficient diagnostics and repair Electronic Control Units ECUs and modules are represented through simplified digital logic diagrams illustrating software and electronic control functions Electrical signal paths are shown from origin to termination integrating both software and hardware logic for clarity Includes over 300 CAN Bus messages with each message source and destination clearly identified Equipment package diagrams are provided for the 2013 F 150 XL STX XLT FX2 FX4 Lariat King Ranch Platinum SVT Raptor and Limited models The manual features 254 wiring diagrams and schematic sheets organized into 44 sections including but not limited to Section 12 Charging Systems Section 13 Power Distribution Section 14 Module Communications for HS CAN MS CAN and I CAN with data bus messages Section 20 Starting Systems Sections 23 26 Powertrain Controls for 6 2L 5 0L 3 5L and 3 7L engines Section 30 Transmission Controls 6R80 Section 31 Steering Column Control Module Section 34 Transfer Case Control Module Section 43 Power Steering Control Module Section 130 Audio Control Module Base Mid Level and Premium Sound *Automotive Manual Electrical-radio Wiring Diagrams* E.I. Electrical Press,1951 **1999 Ford F-150/250** Ford Motor Company,2000 *2001 Ford F-150* Ford Motor Company,2000 2002 Ford F-150 Truck Wiring Diagrams Ford Motor Company,2025-01-17 This 2002 Ford F 150 Truck Wiring Diagrams is a high quality licensed PRINT reproduction of the service manual authored by Ford Motor Company and published by Detroit Iron This OEM factory manual is 11 x 8 5 inches paperback bound shrink wrapped and contains 528 pages of comprehensive mechanical instructions with detailed diagrams photos and specifications for the mechanical components of your vehicle such as the engine transmission suspension brakes fuel exhaust steering electrical and drive line Service repair manuals were originally written by the automotive manufacturer to be used by their dealership mechanics The following 2002 Ford models are covered F 150 This factory written Detroit Iron shop manual is perfect for the restorer or anyone working on one of these vehicles **2005 Ford F-150 Truck Wiring Diagrams** Ford Motor Company,2025-01-17 This 2005 Ford F 150 Truck Wiring Diagrams is a high quality licensed PRINT reproduction of the service manual authored by Ford Motor Company and published by Detroit Iron This OEM factory manual is 8 5 x 11 inches paperback bound shrink wrapped and contains 382 pages of comprehensive mechanical instructions with detailed diagrams photos and specifications for the mechanical components of your vehicle such as the engine transmission suspension brakes fuel exhaust steering electrical and drive line Service repair manuals were originally written by the automotive manufacturer to be used by their dealership mechanics The following 2005 Ford models are covered F 150 This factory written Detroit Iron shop manual is perfect for the restorer or anyone working on one of these vehicles 1999 Ford F-150 F-250 Wiring

Diagrams Ford Motor Company,2023-10 This 1999 Ford F 150 F 250 Wiring Diagrams is a high quality licensed PRINT reproduction of the service manual authored by Ford Motor Company and published by Detroit Iron This OEM factory manual is 8 5 x 11 inches paperback bound shrink wrapped and contains 328 pages of comprehensive electrical and vacuum circuit diagrams and diagnosis instructions Service repair manuals were originally written by the automotive manufacturer to be used by their dealership mechanics The following 1999 Ford models are covered F 150 F 250 This factory written Detroit Iron shop manual is perfect for the restorer or anyone working on one of these vehicles *2001 Ford F-150 Truck Wiring Diagrams Manual* Ford Motor Company,2025-01-17 This 2001 Ford F 150 Truck Wiring Diagrams Manual is a high quality licensed PRINT reproduction of the service manual authored by Ford Motor Company and published by Detroit Iron This OEM factory manual is 11 x 8 5 inches paperback bound shrink wrapped and contains 448 pages of comprehensive mechanical instructions with detailed diagrams photos and specifications for the mechanical components of your vehicle such as the engine transmission suspension brakes fuel exhaust steering electrical and drive line Service repair manuals were originally written by the automotive manufacturer to be used by their dealership mechanics The following 2001 Ford models are covered F 150 This factory written Detroit Iron shop manual is perfect for the restorer or anyone working on one of these vehicles **2004 Ford F-150 Wiring Diagrams** Ford Motor Company,2025-01-17 This 2004 Ford F 150 Wiring Diagrams is a high quality licensed PRINT reproduction of the service manual authored by Ford Motor Company and published by Detroit Iron This OEM factory manual is 11 x 8 5 inches paperback bound shrink wrapped and contains 368 pages of comprehensive mechanical instructions with detailed diagrams photos and specifications for the mechanical components of your vehicle such as the engine transmission suspension brakes fuel exhaust steering electrical and drive line Service repair manuals were originally written by the automotive manufacturer to be used by their dealership mechanics The following 2004 Ford models are covered F 150 This factory written Detroit Iron shop manual is perfect for the restorer or anyone working on one of these vehicles **2004 Ford F-150 Heritage & SVT Wiring Diagrams Manual** Ford Motor Company,2025-01-17 This 2004 Ford F 150 Heritage SVT Wiring Diagrams Manual is a high quality licensed PRINT reproduction of the service manual authored by Ford Motor Company and published by Detroit Iron This OEM factory manual is 11 x 8 5 inches paperback bound shrink wrapped and contains 454 pages of comprehensive mechanical instructions with detailed diagrams photos and specifications for the mechanical components of your vehicle such as the engine transmission suspension brakes fuel exhaust steering electrical and drive line Service repair manuals were originally written by the automotive manufacturer to be used by their dealership mechanics The following 2004 Ford models are covered F 150 Heritage This factory written Detroit Iron shop manual is perfect for the restorer or anyone working on one of these vehicles 1988 Ford F-Series Truck Electrical Vacuum Troubleshooting Manual Ford Motor Company,2023-03-22 This 1988 Ford F Series Truck Electrical Vacuum Troubleshooting Manual is a high quality licensed PRINT reproduction of

the parts catalog authored by Ford Motor Company and published by Detroit Iron It contains 138 pages of detailed parts information via exploded diagram cutouts of sections of your vehicle assembly with parts numbers and textual descriptions A parts guide provides part interchange information so you can find replacement parts The part book sections usually include suspension engine transmission body fittings parts brakes cooling radiator exhaust fenders doors fuel system etc The following 1988 Ford models are covered Bronco F 150 F 250 F 350 This factory written Detroit Iron shop manual is perfect for the restorer or anyone working on one of these vehicles

Whispering the Strategies of Language: An Psychological Journey through **1988 Ford F150 Radio Wiring Diagram**

In a digitally-driven earth where displays reign great and instant communication drowns out the subtleties of language, the profound strategies and emotional subtleties concealed within words frequently get unheard. Yet, set within the pages of **1988 Ford F150 Radio Wiring Diagram** a charming fictional prize sporting with fresh thoughts, lies an exceptional journey waiting to be undertaken. Penned by an experienced wordsmith, this wonderful opus attracts visitors on an introspective trip, lightly unraveling the veiled truths and profound influence resonating within ab muscles cloth of each and every word. Within the emotional depths with this emotional review, we shall embark upon a heartfelt exploration of the book is primary subjects, dissect its interesting publishing fashion, and fail to the strong resonance it evokes heavy within the recesses of readers hearts.

<https://forums.acdsystems.com/data/virtual-library/fetch.php/adafruit%20dc%20motor%20tutorial.pdf>

Table of Contents 1988 Ford F150 Radio Wiring Diagram

1. Understanding the eBook 1988 Ford F150 Radio Wiring Diagram
 - The Rise of Digital Reading 1988 Ford F150 Radio Wiring Diagram
 - Advantages of eBooks Over Traditional Books
2. Identifying 1988 Ford F150 Radio Wiring Diagram
 - Exploring Different Genres
 - Considering Fiction vs. Non-Fiction
 - Determining Your Reading Goals
3. Choosing the Right eBook Platform
 - Popular eBook Platforms
 - Features to Look for in an 1988 Ford F150 Radio Wiring Diagram
 - User-Friendly Interface
4. Exploring eBook Recommendations from 1988 Ford F150 Radio Wiring Diagram
 - Personalized Recommendations

- 1988 Ford F150 Radio Wiring Diagram User Reviews and Ratings
- 1988 Ford F150 Radio Wiring Diagram and Bestseller Lists
- 5. Accessing 1988 Ford F150 Radio Wiring Diagram Free and Paid eBooks
 - 1988 Ford F150 Radio Wiring Diagram Public Domain eBooks
 - 1988 Ford F150 Radio Wiring Diagram eBook Subscription Services
 - 1988 Ford F150 Radio Wiring Diagram Budget-Friendly Options
- 6. Navigating 1988 Ford F150 Radio Wiring Diagram eBook Formats
 - ePub, PDF, MOBI, and More
 - 1988 Ford F150 Radio Wiring Diagram Compatibility with Devices
 - 1988 Ford F150 Radio Wiring Diagram Enhanced eBook Features
- 7. Enhancing Your Reading Experience
 - Adjustable Fonts and Text Sizes of 1988 Ford F150 Radio Wiring Diagram
 - Highlighting and Note-Taking 1988 Ford F150 Radio Wiring Diagram
 - Interactive Elements 1988 Ford F150 Radio Wiring Diagram
- 8. Staying Engaged with 1988 Ford F150 Radio Wiring Diagram
 - Joining Online Reading Communities
 - Participating in Virtual Book Clubs
 - Following Authors and Publishers 1988 Ford F150 Radio Wiring Diagram
- 9. Balancing eBooks and Physical Books 1988 Ford F150 Radio Wiring Diagram
 - Benefits of a Digital Library
 - Creating a Diverse Reading Collection 1988 Ford F150 Radio Wiring Diagram
- 10. Overcoming Reading Challenges
 - Dealing with Digital Eye Strain
 - Minimizing Distractions
 - Managing Screen Time
- 11. Cultivating a Reading Routine 1988 Ford F150 Radio Wiring Diagram
 - Setting Reading Goals 1988 Ford F150 Radio Wiring Diagram
 - Carving Out Dedicated Reading Time
- 12. Sourcing Reliable Information of 1988 Ford F150 Radio Wiring Diagram
 - Fact-Checking eBook Content of 1988 Ford F150 Radio Wiring Diagram

- Distinguishing Credible Sources
13. Promoting Lifelong Learning
- Utilizing eBooks for Skill Development
 - Exploring Educational eBooks
14. Embracing eBook Trends
- Integration of Multimedia Elements
 - Interactive and Gamified eBooks

1988 Ford F150 Radio Wiring Diagram Introduction

Free PDF Books and Manuals for Download: Unlocking Knowledge at Your Fingertips In today's fast-paced digital age, obtaining valuable knowledge has become easier than ever. Thanks to the internet, a vast array of books and manuals are now available for free download in PDF format. Whether you are a student, professional, or simply an avid reader, this treasure trove of downloadable resources offers a wealth of information, conveniently accessible anytime, anywhere. The advent of online libraries and platforms dedicated to sharing knowledge has revolutionized the way we consume information. No longer confined to physical libraries or bookstores, readers can now access an extensive collection of digital books and manuals with just a few clicks. These resources, available in PDF, Microsoft Word, and PowerPoint formats, cater to a wide range of interests, including literature, technology, science, history, and much more. One notable platform where you can explore and download free 1988 Ford F150 Radio Wiring Diagram PDF books and manuals is the internet's largest free library. Hosted online, this catalog compiles a vast assortment of documents, making it a veritable goldmine of knowledge. With its easy-to-use website interface and customizable PDF generator, this platform offers a user-friendly experience, allowing individuals to effortlessly navigate and access the information they seek. The availability of free PDF books and manuals on this platform demonstrates its commitment to democratizing education and empowering individuals with the tools needed to succeed in their chosen fields. It allows anyone, regardless of their background or financial limitations, to expand their horizons and gain insights from experts in various disciplines. One of the most significant advantages of downloading PDF books and manuals lies in their portability. Unlike physical copies, digital books can be stored and carried on a single device, such as a tablet or smartphone, saving valuable space and weight. This convenience makes it possible for readers to have their entire library at their fingertips, whether they are commuting, traveling, or simply enjoying a lazy afternoon at home. Additionally, digital files are easily searchable, enabling readers to locate specific information within seconds. With a few keystrokes, users can search for keywords, topics, or phrases, making research and finding relevant information a breeze. This efficiency saves time and effort, streamlining the learning process and allowing individuals to

focus on extracting the information they need. Furthermore, the availability of free PDF books and manuals fosters a culture of continuous learning. By removing financial barriers, more people can access educational resources and pursue lifelong learning, contributing to personal growth and professional development. This democratization of knowledge promotes intellectual curiosity and empowers individuals to become lifelong learners, promoting progress and innovation in various fields. It is worth noting that while accessing free 1988 Ford F150 Radio Wiring Diagram PDF books and manuals is convenient and cost-effective, it is vital to respect copyright laws and intellectual property rights. Platforms offering free downloads often operate within legal boundaries, ensuring that the materials they provide are either in the public domain or authorized for distribution. By adhering to copyright laws, users can enjoy the benefits of free access to knowledge while supporting the authors and publishers who make these resources available. In conclusion, the availability of 1988 Ford F150 Radio Wiring Diagram free PDF books and manuals for download has revolutionized the way we access and consume knowledge. With just a few clicks, individuals can explore a vast collection of resources across different disciplines, all free of charge. This accessibility empowers individuals to become lifelong learners, contributing to personal growth, professional development, and the advancement of society as a whole. So why not unlock a world of knowledge today? Start exploring the vast sea of free PDF books and manuals waiting to be discovered right at your fingertips.

FAQs About 1988 Ford F150 Radio Wiring Diagram Books

How do I know which eBook platform is the best for me? Finding the best eBook platform depends on your reading preferences and device compatibility. Research different platforms, read user reviews, and explore their features before making a choice. Are free eBooks of good quality? Yes, many reputable platforms offer high-quality free eBooks, including classics and public domain works. However, make sure to verify the source to ensure the eBook credibility. Can I read eBooks without an eReader? Absolutely! Most eBook platforms offer web-based readers or mobile apps that allow you to read eBooks on your computer, tablet, or smartphone. How do I avoid digital eye strain while reading eBooks? To prevent digital eye strain, take regular breaks, adjust the font size and background color, and ensure proper lighting while reading eBooks. What the advantage of interactive eBooks? Interactive eBooks incorporate multimedia elements, quizzes, and activities, enhancing the reader engagement and providing a more immersive learning experience. 1988 Ford F150 Radio Wiring Diagram is one of the best book in our library for free trial. We provide copy of 1988 Ford F150 Radio Wiring Diagram in digital format, so the resources that you find are reliable. There are also many Ebooks of related with 1988 Ford F150 Radio Wiring Diagram. Where to download 1988 Ford F150 Radio Wiring Diagram online for free? Are you looking for 1988 Ford F150 Radio Wiring Diagram PDF? This is definitely going to save you time and cash in something you should think about.

Find 1988 Ford F150 Radio Wiring Diagram :

[adafruit dc motor tutorial](#)

acura mdx b12 service cost

[ademco vista 128fb user manual](#)

[activity document based reconstruction](#)

addison wesley chemistry guided reading and study workbook answers

adaptation lab activity answers

acura rsx automatic transmission problems

adieu gary cooper

adams solution manual

[activity 2 puzzling pedigrees](#)

activesync setup guide

[ademco alarm user guide](#)

[acuson sequoia c256 service manual](#)

~~activities for honeycomb and hexagons~~

acura el repair help

1988 Ford F150 Radio Wiring Diagram :

Key to Vocab Lessons.pdf Wordly Wise 3000 Book 7 Student Book Answer Key. 3. Page 4. Lesson 3. 3A Finding Meanings p. 23. 1. b-c 5. c-b. 8. d-a. 2. d-a. 6. a-d. 9. a-d. 3. d-a. 7. a-d. Wordly Wise, Grade 7 - Key | PDF PNONawN Wordly Wise 3000 « Student Book Answer Key 7 7 10. The claims are not plausible. 11. The evidence would have to be conclusive. 12. People would ... Wordly Wise 3000 Book 7 & Answer Key It is scheduled as optional in the Language Arts H Instructor's Guide. ... Consumable. Introduces students to 300 vocabulary words. Students learn the meaning and ... Wordly Wise 4th Edition Book 7 Answer Key... www.ebsbooks.ca Wordly Wise 3000 Answer Key Full PDF Grade 11." Wordly Wise 3000 Book 7 AK 2012-04-09 3rd Edition This answer key accompanies the sold- separately Wordly Wise 3000, Book 10, 3rd Edition. WebAug ... Wordly Wise 3000 Book 7: Systematic Academic ... Our resource for Wordly Wise 3000 Book 7: Systematic Academic Vocabulary Development includes answers to chapter exercises, as well as detailed information to ... Wordly Wise 3000 Book 7 - Answer Key Detailed Description The 12-page key to Wordly Wise 3000, Book 7 contains the answers to the exercises. Author: Kenneth Hodkinson Grade: 10 Pages: 12, ... Wordly Wise 3000 book 7 lesson 1 answers Flashcards Study

with Quizlet and memorize flashcards containing terms like 1A: 1., 2., 3. and more. Wordly Wise 3000 (4th Edition) Grade 7 Key The Wordly Wise 3000 (4th edition) Grade 7 Answer Key provides the answers to the lesson in the Wordly Wise, 4th edition, Grade 7 student book. Technique of Latin Dancing: Laird, W. Specialist product for the advanced latin dancers, good reference book for potential teachers. not for beginners or people without basic knowledge. Technique of Latin Dance 7th Edition (BOOK) 9070 Technique of Latin Dance 7th Edition (BOOK) 9070 edited by Walter Laird. Clear, precise and logical presentations of the principles and techniques of Latin ... Latin Technique Latin Technique. Latin Basics - the Mechanics of Latin Dancing · Latin Basic Movement · Latin Turns · Latin Positions and Partnering · Latin Styling. Latin Technique Also a great latin dance book is "A Technique Of Advanced Latin American Figures" by Geoffrey Hearn, this book contains developments and definitions of ... LAIRD TECHNIQUE OF LATIN DANCING (NEW 2022 ... This new edition of the Laird Technique of Latin Dancing is the first major revision since 2014. It is a definite 'must have' for anyone training candidates ... The Laird Technique Of Latin Dancing (Book) The clear, precise and logical presentation of the principles and techniques of Latin dancing in the book will make a study of this fascinating subject an ... Buy 9070 The Laird Technique Of Latin Dancing The "Laird" technique is used throughout the world for the training of medal test pupils, students, trainers, teachers and coaches and is also used as the ... Ebook - Technique of Latin Dancing (Latin General) This book presents in a clear and logical manner details of the techniques upon which the. Latin-American dances are based. A knowledge of these techniques ... Walter Laird - Technique of Latin Dancing (... It is essential that dancers, particularly in the formative stages of their training, are taught figures that use techniques based on sound principles to help ... Ch. 4 - Comprehensive Problem 1 8 Net income. 31425... Comprehensive Problem 1 □ 8 Net income. \$31,425 Kelly Pitney began her consulting business. Kelly Consulting, on April 1, 20Y8. The accounting cycle for Kelly ... Solved Comprehensive Problem 1 Part 1: The following is a Dec 12, 2019 — This problem has been solved! You'll get a detailed solution from a subject matter expert that helps you learn core concepts. See Answer ... 4-8j Comprehensive Problem 1 Kelly Pitney began her ... Mar 15, 2021 — This problem has been solved! You'll get a detailed solution from a subject matter expert that helps you learn core concepts. Cheat sheet - n/a - Comprehensive Problem 1 Kelly Pitney ... Comprehensive Problem 1. Kelly Pitney began her consulting business, Kelly Consulting, on April 1, 2016. The accounting cycle for Kelly Consulting for April ... Part 1 Comprehensive Problem 1: Kelly Pitney began her ... Report issue. Part 1 Comprehensive Problem 1: Kelly Pitney began her consulting business, Kelly Consulting, P.C.. NOT RATED. Purchase the answer to view it. Comprehensive Problem 1.docx Comprehensive Problem 1 Part 1: The following is a comprehensive problem which encompasses all of the elements learned in previous chapters. ACC I Comprehensive problem #1.docx Part 1 Comprehensive Problem 1: The following is a comprehensive problem which encompasses all of the elements learned in previous chapters. Comprehensive Problem Part I (pdf) Comprehensive Problem 1 Part 1: The following is a comprehensive problem which encompasses all of the elements learned in previous chapters.

Answered: Comprehensive Problem 1 Part 1 Mar 8, 2021 — Comprehensive Problem 1 Part 1: The following is a comprehensive problem which encompasses all of the elements learned in previous chapters.