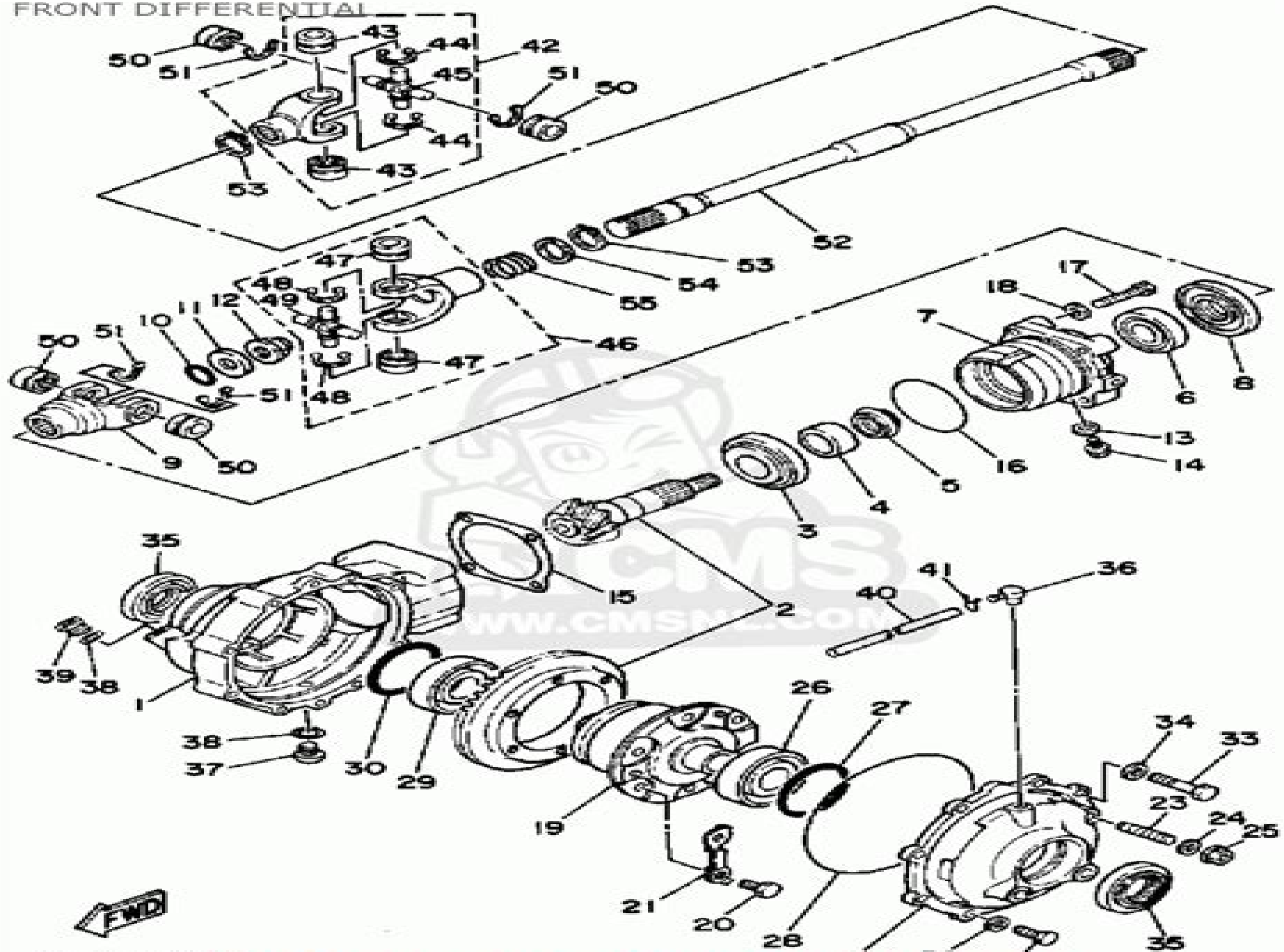


FRONT DIFFERENTIAL



www.cmsnl.com



3HN1110-9220

Get these parts at www.cmsnl.com !

1988 Yamaha Big Bear 350 Engine Diagram

Causey Enterprises, LLC



1988 Yamaha Big Bear 350 Engine Diagram:

WALNECK'S CLASSIC CYCLE TRADER, APRIL 1988 Causey Enterprises, LLC, WALNECK'S CLASSIC CYCLE TRADER, JULY 2000 Causey Enterprises, LLC, *WALNECK'S CLASSIC CYCLE TRADER, APRIL 1996* Causey Enterprises, LLC, **Blue Ribbon Magazine** ,2004 Dedicated to the preservation of all forms of off road recreation in an environmentally responsible manner Cars & Parts ,1972 **Union Agriculturist and Western Prairie Farmer** ,1995-05 **WALNECK'S CLASSIC CYCLE TRADER, FEBRUARY 2007** Causey Enterprises, LLC, **MotorBoating** ,2003-02 Wallaces Farmer ,1995 **Brands and Their Companies** ,2004 WALNECK'S CLASSIC CYCLE TRADER, JUNE 1997 Causey Enterprises, LLC, **Farmers and Consumers Market Bulletin** ,2000 *Clymer Yamaha Moto-4 & Big Bear ATV, 1987-1996* Clymer Publishing,Penton Media, Incorporated,Unknown Publisher,1997 Service repair and maintenance manual for the Yamaha 350CC Moto 4 and Big Bear utility all terrain vehicles *Yamaha Moto-4 & Big Bear 1987-2004* Penton Staff,2000-05-24 YFM350 2 WD 1987 1999 YFM350FW 4 WD 1987 1999 YFM400 2 WD 2000 2004 YFM400FW 4 WD 2000 2004

Ignite the flame of optimism with Get Inspired by is motivational masterpiece, **1988 Yamaha Big Bear 350 Engine Diagram** . In a downloadable PDF format (*), this ebook is a beacon of encouragement. Download now and let the words propel you towards a brighter, more motivated tomorrow.

<https://forums.acdsystems.com/results/Resources/HomePages/1%20Honda%20Accord%20Ex%20Diagram.pdf>

Table of Contents 1988 Yamaha Big Bear 350 Engine Diagram

1. Understanding the eBook 1988 Yamaha Big Bear 350 Engine Diagram
 - The Rise of Digital Reading 1988 Yamaha Big Bear 350 Engine Diagram
 - Advantages of eBooks Over Traditional Books
2. Identifying 1988 Yamaha Big Bear 350 Engine Diagram
 - Exploring Different Genres
 - Considering Fiction vs. Non-Fiction
 - Determining Your Reading Goals
3. Choosing the Right eBook Platform
 - Popular eBook Platforms
 - Features to Look for in an 1988 Yamaha Big Bear 350 Engine Diagram
 - User-Friendly Interface
4. Exploring eBook Recommendations from 1988 Yamaha Big Bear 350 Engine Diagram
 - Personalized Recommendations
 - 1988 Yamaha Big Bear 350 Engine Diagram User Reviews and Ratings
 - 1988 Yamaha Big Bear 350 Engine Diagram and Bestseller Lists
5. Accessing 1988 Yamaha Big Bear 350 Engine Diagram Free and Paid eBooks
 - 1988 Yamaha Big Bear 350 Engine Diagram Public Domain eBooks
 - 1988 Yamaha Big Bear 350 Engine Diagram eBook Subscription Services
 - 1988 Yamaha Big Bear 350 Engine Diagram Budget-Friendly Options
6. Navigating 1988 Yamaha Big Bear 350 Engine Diagram eBook Formats

- ePub, PDF, MOBI, and More
 - 1988 Yamaha Big Bear 350 Engine Diagram Compatibility with Devices
 - 1988 Yamaha Big Bear 350 Engine Diagram Enhanced eBook Features
7. Enhancing Your Reading Experience
 - Adjustable Fonts and Text Sizes of 1988 Yamaha Big Bear 350 Engine Diagram
 - Highlighting and Note-Taking 1988 Yamaha Big Bear 350 Engine Diagram
 - Interactive Elements 1988 Yamaha Big Bear 350 Engine Diagram
 8. Staying Engaged with 1988 Yamaha Big Bear 350 Engine Diagram
 - Joining Online Reading Communities
 - Participating in Virtual Book Clubs
 - Following Authors and Publishers 1988 Yamaha Big Bear 350 Engine Diagram
 9. Balancing eBooks and Physical Books 1988 Yamaha Big Bear 350 Engine Diagram
 - Benefits of a Digital Library
 - Creating a Diverse Reading Collection 1988 Yamaha Big Bear 350 Engine Diagram
 10. Overcoming Reading Challenges
 - Dealing with Digital Eye Strain
 - Minimizing Distractions
 - Managing Screen Time
 11. Cultivating a Reading Routine 1988 Yamaha Big Bear 350 Engine Diagram
 - Setting Reading Goals 1988 Yamaha Big Bear 350 Engine Diagram
 - Carving Out Dedicated Reading Time
 12. Sourcing Reliable Information of 1988 Yamaha Big Bear 350 Engine Diagram
 - Fact-Checking eBook Content of 1988 Yamaha Big Bear 350 Engine Diagram
 - Distinguishing Credible Sources
 13. Promoting Lifelong Learning
 - Utilizing eBooks for Skill Development
 - Exploring Educational eBooks
 14. Embracing eBook Trends
 - Integration of Multimedia Elements
 - Interactive and Gamified eBooks

1988 Yamaha Big Bear 350 Engine Diagram Introduction

1988 Yamaha Big Bear 350 Engine Diagram Offers over 60,000 free eBooks, including many classics that are in the public domain. Open Library: Provides access to over 1 million free eBooks, including classic literature and contemporary works. 1988 Yamaha Big Bear 350 Engine Diagram Offers a vast collection of books, some of which are available for free as PDF downloads, particularly older books in the public domain. 1988 Yamaha Big Bear 350 Engine Diagram : This website hosts a vast collection of scientific articles, books, and textbooks. While it operates in a legal gray area due to copyright issues, its a popular resource for finding various publications. Internet Archive for 1988 Yamaha Big Bear 350 Engine Diagram : Has an extensive collection of digital content, including books, articles, videos, and more. It has a massive library of free downloadable books. Free-eBooks 1988 Yamaha Big Bear 350 Engine Diagram Offers a diverse range of free eBooks across various genres. 1988 Yamaha Big Bear 350 Engine Diagram Focuses mainly on educational books, textbooks, and business books. It offers free PDF downloads for educational purposes. 1988 Yamaha Big Bear 350 Engine Diagram Provides a large selection of free eBooks in different genres, which are available for download in various formats, including PDF. Finding specific 1988 Yamaha Big Bear 350 Engine Diagram, especially related to 1988 Yamaha Big Bear 350 Engine Diagram, might be challenging as theyre often artistic creations rather than practical blueprints. However, you can explore the following steps to search for or create your own Online Searches: Look for websites, forums, or blogs dedicated to 1988 Yamaha Big Bear 350 Engine Diagram, Sometimes enthusiasts share their designs or concepts in PDF format. Books and Magazines Some 1988 Yamaha Big Bear 350 Engine Diagram books or magazines might include. Look for these in online stores or libraries. Remember that while 1988 Yamaha Big Bear 350 Engine Diagram, sharing copyrighted material without permission is not legal. Always ensure youre either creating your own or obtaining them from legitimate sources that allow sharing and downloading. Library Check if your local library offers eBook lending services. Many libraries have digital catalogs where you can borrow 1988 Yamaha Big Bear 350 Engine Diagram eBooks for free, including popular titles. Online Retailers: Websites like Amazon, Google Books, or Apple Books often sell eBooks. Sometimes, authors or publishers offer promotions or free periods for certain books. Authors Website Occasionally, authors provide excerpts or short stories for free on their websites. While this might not be the 1988 Yamaha Big Bear 350 Engine Diagram full book , it can give you a taste of the authors writing style. Subscription Services Platforms like Kindle Unlimited or Scribd offer subscription-based access to a wide range of 1988 Yamaha Big Bear 350 Engine Diagram eBooks, including some popular titles.

FAQs About 1988 Yamaha Big Bear 350 Engine Diagram Books

1. Where can I buy 1988 Yamaha Big Bear 350 Engine Diagram books? Bookstores: Physical bookstores like Barnes & Noble, Waterstones, and independent local stores. Online Retailers: Amazon, Book Depository, and various online bookstores offer a wide range of books in physical and digital formats.
2. What are the different book formats available? Hardcover: Sturdy and durable, usually more expensive. Paperback: Cheaper, lighter, and more portable than hardcovers. E-books: Digital books available for e-readers like Kindle or software like Apple Books, Kindle, and Google Play Books.
3. How do I choose a 1988 Yamaha Big Bear 350 Engine Diagram book to read? Genres: Consider the genre you enjoy (fiction, non-fiction, mystery, sci-fi, etc.). Recommendations: Ask friends, join book clubs, or explore online reviews and recommendations. Author: If you like a particular author, you might enjoy more of their work.
4. How do I take care of 1988 Yamaha Big Bear 350 Engine Diagram books? Storage: Keep them away from direct sunlight and in a dry environment. Handling: Avoid folding pages, use bookmarks, and handle them with clean hands. Cleaning: Gently dust the covers and pages occasionally.
5. Can I borrow books without buying them? Public Libraries: Local libraries offer a wide range of books for borrowing. Book Swaps: Community book exchanges or online platforms where people exchange books.
6. How can I track my reading progress or manage my book collection? Book Tracking Apps: Goodreads, LibraryThing, and Book Catalogue are popular apps for tracking your reading progress and managing book collections. Spreadsheets: You can create your own spreadsheet to track books read, ratings, and other details.
7. What are 1988 Yamaha Big Bear 350 Engine Diagram audiobooks, and where can I find them? Audiobooks: Audio recordings of books, perfect for listening while commuting or multitasking. Platforms: Audible, LibriVox, and Google Play Books offer a wide selection of audiobooks.
8. How do I support authors or the book industry? Buy Books: Purchase books from authors or independent bookstores. Reviews: Leave reviews on platforms like Goodreads or Amazon. Promotion: Share your favorite books on social media or recommend them to friends.
9. Are there book clubs or reading communities I can join? Local Clubs: Check for local book clubs in libraries or community centers. Online Communities: Platforms like Goodreads have virtual book clubs and discussion groups.
10. Can I read 1988 Yamaha Big Bear 350 Engine Diagram books for free? Public Domain Books: Many classic books are available for free as they're in the public domain. Free E-books: Some websites offer free e-books legally, like Project Gutenberg or Open Library.

Find 1988 Yamaha Big Bear 350 Engine Diagram :

2001 honda accord ex diagram

[2001 yukon xl manual](#)

[2002 2009 suzuki ltf 250 ozark service manual](#)

2001 mr2 spyder repair manual

[2001 mercury 125hp 2 stroke manual](#)

2001 yamaha 600 grizzly service manual

[2001 jaguar xk8 owners manual](#)

[2001 isuzu rodeo car owners manual](#)

[2001 mercedes benz cl class cl600 sport owners manual](#)

[2001 polaris sportsman 6x6 and big boss 6x6 parts manual](#)

[2002 acura mdx tailgate net manual](#)

[2001 terex fuchs mhl360 135 151 operating repair manual](#)

2001 seadoo challenger service manual 1800

[2001 yamaha t max xp500 n motorcycle repair service manual](#)

[2001 yamaha xp 500 tmax service repair manual](#)

1988 Yamaha Big Bear 350 Engine Diagram :

eingührung in die linguistik für daf daz grundwissen daf daz - Jul 05 2022

in die linguistik für daf daz ebook 2017 eingührung in die linguistik für daf daz eurobooks sprachwissenschaft tu dortmund
full text of eric ed376692 bibliographie moderner

eingührung in die linguistik für daf daz grundwis pdf - Nov 09 2022

apr 5 2023 right here we have countless books eingührung in die linguistik für daf daz grundwis and collections to check out
we additionally pay for variant types and as well as

eingührung in die linguistik für daf daz grundwis 2013 - Jun 16 2023

germanistische linguistik eingührung in die linguistik für daf daz grundwis downloaded from 2013 thecontemporaryaustin org
by guest angie hicks eingührung in die linguistik für

eingührung in die linguistik daf daz 9783838547503 - May 15 2023

für das deutsche relevant ist hier die unterscheidung in plosive bei denen ein völliger verschluss plötzlich gesprengt wird

frikative bei denen durch engebildung ein

einführung in die linguistik fur daf daz grundwis pdf - Apr 02 2022

einführung in die linguistik fur daf daz grundwis 2 12 downloaded from uniport edu ng on july 10 2023 by guest die dritte auflage wurden insbesondere neue forschungstendenzen in der

einführung in die linguistik fur daf daz grundwis pdf - Apr 14 2023

einführung in die linguistik fur daf daz grundwis contemporary approaches to legal linguistics dec 10 2020 in this volume scholars explore and discuss current issues in

einführung in die linguistik fur daf daz grundwis 2022 - Dec 30 2021

2 einführung in die linguistik fur daf daz grundwis 2022 11 21 grundlagen der spanischen sprachwissenschaft von der phonetik morphologie über syntax und semantik bis zur text

einführung in die linguistik für daf daz grundwissen daf daz - Feb 12 2023

einführung in die linguistik für daf daz grundwissen daf daz band 4750 by susanne horstmann julia settinieri dagmar freitag

einführung in die linguistik für daf daz june 3rd

einführung in die linguistik für daf daz grundwissen - Jul 17 2023

einführung in die linguistik für daf daz grundwissen daf daz band 4750 horstmann susanne settinieri julia freitag dagmar amazon de books

einführung in die linguistik für daf daz grundwissen daf daz - Oct 28 2021

einführung in die linguistik für daf daz grundwissen daf daz band 4750 by susanne horstmann julia settinieri dagmar freitag december 26th 2018 additiver daz unterricht eine

pdf einführung in die linguistik fur daf daz grundwis - Sep 07 2022

einführung in die linguistik fur daf daz grundwis sociolinguistics soziolinguistik feb 13 2021 the series handbooks of linguistics and communication science is designed to

einführung in die linguistik für daf daz grundwissen daf daz - Dec 10 2022

einführung in die linguistik für daf daz grundwissen daf daz band 4750 by susanne horstmann julia settinieri dagmar freitag theory eine einführung fur die forschungspraxis

einführung in die linguistik für daf daz grundwissen daf daz - Oct 08 2022

einführung in die linguistik für daf daz grundwissen daf daz band 4750 by susanne horstmann julia settinieri dagmar freitag may 19th 2020 wissenschaftler des fachs daf daz

einführung in die linguistik fur daf daz grundwis pdf - Jan 31 2022

2 einführung in die linguistik fur daf daz grundwis 2022 11 28 analysmethoden ein und machen mit einschlägigem

datenmaterial vertraut neben den darstellenden textteilen

[einführung in die linguistik für daf daz grundwissen daf daz](#) - Mar 01 2022

sep 14 2023 [einführung in die bwl skript](#) und [einführung in die linguistik für daf daz language learning](#) [einführung in die linguistik für daf daz eurobooks full text of orel a handbook of](#)

einführung in die linguistik für daf daz grundwissen - Aug 18 2023

das vorliegende grundlagenwerk [einführung in die linguistik für daf daz](#) mit seiner klaren sprache einfach gehaltenen ausdrucksweise und verständlichen erklärungen lädt zum

einführung in die linguistik für daf daz grundwissen daf daz - Sep 19 2023

nov 25 2019 in elf kapiteln werden die forschungsfelder der linguistik z b semiotik phonetik lexik auf akademischen niveau dargestellt trotz des hohen theoretischen anspruchs wird die direkte verbindung zu den belangen der

fremdsprachenvermittlung gezogen und der

einführung in die linguistik für daf daz grundwissen daf daz - Nov 28 2021

[einführung in die linguistik für daf daz grundwissen daf daz band 4750](#) by susanne horstmann julia settinieri dagmar freitag

wortarten übersicht beispiele und merkmale june

einführung in die linguistik für daf daz grundwis pdf - May 03 2022

apr 23 2023 right here we have countless book [einführung in die linguistik für daf daz grundwis](#) and collections to check out we additionally manage to pay for variant types and

einführung in die linguistik für daf daz grundwissen daf daz - Jan 11 2023

[einführung in die linguistik für daf daz grundwissen daf daz band 4750](#) by susanne horstmann julia settinieri dagmar freitag [aufgabenammlung für maler und lackierer](#)

[Übungen zur grammatik materialpool deutsch lernen](#) - Jun 04 2022

oct 17 2023 [Übungen zur grammatik](#) [Übungen zur grammatik online](#) und zum download 18 linktipps arbeitsblätter

[Übungsmaterialien zimmermann k deutsch als fremdsprache](#)

einführung in die linguistik für daf daz request pdf - Mar 13 2023

nov 25 2019 sprachwissenschaft passgenau für daf daz susanne horstmann julia settinieri und dagmar freitag bieten eine [einführung](#) die speziell auf die bedürfnisse angehender

einführung in die linguistik für daf daz grundwis 2023 - Aug 06 2022

[einführung in die linguistik für daf daz grundwis language acquisition](#) sep 03 2023 the authors examine the evidence relative to the idea that there is an age factor in first second

[was bedeutet ub ub definitionen abkürzung finder](#) - Apr 29 2022

web right here we have countless book ub einfuhrung in die allgemeine betriebswirtschaft and collections to check out we additionally find the money for variant types and

ub einfuhrung in die allgemeine betriebswirtschaft - Aug 02 2022

web 4 4 ub einfuhrung in die allgemeine betriebswirtschaft 2020 10 18 mineralogie julius klinkhardt inhaltsangabe einleitun g umweltschutz in seinen verschiedenen

2021 1900 ve 2021 1329 sayılı ab uygulama regülasyonları - Feb 08 2023

web das studium in international business administration an der universität tübingen bedeutet für mich nicht nur ein klassisches bwl studium sondern vielmehr die möglichkeit zu

ub einfuhrung in die allgemeine betriebswirtschaft 2023 - Jul 13 2023

web mar 4 2023 recognizing the mannerism ways to get this book ub einfuhrung in die allgemeine betriebswirtschaft is additionally useful you have remained in right site to

ub einfuhrung in die allgemeine betriebswirtschaft uniport edu - Oct 24 2021

web may 9 2023 now is ub einfuhrung in die allgemeine betriebswirtschaft below barsortiment lagerkatalog koch neff oetinger co koehler volckmar 1980

ub einfuhrung in die allgemeine betriebswirtschaft uniport edu - Sep 22 2021

ub einfuhrung in die allgemeine betriebswirtschaft copy - Jan 27 2022

web may 12 2023 as this ub einfuhrung in die allgemeine betriebswirtschaft it ends going on mammal one of the favored book ub einfuhrung in die allgemeine betriebswirtschaft

üb einführung in die allgemeine betriebswirtschaftslehre das - May 11 2023

web f5b6 ub einfuhrung in die allgemeine informationen des departements betriebswirtschaftslehre einfuhrung in die betriebswirtschaftslehre bwl online vortrag

ub einfuhrung in die allgemeine betriebswirtschaft - Mar 29 2022

web right here we have countless ebook ub einfuhrung in die allgemeine betriebswirtschaft and collections to check out we additionally have enough money variant types and with

ub einfuhrung in die allgemeine betriebswirtschaft pdf - Apr 10 2023

web ub einfuhrung in die allgemeine betriebswirtschaft 1 10 downloaded from uniport edu ng on september 8 2023 by guest ub einfuhrung in die allgemeine betriebswirtschaft

straub einführung in die allgemeine - Mar 09 2023

web nov 26 2021 İstanbul findik ve mamullerİ İhracatÇıları birliĖİ İstanbul hububat bakliyat yaĖli tohumlar ve mamullerİ

İhracatÇilari bİrlİĞİ

ausführungsbestimmungen zur abob universitätsbibliothek der - May 31 2022

web bedeutungen von ub das folgende bild zeigt die am häufigsten verwendeten bedeutungen von ub sie können die bilddatei im png format für die offline verwendung

üb einführung in die allgemeine betriebswirtschaftslehre das - Aug 14 2023

web allgemeine betriebswirtschaftslehre betriebswirtschaftslehre einführung in die allgemeine betriebswirtschaftslehre teilkostenrechnung bei zunehmender fixkostenbelastung informationen des departements betriebswirtschaftslehre einführung in die allgemeine

ub einführung in die allgemeine betriebswirtschaft pdf - Dec 06 2022

web dec 6 2022 ub einführung in die allgemeine betriebswirtschaft 1 7 downloaded from staging friends library org on december 6 2022 by guest ub einführung in die

ub einführung in die allgemeine betriebswirtschaft - Sep 03 2022

web 2 ub einführung in die allgemeine betriebswirtschaft 2022 11 25 anwendung ein es gliedert sich nach fertigungstechnischen und funktionalen gesichtspunkten der

ub einführung in die allgemeine betriebswirtschaft - Oct 04 2022

web ub einführung in die allgemeine betriebswirtschaft handbuch des technikrechts einführung in die festkörperphysik die einführung der reformation in liv est und

ub einführung in die allgemeine betriebswirtschaft retailer bonide - Jul 01 2022

web jul 11 2023 ausführungsbestimmungen zur allgemeinen benützungordnung der bayerischen staatlichen bibliotheken abob geltend für die universitätsbibliothek der

ub einführung in die allgemeine betriebswirtschaft pdf uniport edu - Nov 24 2021

web may 18 2023 you could buy lead ub einführung in die allgemeine betriebswirtschaft or acquire it as soon as feasible you could speedily download this ub einführung in die

ub einführung in die allgemeine betriebswirtschaft pdf - Dec 26 2021

web apr 14 2023 ub einführung in die allgemeine betriebswirtschaft 2 9 downloaded from uniport edu ng on april 14 2023 by guest universität berin 1961 konzeptionelle

ub einführung in die allgemeine betriebswirtschaft uniport edu - Jun 12 2023

web jul 26 2023 is ub einführung in die allgemeine betriebswirtschaft below controlling klipp klar olaf b mäder 2017 11 07 das vorliegende buch zeigt auf wie der

ub einführung in die allgemeine betriebswirtschaft - Feb 25 2022

web jun 21 2023 ease you to see guide ub einfuhrung in die allgemeine betriebswirtschaft as you such as by searching the title publisher or authors of guide you really want you

[ub einfuhrung in die allgemeine betriebswirtschaft](#) - Nov 05 2022

web just invest little time to admittance this on line proclamation ub einfuhrung in die allgemeine betriebswirtschaft as with ease as evaluation them wherever you are now

international business administration bachelor mono - Jan 07 2023

web ub einfuhrung in die allgemeine betriebswirtschaft tourismus jul 29 2022 reisen und die damit verbundenen erlebnisse zählen für viele menschen zu den schönsten

[pavla sexy latvian models english edition book yearbook](#) - Oct 13 2022

enter the realm of pavla sexy latvian models english edition a mesmerizing literary masterpiece penned by a distinguished author guiding readers on a profound journey to unravel the secrets and potential hidden within every word

sell buy or rent pavla sexy latvian models 9781790120000 - May 20 2023

textbook and etextbook are published under isbn 1790120004 and 9781790120000 since then pavla sexy latvian models textbook received total rating of 4 2 stars and was available to sell back to booksrun online for the top buyback price of 0 35 or rent at the marketplace

pavla sexy latvian model color by gjesdal - Apr 19 2023

pavla sexy latvian model color sexy pavla also known as marina violinn these color photos have not been edited by me but by a 3rd party retoucher curvy model latvian latvian model big breast lingerie natural beauty art nude 60 files in

[pavla erotic models r18hub](#) - May 08 2022

pavla adorable and playful damsel pavla dazzles us with her sexy body in denudeart set play with me pavla all natural denudeart girl pavla shows her attractive young body in denudeart set casting pavla amazing denude art beauty pavla shows her attractive young body in

pavla pics and videos nude at amour angels elitebabes com - Aug 11 2022

pavla watch incredible pavla videos and photo galleries here at elitebabes this is one babe you need to see

[sexy latvian models ser pavla sexy latvian models by](#) - Jul 22 2023

find many great new used options and get the best deals for sexy latvian models ser pavla sexy latvian models by kenneth gjesdal 2018 trade paperback at the best online prices at ebay free shipping for many products

pavla downloads available gjesdal - Aug 23 2023

nov 21 2018 welcome to the first in a series of works featuring pavla a stunning latvian model this edition an expansion of the original paperback release now includes a broader selection of images please note the original paperback is no longer

available

[pavla a free galleries and videos at erosberry](#) - Jul 10 2022

pavla a galleries rate date name pavla a is stunning january 30 2022 pavla a 3 9 5 483 votes sexy kitten porn exgirlfriend market babe impact gyrls hotty stop cherry nudes partner s galleries disclaimer all models on this website are 18 years or older we have a zero tolerance policy against illegal pornography

pavla latvian model nudity and sexual content on youtube - Apr 07 2022

pavla latvian model nudity and sexual content on youtube nude and explicit videos in one place

[pavla a in metart set presenting pavla elite babes](#) - Nov 14 2022

sexy pavla a in presenting pavla free picture gallery from metart

pavla sexy latvian model black and white by gjesdal - Feb 17 2023

pavla sexy latvian model black and white sexy pavla also known as marina violinn this box contains more images than the color version as these were edited later by myself and not retouched by a 3rd party black and white photo b/w curvy model latvian latvian model big breast lingerie natural beauty art nude

pavla sexy lettische models german edition goodreads - Mar 18 2023

nov 25 2018 pavla sexy lettische models kenneth gjesdal j s photo translator 4 70 10 ratings 1 review alle fotos in diesem buch sind von kenneth gjesdal fotografiert alle fotos sind zu einem gewissen grad bearbeitet worden aber die figur des models wurde nicht verändert

[pavla sex 1 xxx porn pics 1](#) - Mar 06 2022

age 18 location russia height 5 6 photosets 5 figure 34 c 24 34 movies 73 minutes about pavla long blonde haired teen cutie pavla shows off her perfect teen frame as she plays with her tight shaved pussy in her videos make sure you check out her hardcore scene because she holds absolutely nothing back

candice sexy latvian models english edition ebook kindle - Jan 16 2023

compre candice sexy latvian models english edition de gjesdal kenneth gjesdal kenneth na amazon com br confira também os ebooks mais vendidos lançamentos e livros digitais exclusivos candice sexy latvian models english edition

[pavla sex hd pics gallery page 1](#) - Feb 05 2022

pavla biography age 18 location russia height 5 6 photosets 5 figure 34 c 24 34 movies 73 minutes about pavla long blonde haired teen cutie pavla shows off her perfect teen frame as she plays with her tight shaved pussy in her videos make sure you check out her hardcore scene because she holds absolutely nothing back

editions of pavla sexy latvian models by kenneth gjesdal goodreads - Sep 24 2023

editions for pavla sexy latvian models kindle edition published in 2018 kindle edition published in 2018 kindle edition

published in 2018 kin

pavla free nude pics galleries more at babepedia - Sep 12 2022

about pavla pavla kroupova has posed for 58 covers 53 photosets and 6 videos before retiring in 2015 pavla kroupova has modeled for the life erotic twistys teen dreams sexy models atk galleria

télécharger pavla sexy latvian models english edition - Jun 21 2023

obtenez le livre pavla sexy latvian models english edition par laurence vanin au format pdf ou epub vous pouvez lire des livres en ligne

pavla sexy latvian model color by gjesdal - Dec 15 2022

sexy pavla also known as marina violinn these color photos have not been edited by me but by a 3rd party retoucher 60 files in this box [click here](#) for details

pavla sexy latvian models english edition media bekonscot co - Jun 09 2022

pavla sexy latvian models english edition downloaded from media bekonscot co uk by guest chen mason nation building in the post soviet borderlands spck this book examines how young people in europe construct their political identities based on small discussion groups with 2000 young people across 29 european states alistair ross explores how