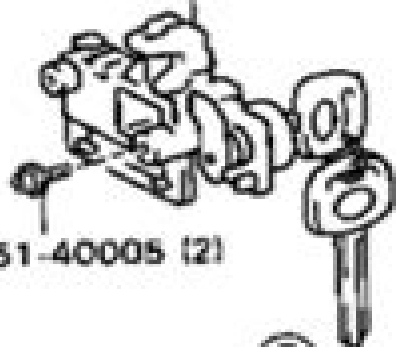


69503A 69503A 69503A



2

69062



90151-40005 (2)

5

69055A

69759G

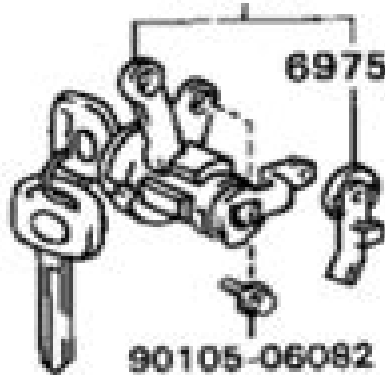


69581A

3

69051

69759R

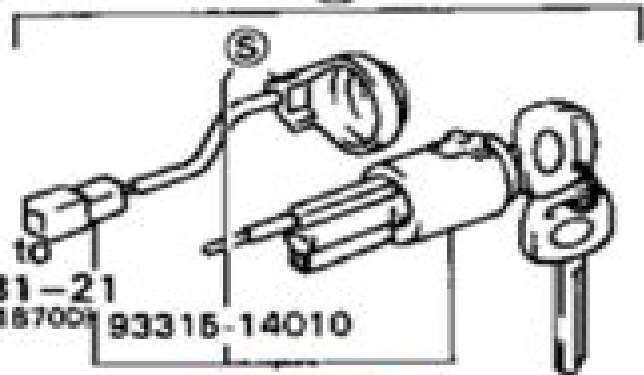


90105-06082

1

Refer to
FIG. 81-21
PNC 818700

93315-14010

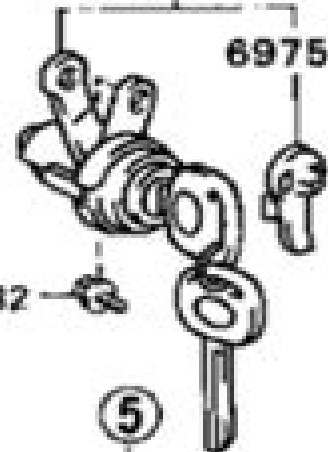


89057A

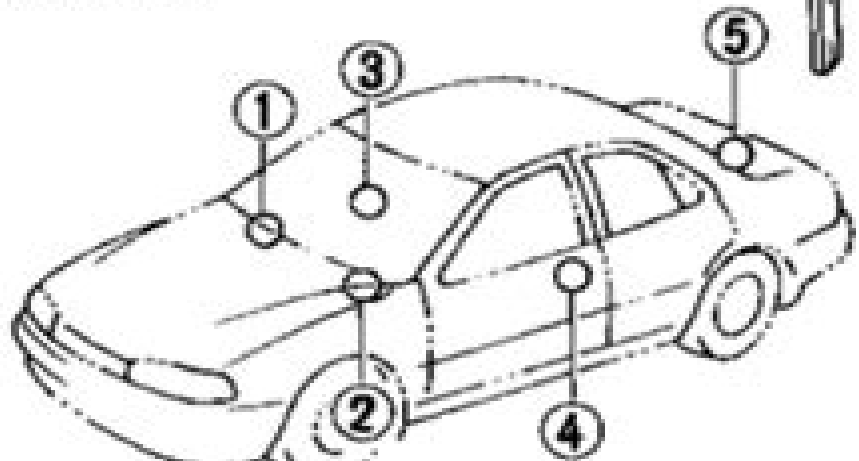
4

69052

69759R



90105-06082



1988 Toyota Camry Ignition Lock Set

R Bogdan



1988 Toyota Camry Ignition Lock Set:

Toyota Camry 1983-88 Chilton Book Company,1989 You paid a lot for your car Let Chilton help you to maintain its value Complete chapter on owner maintenance Expanded index to help you find whatever you want FAST All charts up to date with every year of coverage Every subject completely covered in one place where you can find it FAST 16 pages of color on fuel economy body repair maintenance and MUCH MORE *Autocar & Motor* ,1990-03 **Popular Mechanics** ,1996-02 Popular Mechanics inspires instructs and influences readers to help them master the modern world Whether it s practical DIY home improvement tips gadgets and digital technology information on the newest cars or the latest breakthroughs in science PM is the ultimate guide to our high tech lifestyle **Consumer Product Safety Review** ,1996 **Good Housekeeping** ,1988 *Lemon-Aid Car Guide 2000* Phil Edmonston,2000-02 Everything consumers need to know about cars *Popular Mechanics* ,1996 **Road and Track** ,1983 **Business Week** ,1993 **Autocar** ,1995 1988 *Toyota Camry Repair Manual* Toyota Jidōsha Hanbai Kabushiki Kaisha,1988 **Toyota Camry SV20 Series, 1987-1988** ,1988 **1988 Toyota Camry All-trac/4WD Repair Manual** Toyota Jidōsha Kabushiki Kaisha,1987 **Chilton Book Company Repair & Tune-up Guide** Kerry A. Freeman,Richard J. Rivele,John M. Baxter,1987 *Toyota Camry, 1987-1988* ,1988

Reviewing **1988 Toyota Camry Ignition Lock Set**: Unlocking the Spellbinding Force of Linguistics

In a fast-paced world fueled by information and interconnectivity, the spellbinding force of linguistics has acquired newfound prominence. Its capacity to evoke emotions, stimulate contemplation, and stimulate metamorphosis is actually astonishing. Within the pages of "**1988 Toyota Camry Ignition Lock Set**," an enthralling opus penned by a highly acclaimed wordsmith, readers attempt an immersive expedition to unravel the intricate significance of language and its indelible imprint on our lives. Throughout this assessment, we shall delve into the book's central motifs, appraise its distinctive narrative style, and gauge its overarching influence on the minds of its readers.

https://forums.acdsystems.com/results/detail/index.jsp/argumentative_essay_topics_about_criminal_justice.pdf

Table of Contents 1988 Toyota Camry Ignition Lock Set

1. Understanding the eBook 1988 Toyota Camry Ignition Lock Set
 - The Rise of Digital Reading 1988 Toyota Camry Ignition Lock Set
 - Advantages of eBooks Over Traditional Books
2. Identifying 1988 Toyota Camry Ignition Lock Set
 - Exploring Different Genres
 - Considering Fiction vs. Non-Fiction
 - Determining Your Reading Goals
3. Choosing the Right eBook Platform
 - Popular eBook Platforms
 - Features to Look for in an 1988 Toyota Camry Ignition Lock Set
 - User-Friendly Interface
4. Exploring eBook Recommendations from 1988 Toyota Camry Ignition Lock Set
 - Personalized Recommendations
 - 1988 Toyota Camry Ignition Lock Set User Reviews and Ratings
 - 1988 Toyota Camry Ignition Lock Set and Bestseller Lists

5. Accessing 1988 Toyota Camry Ignition Lock Set Free and Paid eBooks
 - 1988 Toyota Camry Ignition Lock Set Public Domain eBooks
 - 1988 Toyota Camry Ignition Lock Set eBook Subscription Services
 - 1988 Toyota Camry Ignition Lock Set Budget-Friendly Options
6. Navigating 1988 Toyota Camry Ignition Lock Set eBook Formats
 - ePub, PDF, MOBI, and More
 - 1988 Toyota Camry Ignition Lock Set Compatibility with Devices
 - 1988 Toyota Camry Ignition Lock Set Enhanced eBook Features
7. Enhancing Your Reading Experience
 - Adjustable Fonts and Text Sizes of 1988 Toyota Camry Ignition Lock Set
 - Highlighting and Note-Taking 1988 Toyota Camry Ignition Lock Set
 - Interactive Elements 1988 Toyota Camry Ignition Lock Set
8. Staying Engaged with 1988 Toyota Camry Ignition Lock Set
 - Joining Online Reading Communities
 - Participating in Virtual Book Clubs
 - Following Authors and Publishers 1988 Toyota Camry Ignition Lock Set
9. Balancing eBooks and Physical Books 1988 Toyota Camry Ignition Lock Set
 - Benefits of a Digital Library
 - Creating a Diverse Reading Collection 1988 Toyota Camry Ignition Lock Set
10. Overcoming Reading Challenges
 - Dealing with Digital Eye Strain
 - Minimizing Distractions
 - Managing Screen Time
11. Cultivating a Reading Routine 1988 Toyota Camry Ignition Lock Set
 - Setting Reading Goals 1988 Toyota Camry Ignition Lock Set
 - Carving Out Dedicated Reading Time
12. Sourcing Reliable Information of 1988 Toyota Camry Ignition Lock Set
 - Fact-Checking eBook Content of 1988 Toyota Camry Ignition Lock Set
 - Distinguishing Credible Sources
13. Promoting Lifelong Learning

- Utilizing eBooks for Skill Development
 - Exploring Educational eBooks
14. Embracing eBook Trends
- Integration of Multimedia Elements
 - Interactive and Gamified eBooks

1988 Toyota Camry Ignition Lock Set Introduction

In today's digital age, the availability of 1988 Toyota Camry Ignition Lock Set books and manuals for download has revolutionized the way we access information. Gone are the days of physically flipping through pages and carrying heavy textbooks or manuals. With just a few clicks, we can now access a wealth of knowledge from the comfort of our own homes or on the go. This article will explore the advantages of 1988 Toyota Camry Ignition Lock Set books and manuals for download, along with some popular platforms that offer these resources. One of the significant advantages of 1988 Toyota Camry Ignition Lock Set books and manuals for download is the cost-saving aspect. Traditional books and manuals can be costly, especially if you need to purchase several of them for educational or professional purposes. By accessing 1988 Toyota Camry Ignition Lock Set versions, you eliminate the need to spend money on physical copies. This not only saves you money but also reduces the environmental impact associated with book production and transportation. Furthermore, 1988 Toyota Camry Ignition Lock Set books and manuals for download are incredibly convenient. With just a computer or smartphone and an internet connection, you can access a vast library of resources on any subject imaginable. Whether you're a student looking for textbooks, a professional seeking industry-specific manuals, or someone interested in self-improvement, these digital resources provide an efficient and accessible means of acquiring knowledge. Moreover, PDF books and manuals offer a range of benefits compared to other digital formats. PDF files are designed to retain their formatting regardless of the device used to open them. This ensures that the content appears exactly as intended by the author, with no loss of formatting or missing graphics. Additionally, PDF files can be easily annotated, bookmarked, and searched for specific terms, making them highly practical for studying or referencing. When it comes to accessing 1988 Toyota Camry Ignition Lock Set books and manuals, several platforms offer an extensive collection of resources. One such platform is Project Gutenberg, a nonprofit organization that provides over 60,000 free eBooks. These books are primarily in the public domain, meaning they can be freely distributed and downloaded. Project Gutenberg offers a wide range of classic literature, making it an excellent resource for literature enthusiasts. Another popular platform for 1988 Toyota Camry Ignition Lock Set books and manuals is Open Library. Open Library is an initiative of the Internet Archive, a non-profit organization dedicated to digitizing cultural artifacts and making them accessible to the public. Open Library hosts millions of books, including both public domain works

and contemporary titles. It also allows users to borrow digital copies of certain books for a limited period, similar to a library lending system. Additionally, many universities and educational institutions have their own digital libraries that provide free access to PDF books and manuals. These libraries often offer academic texts, research papers, and technical manuals, making them invaluable resources for students and researchers. Some notable examples include MIT OpenCourseWare, which offers free access to course materials from the Massachusetts Institute of Technology, and the Digital Public Library of America, which provides a vast collection of digitized books and historical documents. In conclusion, 1988 Toyota Camry Ignition Lock Set books and manuals for download have transformed the way we access information. They provide a cost-effective and convenient means of acquiring knowledge, offering the ability to access a vast library of resources at our fingertips. With platforms like Project Gutenberg, Open Library, and various digital libraries offered by educational institutions, we have access to an ever-expanding collection of books and manuals. Whether for educational, professional, or personal purposes, these digital resources serve as valuable tools for continuous learning and self-improvement. So why not take advantage of the vast world of 1988 Toyota Camry Ignition Lock Set books and manuals for download and embark on your journey of knowledge?

FAQs About 1988 Toyota Camry Ignition Lock Set Books

What is a 1988 Toyota Camry Ignition Lock Set PDF? A PDF (Portable Document Format) is a file format developed by Adobe that preserves the layout and formatting of a document, regardless of the software, hardware, or operating system used to view or print it. **How do I create a 1988 Toyota Camry Ignition Lock Set PDF?** There are several ways to create a PDF: Use software like Adobe Acrobat, Microsoft Word, or Google Docs, which often have built-in PDF creation tools. Print to PDF: Many applications and operating systems have a "Print to PDF" option that allows you to save a document as a PDF file instead of printing it on paper. Online converters: There are various online tools that can convert different file types to PDF. **How do I edit a 1988 Toyota Camry Ignition Lock Set PDF?** Editing a PDF can be done with software like Adobe Acrobat, which allows direct editing of text, images, and other elements within the PDF. Some free tools, like PDFescape or Smallpdf, also offer basic editing capabilities. **How do I convert a 1988 Toyota Camry Ignition Lock Set PDF to another file format?** There are multiple ways to convert a PDF to another format: Use online converters like Smallpdf, Zamzar, or Adobe Acrobat's export feature to convert PDFs to formats like Word, Excel, JPEG, etc. Software like Adobe Acrobat, Microsoft Word, or other PDF editors may have options to export or save PDFs in different formats. **How do I password-protect a 1988 Toyota Camry Ignition Lock Set PDF?** Most PDF editing software allows you to add password protection. In Adobe Acrobat, for instance, you can go to "File" -> "Properties" -> "Security" to set a password to restrict

access or editing capabilities. Are there any free alternatives to Adobe Acrobat for working with PDFs? Yes, there are many free alternatives for working with PDFs, such as: LibreOffice: Offers PDF editing features. PDFsam: Allows splitting, merging, and editing PDFs. Foxit Reader: Provides basic PDF viewing and editing capabilities. How do I compress a PDF file? You can use online tools like Smallpdf, ILovePDF, or desktop software like Adobe Acrobat to compress PDF files without significant quality loss. Compression reduces the file size, making it easier to share and download. Can I fill out forms in a PDF file? Yes, most PDF viewers/editors like Adobe Acrobat, Preview (on Mac), or various online tools allow you to fill out forms in PDF files by selecting text fields and entering information. Are there any restrictions when working with PDFs? Some PDFs might have restrictions set by their creator, such as password protection, editing restrictions, or print restrictions. Breaking these restrictions might require specific software or tools, which may or may not be legal depending on the circumstances and local laws.

Find 1988 Toyota Camry Ignition Lock Set :

argumentative essay topics about criminal justice

[argentina guide rough](#)

arm architecture reference manual david seal

[argumentative essay topics football](#)

arkansas guide hunting waterfowl

[areas of circles and sectors practice 10 7 key](#)

~~army class a male uniform guide~~

~~arithmetic sequence frequency~~

army humvee manual

army dress blue setup guide officer

[aromatherapy reference guide](#)

arema manual pandrol

army community leaders information forum

[arizona auto title search](#)

argumentative essay topics for children

1988 Toyota Camry Ignition Lock Set :

geographieunterricht 4 0 chancen und risiken digi - Mar 31 2022

web this books geographieunterricht 4 0 chancen und risiken digi is additionally useful you have remained in right site to begin getting this info get the geographieunterricht 4 0 chancen und risiken digi connect that we come up with the money for here and check out the link you could buy lead geographieunterricht 4 0 chancen und risiken digi

geographieunterricht 4 0 chancen und risiken digitaler medien - Feb 10 2023

web may 23 2023 geographieunterricht 4 0 chancen und risiken digitaler medien für die arbeit im geographieunterricht by martin schaller chancen und risiken der digitalisierung isabel kaufmann 3 häufig mit dem papierlosen üro verbunden für

geographieunterricht 4 0 chancen und risiken digi download - Oct 06 2022

web 4 4 geographieunterricht 4 0 chancen und risiken digi 2023 01 05 unterricht der sekundarstufe i betrachtet neben einer empirischen studie die die frage beantwortet inwiefern derzeit jugendliteratur in der sekundarstufe i zur förderung politischen verstehens eingesetzt wird bieten jugendliterarische beispiele zur förderung politischen

geographieunterricht 4 0 chancen und risiken digi uniport edu - Nov 07 2022

web aug 2 2023 geographieunterricht 4 0 chancen und risiken digi 1 10 downloaded from uniport edu ng on august 2 2023 by guest geographieunterricht 4 0 chancen und risiken digi recognizing the artifice ways to get this ebook

geographieunterricht 4 0 chancen und risiken digi is additionally useful you have remained in right site to start

geographieunterricht 4 0 chancen und risiken digi pdf - Jun 02 2022

web 4 4 geographieunterricht 4 0 chancen und risiken digi 2022 04 01 mathematikdidaktische n grundlagen werden im dritten teil des buches konkrete unterrichtsvorschläge zum aufstellen von spar und tilgungsplänen zur berechnung der einkommensteuer und zur analyse von aktienkursen unterbreitet weichen stellen

geographieunterricht 4 0 chancen und risiken digi uniport edu - May 01 2022

web may 1 2023 geographieunterricht 4 0 chancen und risiken digi 2 13 downloaded from uniport edu ng on may 1 2023 by guest europe this publication presents the findings of the evaluate experimentation and its implications for the education of future teachers the study found that engaging student teachers in structured online intercultural collaboration as

pdf geographieunterricht 4 0 chancen und risiken digi - Jan 09 2023

web geographieunterricht 4 0 chancen und risiken digi chancen und risiken der digitalisierung aus sicht des arbeitgebers und arbeitnehmers aug 11 2021 studienarbeit aus dem jahr 2022 im fachbereich bwl sonstiges note 1 3 fom hochschule für oekonomie management gemeinnützige gmbh frankfurt früher

geographieunterricht 4 0 chancen und risiken digitaler medien - Dec 08 2022

web geowissenschaften geographie grin katalog industrie 4 0 chancen und herausforderungen der vierten chancen und

risiken der digitalen zukunft industrie 4 0 chancen risiken und herausforderung für die prozessautomation arbeit 4 0
bedeutung auswirkungen herausforderungen digitalisierung chancen und risiken in der medizin home office in
geographieunterricht 4 0 chancen und risiken digitaler medien - Mar 11 2023
web jun 10 2023 *geographieunterricht 4 0 chancen und risiken digitaler medien für die arbeit im geographieunterricht by
martin schaller below die fortschreitende digitalisierung und vernetzung prägt zunehmend*
geographieunterricht 4 0 chancen und risiken digitaler medien - Jun 14 2023
web industrie 4 0 eine einordnung erdkunde schulbücher de geographieunterricht 4 0 chancen und risiken digitaler
arbeitsschutz 4 0 arbeit gesundheit soziales märz 2015 geschäftsmodell innovation durch industrie 4 digitale transformation
chancen und risiken springerlink home office in zeiten von corona chancen und risiken a gefahren der
geographieunterricht 4 0 chancen und risiken digi copy - Jul 03 2022
web geographieunterricht 4 0 chancen und risiken digitaler medien für die arbeit im geographieunterricht weichen stellen
chancen eröffnen zur grundlegung des gegenstandsbereiches der politischen geographie
geographieunterricht 4 0 chancen und risiken digitaler medien - Aug 16 2023
web jun 27 2023 *geographieunterricht 4 0 chancen und risiken digitaler medien für die arbeit im geographieunterricht by
martin schaller 92e708 geographieunterricht 4 0 chancen und risiken controlling 4 0 chancen und risiken der digitalen
onboarding die chancen digitaler möglichkeiten zukunft digitale transformation chancen und risiken*
geografie 4 klasse grundschule klassenarbeiten de - Aug 04 2022
web sep 3 2023 407 klassenarbeiten und Übungsglättter zu geografie 4 klasse kostenlos als pdf datei
4 sınıf sosyal bilgiler coğrafi Özellikler egitimhane com - Sep 05 2022
web 4 sınıf sosyal bilgiler coğrafi Özellikler dosyası 4 sınıf İnsanlar yerler ve Çevreler bölümünde bulunmaktadır tarih 03
ocak 2011 boyut 0 009 mb İndirme 9 713 teşekkür 92 rapor et dosyayı İndir teşekkür et dosyayı İndir teşekkür et rapor et
benzer dosyalar 4 sınıf sosyal bilgiler coğrafi
geographieunterricht 4 0 chancen und risiken digi pdf - Feb 27 2022
web 4 4 geographieunterricht 4 0 chancen und risiken digi 2020 04 11 lernprozess welche möglichkeiten und grenzen sind
mit einer digitalisierung verbunden und welche konsequenzen ergeben sich daraus für pädagogische interventionen diese
fragen werden im vorliegenden buch diskutiert und am beispiel von schule und unterricht konkretisiert
geographieunterricht 4 0 chancen und risiken digitaler medien - Jul 15 2023
web geographieunterricht 4 0 chancen und risiken digitaler chancen und risiken der digitalisierung digitale welt und
gesundheit ehealth und mhealth onboarding die chancen digitaler möglichkeiten zukunft lernen 4 0 erfolgreich in die zukunft
geographieunterricht 4 0 chancen und risiken digitaler medien - May 13 2023

web geographieunterricht 4 0 chancen und risiken digitaler medien für die arbeit im geographieunterricht schaller martin
isbn 9783956874673 kostenloser versand für alle bücher mit versand und verkauf durch amazon

geographieunterricht 4 0 chancen und risiken digitaler medien - Dec 28 2021

web may 30 2023 geographieunterricht 4 0 chancen und risiken digitaler medien für die arbeit im geographieunterricht by martin schaller it chancen und risiken der digitalisierung it daily net

grin geographieunterricht 4 0 chancen und risiken digitaler - Apr 12 2023

web dies zeigt dass die auseinandersetzung mit der rolle und wirkung digitaler medien für unterricht lernen und lernprozesse einen wesentlichen stellenwert für die lehrerarbeit haben sollte das führt zur motivation die chancen und risiken digitaler medien für die arbeit im geographieunterricht zu untersuchen

geographieunterricht 4 0 chancen und risiken digi copy - Jan 29 2022

web geographieunterricht 4 0 chancen und risiken digi ungestört bei der sache zur grundlegung des gegenstandsbereiches der politischen geographie grammatiklernen und lehren im universitären daf unterricht taiwans beiträge zur geographie des bildungs und qualifikationswesens

matha c matiques industriels corrige c s 2002 pdf - Apr 19 2022

web 2 matha c matiques industriels corrige c s 2002 2019 09 13 symplectic geometry is a central topic of current research in mathematics indeed symplectic methods are key ingredients in the study of dynamical systems differential equations

algebraic geometry topology mathematical physics and representations of lie groups this book is a true

mathématiques industriels corrigés 2002 by alain redding - Jun 21 2022

web mathématiques industriels corrigés 2002 by alain redding francis taillade mathématiques industriels corrigés 2002 by alain redding francis taillade openknowledge worldbank td corrig popular pdfs in algeria on 29 04 2010 cours pdf april 3rd

2020 b e c partners s a revendeur produits autocad et votre qi sur des

matha c matiques industriels corrige c s 2002 2023 - Jun 02 2023

web matha c matiques industriels corrige c s 2002 downloaded from ai classmonitor com by guest brooklyn mora jamie s food tube the cake book springer science business media gaston bachelard is one of the indispensable figures in the history of 20th century ideas the broad

annales concours cnc maroc sujets corrigés gratuits groupe - Aug 24 2022

web elle offre aux étudiants la possibilité de réviser à n importe quel moment de la journée retrouvez toutes les annales du concours cnc maroc sujets et corrections des annales du concours d entrée aux grandes écoles d ingénieurs marocaine

mathématiques bts filières industrielles fomesoutra com - Jan 29 2023

web télécharger pdf sujet corrigé transformée de fourier maths bts industriel 507 téléchargements populaires télécharger

pdf sujet corrigé maths bts session 2008 1181 téléchargements populaires télécharger

matha c matiques sa c rie stt corriga c s cyberlab sutd edu sg - May 01 2023

web c book news inc the sanitary engineer mar 01 2023 the city record jul 13 2021 annual statement of the trade and commerce of chicago jan 19 2022 transcript of the enrollment books aug 26 2022 recognizing the artifice ways to get this book matha c matiques sa c rie stt corriga c s is additionally useful you have remained in right site

matha c matiques industriels corriga cs 2002 unijales - Sep 05 2023

web matha c matiques industriels corriga cs 2002 unijales td corrig popular pdfs in france on 18 01 2011 examen exercices de mathÃ matiques appliquÃ es Ã l Ã conomie fourastiÃ tle es l sp cialit es s physique chimie exercices corriges abc bac matha matiques bac stt sti stl articles de recherche rap

matha c matiques sa c rie stt corriga c s full pdf - Feb 15 2022

web index catalogue of the library of the surgeon general s office united states army jul 05 2022 collection of incunabula and early medical prints in the library of the surgeon general s office u s army ser 3 v 10 p 1415 1436 official gazette of the united states patent and trademark office dec 10 2022 cludel studies jan 19 2021

read free matha c matiques industriels corriga c s 2002 - Nov 26 2022

web matha c matiques industriels corriga c s 2002 government gazette dec 21 2022 nasa s university program mar 24 2023 ai ethics in higher education insights from africa and beyond apr 25 2023 this open access book tackles the pressing problem of integrating concerns related to artificial

matha c matiques industriels corriga c s 2002 pdf checkin - Oct 06 2023

web matha c matiques industriels corriga c s 2002 downloaded from checkin thecontemporaryaustin org by guest ellison johanna bloggers penguin uk elliptic partial differential equations by qing han and fanghua lin is one of the best textbooks i know it is the perfect introduction to pde in 150 pages or so it covers an

matha c matiques 4e 700 exercices 120 corriga c s - Dec 28 2022

web matha c matiques 4e 700 exercices 120 corriga c s a mineral based origin of earth s initial hydrogen peroxide and pnas org mar 22 2023 a mineral based origin of earth s initial hydrogen peroxide and pnas org saldapress i fumetti in uscita a ottobre 2023 fumettologica oct 17 2022

matha c matiques tertiaires corriga c s 2002 theodor h - Sep 24 2022

web perspicacity of this matha c matiques tertiaires corriga c s 2002 can be taken as skillfully as picked to act empowering women mary hallward driemeier 2012 10 04 this book provides compelling evidence from 42 sub saharan african countries that gender gaps in legal capacity and property rights need to be addressed in terms of substance

matha c matiques industriels corriga c s 2002 2023 - Mar 31 2023

web best area within net connections if you wish to download and install the matha c matiques industriels corrige c s 2002 it is unconditionally simple then since currently we extend the partner to buy and create bargains to download and install matha c matiques industriels corrige c s 2002 so simple nonstandard analysis r lutz 1981 10

matha c matiques sa c rie colla ge corrige c s - Feb 27 2023

web matha c matiques sa c rie colla ge corrige c s integrable systems jul 10 2022 this workshop is part of a series of annual workshops organised by the nankai institute of mathematics prominent scientists from abroad are invited to deliver the main lectures contents speeches on the relation between mathematics and physics l d

matha c matiques industriels corrige c s 2002 2022 - Mar 19 2022

web this matha c matiques industriels corrige c s 2002 as one of the most in action sellers here will no question be in the course of the best options to review matha c matiques industriels corrige c s 2002 downloaded from registration

jonianfriends org by guest

matha c matiques industriels corrige c s 2002 copy - Aug 04 2023

web matha c matiques industriels corrige c s 2002 downloaded from renewalcc com by guest christine mata macedonia thrace and illyria american mathematical soc hyperbolic manifolds and discrete groups is at the crossroads of *matha c matiques industriels corrige c s 2002 pdf pdf* - Jul 03 2023

web mar 26 2023 matha c matiques industriels corrige c s 2002 pdf is available in our digital library an online access to it is set as public so you can get it instantly our books collection hosts in multiple countries allowing you to get the most less latency time to download any of our books like this one

mathématiques industriels corrigés 2002 by alain redding - Oct 26 2022

web mathématiques industriels corrigés 2002 by alain redding francis taillade terminologie franaise en conomiegestion c td corrig popular pdfs in algeria on 29 04 2010 cours pdf les exercices corrige s matha matiques stae stpa iyez ga j pelleg mechanical properties of ceramics springer 2014 master

mathématiques industriels corrigés 2002 by alain redding - Jul 23 2022

web april 21st 2020 etude des systa uml mes techniques industriels tle sti a lectrotechnique programmation et structures de donna es avanca es en langage c cours et exercices corrige s ra cits de linde illustra s superman der mann aus stahl matha matiques da clic 1re s livre de la la uml ve edition 2015

matha c matiques tertiaires corrige c s 2002 pdf - May 21 2022

web devices to read matha c matiques tertiaires corrige c s 2002 pdf web we present matha c matiques tertiaires corrige c s 2002 pdf and numerous book collections from fictions to scientific research in any way in the midst of them is this matha c matha c matiques industriels corrige c s 2002 2022

handbuch printwerbung planung kreation und wirkung von - Jul 13 2023

web handbuch printwerbung planung kreation und wirkung von anzeigen kalka jochen isbn 9783636031631 kostenloser versand für alle bücher mit versand und verkauf

handbuch printwerbung planung kreation und wirkung von - Apr 29 2022

web handbuch printwerbung ebook jetzt bei weltbild.de als 10 goldene regeln für die kreation von online werbung handbuch printwerbung m.v.g.de printwerbung 10 beispiele

handbuch printwerbung planung kreation und wirkun copy - Aug 02 2022

web handbuch printwerbung planung kreation und wirkun recognizing the pretentiousness ways to get this book handbuch printwerbung planung kreation und wirkun is

handbuch printwerbung planung kreation und wirkung von - Jun 12 2023

web printanzeigen handbuch printwerbung planung kreation und wirkung von a4 handbuch fast nach vorlage bb gm v2 gpm ipma.de handbuch printwerbung jochen kalka 2009

handbuch printwerbung planung kreation und wirkun pdf - Mar 29 2022

web handbuch printwerbung planung kreation und wirkun 3 3 knowledge level of ict standardization related topics among lecturers and students in higher education in

handbuch printwerbung planung kreation und wirkun analytics - Feb 25 2022

web handbuch printwerbung planung kreation und wirkun right here we have countless ebook handbuch printwerbung planung kreation und wirkun and collections to

handbuch printwerbung planung kreation und wirkung von - Aug 14 2023

web nov 11 2013 planung zielgruppen werbeträger und agenturauswahl kreation text layout und sonderwerbformen wirkung messung des werbeerfolgs extra ein blick

werbekonzept inhalt und aufbau des werbeplans erstellen - Sep 03 2022

web die werbeplanung ist ein instrument zur umsetzung eines konkreten werbezieles eines unternehmens sie beinhaltet demnach die analyse planung durchführung und

handbuch printwerbung planung kreation und wirkun 2023 - Jan 27 2022

web pages of handbuch printwerbung planung kreation und wirkun a mesmerizing literary creation penned by a celebrated wordsmith readers embark on an enlightening

handbuch printwerbung planung kreation und wirkung von - Nov 05 2022

web handbuch printwerbung planung kreation und wirkung von anzeigen german edition ebook kalka jochen amazon in kindle ☐ ☐ ☐

handbuch printwerbung planung kreation und wirkung von - Apr 10 2023

web mit seinem buch handbuch printwerbung planung kreation und wirkung von anzeigen geht er der frage nach wie man anzeigen perfekt gestalten kann auch in

handbuch printwerbung planung kreation und wirkung von - Mar 09 2023

web handbuch printwerbung book read reviews from world s largest community for readers anzeigen perfekt gestaltenanzeigen sind ein zentrales instrument der

handbuch printwerbung planung kreation und wirkung von - May 11 2023

web handbuch printwerbung planung kreation und wirkung von anzeigen ebook written by jochen kalka read this book using google play books app on your pc android ios

handbuch printwerbung ebook pdf bücher de - Dec 06 2022

web der autor jochen kalka chefredakteur von werben verkaufen beschreibt und analysiert den gesamten prozess der anzeigenplanung und der anzeigengestaltung und gibt viele

printwerbung auch heute noch wirksam kmu admin ch - Oct 04 2022

web die klassischen marketingkanäle wie zeitung und plakatswerbung spielen aber auch weiterhin eine schlüsselrolle bei der bewerbung von kmu dienstleistungen eine eher

handbuch printwerbung planung kreation und wirkung von - Jan 07 2023

web planung zielgruppen werbeträger und agenturauswahl kreation text layout und sonderwerbformen wirkung messung des werbeerfolgs extra ein blick zurück in die

handbuch printwerbung planung kreation und wirkun - May 31 2022

web handbuch printwerbung planung kreation und wirkun right here we have countless ebook handbuch printwerbung planung kreation und wirkun and collections to

handbuch printwerbung planung kreation und wirkun 2023 - Feb 08 2023

web handbuch printwerbung planung kreation und wirkun werbeagenturen eine dienstleistungsbranche steht unter druck dec 01 2021 inhaltsangabe einleitung die

handbuch printwerbung planung kreation und wirkun pdf - Nov 24 2021

web handbuch printwerbung planung kreation und wirkun 3 16 downloaded from uniport edu ng on may 30 2023 by guest instrument der werbung doch was ist eine

handbuch printwerbung planung kreation und wirkun pdf - Oct 24 2021

web jun 12 2023 handbuch printwerbung planung kreation und wirkun 1 10 downloaded from uniport edu ng on june 12 2023 by guest handbuch printwerbung planung

handbuch printwerbung planung kreation und wirkung von - Jul 01 2022

web handbuch printwerbung planung kreation und wirkung von anzeigen by jochen kalka die richtige gestaltung und
produktion von radiospots may 27th 2020 mit diesen infos

handbuch printwerbung planung kreation und wirkung von - Dec 26 2021

web handbuch printwerbung planung kreation und wirkung von anzeigen isbn 9783864161520 kostenloser versand für alle
bücher mit versand und verkauf duch