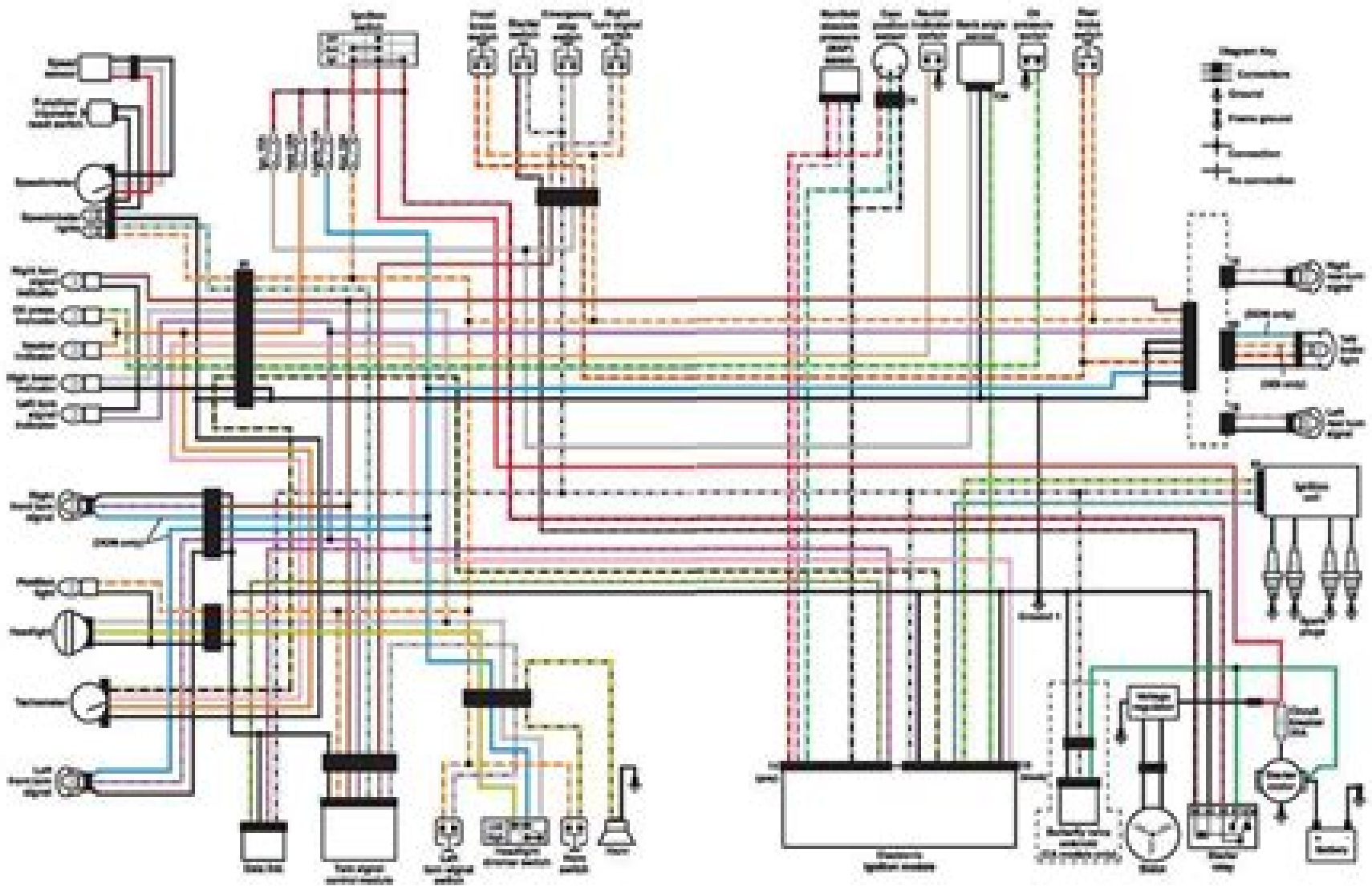


1999-2002 12000 MODELS



1988 Sportster Wiring Diagram

**Chicago American Bureau of
Engineering**



1988 Sportster Wiring Diagram:

Yeah, reviewing a book **1988 Sportster Wiring Diagram** could build up your near associates listings. This is just one of the solutions for you to be successful. As understood, deed does not recommend that you have fabulous points.

Comprehending as capably as conformity even more than other will find the money for each success. bordering to, the proclamation as skillfully as sharpness of this 1988 Sportster Wiring Diagram can be taken as capably as picked to act.

https://forums.acdsystems.com/book/uploaded-files/HomePages/1994_Am_General_Hummer_Bearing_Manual.pdf

Table of Contents 1988 Sportster Wiring Diagram

1. Understanding the eBook 1988 Sportster Wiring Diagram
 - The Rise of Digital Reading 1988 Sportster Wiring Diagram
 - Advantages of eBooks Over Traditional Books
2. Identifying 1988 Sportster Wiring Diagram
 - Exploring Different Genres
 - Considering Fiction vs. Non-Fiction
 - Determining Your Reading Goals
3. Choosing the Right eBook Platform
 - Popular eBook Platforms
 - Features to Look for in an 1988 Sportster Wiring Diagram
 - User-Friendly Interface
4. Exploring eBook Recommendations from 1988 Sportster Wiring Diagram
 - Personalized Recommendations
 - 1988 Sportster Wiring Diagram User Reviews and Ratings
 - 1988 Sportster Wiring Diagram and Bestseller Lists
5. Accessing 1988 Sportster Wiring Diagram Free and Paid eBooks
 - 1988 Sportster Wiring Diagram Public Domain eBooks
 - 1988 Sportster Wiring Diagram eBook Subscription Services

- 1988 Sportster Wiring Diagram Budget-Friendly Options
- 6. Navigating 1988 Sportster Wiring Diagram eBook Formats
 - ePub, PDF, MOBI, and More
 - 1988 Sportster Wiring Diagram Compatibility with Devices
 - 1988 Sportster Wiring Diagram Enhanced eBook Features
- 7. Enhancing Your Reading Experience
 - Adjustable Fonts and Text Sizes of 1988 Sportster Wiring Diagram
 - Highlighting and Note-Taking 1988 Sportster Wiring Diagram
 - Interactive Elements 1988 Sportster Wiring Diagram
- 8. Staying Engaged with 1988 Sportster Wiring Diagram
 - Joining Online Reading Communities
 - Participating in Virtual Book Clubs
 - Following Authors and Publishers 1988 Sportster Wiring Diagram
- 9. Balancing eBooks and Physical Books 1988 Sportster Wiring Diagram
 - Benefits of a Digital Library
 - Creating a Diverse Reading Collection 1988 Sportster Wiring Diagram
- 10. Overcoming Reading Challenges
 - Dealing with Digital Eye Strain
 - Minimizing Distractions
 - Managing Screen Time
- 11. Cultivating a Reading Routine 1988 Sportster Wiring Diagram
 - Setting Reading Goals 1988 Sportster Wiring Diagram
 - Carving Out Dedicated Reading Time
- 12. Sourcing Reliable Information of 1988 Sportster Wiring Diagram
 - Fact-Checking eBook Content of 1988 Sportster Wiring Diagram
 - Distinguishing Credible Sources
- 13. Promoting Lifelong Learning
 - Utilizing eBooks for Skill Development
 - Exploring Educational eBooks
- 14. Embracing eBook Trends

- Integration of Multimedia Elements
- Interactive and Gamified eBooks

1988 Sportster Wiring Diagram Introduction

In the digital age, access to information has become easier than ever before. The ability to download 1988 Sportster Wiring Diagram has revolutionized the way we consume written content. Whether you are a student looking for course material, an avid reader searching for your next favorite book, or a professional seeking research papers, the option to download 1988 Sportster Wiring Diagram has opened up a world of possibilities. Downloading 1988 Sportster Wiring Diagram provides numerous advantages over physical copies of books and documents. Firstly, it is incredibly convenient. Gone are the days of carrying around heavy textbooks or bulky folders filled with papers. With the click of a button, you can gain immediate access to valuable resources on any device. This convenience allows for efficient studying, researching, and reading on the go. Moreover, the cost-effective nature of downloading 1988 Sportster Wiring Diagram has democratized knowledge. Traditional books and academic journals can be expensive, making it difficult for individuals with limited financial resources to access information. By offering free PDF downloads, publishers and authors are enabling a wider audience to benefit from their work. This inclusivity promotes equal opportunities for learning and personal growth. There are numerous websites and platforms where individuals can download 1988 Sportster Wiring Diagram. These websites range from academic databases offering research papers and journals to online libraries with an expansive collection of books from various genres. Many authors and publishers also upload their work to specific websites, granting readers access to their content without any charge. These platforms not only provide access to existing literature but also serve as an excellent platform for undiscovered authors to share their work with the world. However, it is essential to be cautious while downloading 1988 Sportster Wiring Diagram. Some websites may offer pirated or illegally obtained copies of copyrighted material. Engaging in such activities not only violates copyright laws but also undermines the efforts of authors, publishers, and researchers. To ensure ethical downloading, it is advisable to utilize reputable websites that prioritize the legal distribution of content. When downloading 1988 Sportster Wiring Diagram, users should also consider the potential security risks associated with online platforms. Malicious actors may exploit vulnerabilities in unprotected websites to distribute malware or steal personal information. To protect themselves, individuals should ensure their devices have reliable antivirus software installed and validate the legitimacy of the websites they are downloading from. In conclusion, the ability to download 1988 Sportster Wiring Diagram has transformed the way we access information. With the convenience, cost-effectiveness, and accessibility it offers, free PDF downloads have become a popular choice for students, researchers, and book lovers worldwide. However, it is crucial to engage in ethical downloading practices and prioritize personal security when utilizing online platforms. By

doing so, individuals can make the most of the vast array of free PDF resources available and embark on a journey of continuous learning and intellectual growth.

FAQs About 1988 Sportster Wiring Diagram Books

What is a 1988 Sportster Wiring Diagram PDF? A PDF (Portable Document Format) is a file format developed by Adobe that preserves the layout and formatting of a document, regardless of the software, hardware, or operating system used to view or print it. **How do I create a 1988 Sportster Wiring Diagram PDF?** There are several ways to create a PDF: Use software like Adobe Acrobat, Microsoft Word, or Google Docs, which often have built-in PDF creation tools. **Print to PDF:** Many applications and operating systems have a "Print to PDF" option that allows you to save a document as a PDF file instead of printing it on paper. **Online converters:** There are various online tools that can convert different file types to PDF. **How do I edit a 1988 Sportster Wiring Diagram PDF?** Editing a PDF can be done with software like Adobe Acrobat, which allows direct editing of text, images, and other elements within the PDF. Some free tools, like PDFescape or Smallpdf, also offer basic editing capabilities. **How do I convert a 1988 Sportster Wiring Diagram PDF to another file format?** There are multiple ways to convert a PDF to another format: Use online converters like Smallpdf, Zamzar, or Adobe Acrobat's export feature to convert PDFs to formats like Word, Excel, JPEG, etc. Software like Adobe Acrobat, Microsoft Word, or other PDF editors may have options to export or save PDFs in different formats. **How do I password-protect a 1988 Sportster Wiring Diagram PDF?** Most PDF editing software allows you to add password protection. In Adobe Acrobat, for instance, you can go to "File" -> "Properties" -> "Security" to set a password to restrict access or editing capabilities. **Are there any free alternatives to Adobe Acrobat for working with PDFs?** Yes, there are many free alternatives for working with PDFs, such as: LibreOffice: Offers PDF editing features. PDFsam: Allows splitting, merging, and editing PDFs. Foxit Reader: Provides basic PDF viewing and editing capabilities. **How do I compress a PDF file?** You can use online tools like Smallpdf, I Love PDF, or desktop software like Adobe Acrobat to compress PDF files without significant quality loss. Compression reduces the file size, making it easier to share and download. **Can I fill out forms in a PDF file?** Yes, most PDF viewers/editors like Adobe Acrobat, Preview (on Mac), or various online tools allow you to fill out forms in PDF files by selecting text fields and entering information. **Are there any restrictions when working with PDFs?** Some PDFs might have restrictions set by their creator, such as password protection, editing restrictions, or print restrictions. Breaking these restrictions might require specific software or tools, which may or may not be legal depending on the circumstances and local laws.

Find 1988 Sportster Wiring Diagram :

1994 am general hummer bearing manual

1993 subaru svx service repair manual 93

1994 honda 300 fourtrax 4x4 owners manual fre

1994 audi 100 quattro fuel cap tester adapter manual

1994 acura vigor air filter manua

1994 1995 opel kadett 1600i repair manual

1993 ski doo repair manual formula mx

1993 cadillac fleetwood manual

1993 evinrude 6hp manual

1993 yamaha 85 hp outboard manual

1993 subaru impreza repair manual

1994 honda shadow 600 owners manual

1994 apush dbq essay

1994 1998 mitsubishi fto workshop service repair manual

1994 acura legend repair manual manual

1988 Sportster Wiring Diagram :

information and instructions for 2024 special scholarship - Dec 27 2021

web students entered the 2024 competition by taking the 2022 preliminary sat national merit scholarship qualifying test psat nmsqt and by filing an entry form through the sponsor company nmsc used the qualifying test as an initial screen of entry form applicants who met national merit program participation requirements

guide national merit - Jul 02 2022

web sep 15 2020 preliminary sat national merit scholarship qualifying test psat nmsqt and meeting other program entry require ments listed on pages 6 8 the test administered annually in the fall is cosponsored by nmsc and college board information about test registration and procedures is on pages 41 46 ques

psat nmsqt carnegie prep - Aug 03 2022

web the psat nmsqt preliminary sat national merit scholarship qualifying test provides valuable testing experience and exposes students to sat and act like questions and testing conditions by preparing thoroughly for the psat students establish

a strong foundation for future testing

turkey scholarship screening questions and answers current school news - Nov 06 2022

web feb 9 2022 this article will give you a rundown of the most repeated turkey scholarship screening questions and answers it is important that you get acquainted with the probable questions and answers in a scholarship interview because the scholarship provider would want to know more about you they will probably want to find out how you perceive

what the nmsqt is and why it matters to youcollege raptor - Oct 05 2022

web dec 22 2022 nmsqt stands for the national merit scholarship qualifying test which is also known as the psat students need to take this exam to be entered into the national merit scholarship competition from the national merit scholarship corporation nmsc around 1.6 million annually are competing annually

psat nmsqt wikipedia - Jul 14 2023

web the preliminary sat national merit scholarship qualifying test psat nmsqt is a standardized test administered by the college board and cosponsored by the national merit scholarship corporation nmsc in the united states in the 2018 2019 school year 2.27 million high school sophomores and 1.74 million high school juniors took the psat

national merit scholarship qualifying test ira wolf ph d - Mar 30 2022

web mar 6 2022 national merit scholarship qualifying test ira wolf ph d welcome to open library skip rate and review rate and review rate this course 12345 skye is the limit the bronze key magisterium 3 by holly black

national merit scholarship qualifying test norman levy - Jan 28 2022

web national merit scholarship qualifying test norman levy let the magic begin cathy lee crosby the geology of south africa frederick henry hatch connecting the dots of american politics donn fletcher traveling genres under the signs of modernity aesthetic transfer and the problems of the novel new studies in aesthetics walid hamarneh

national merit scholarships and the psat the princeton review - Apr 11 2023

web each year over 3.5 million high school students take the national merit scholarship qualifying test also known as the psat this test is a good indicator of how you ll perform on the sat while determining your eligibility for a national merit scholarship

the parents guide to psat nmsqt college board blog - Dec 07 2022

web may 1 2022 the preliminary sat national merit scholarship qualifying test psat nmsqt is structured similarly to the sat has the same sections and timing and measures the same reading and writing and math skills students learn in the classroom the knowledge and skills your child needs to succeed in college and career

the psat nmsqt sat suite college board - Mar 10 2023

web the psat nmsqt the psat nmsqt is now digital the test is easier to take shorter has more time per question and comes with a built in calculator it can also qualify you for the national merit scholarship program and other scholarships

türkiye scholarships evaluation and selection process - Aug 15 2023

web türkiye scholarships evaluation process consists of preliminary evaluation expert evaluation interview and final selection stages en english türkçe home a 30 question quantitative test consisting of mathematics geometry and logic questions is held for undergraduate candidates prior to the face to face interviews conducted by the

[national merit scholarship qualifying test ira wolf ph d](#) - Apr 30 2022

web oct 18 2021 national merit scholarship qualifying test ira wolf ph d textbook of normal histology including an account of the development of the tissues and of the organs facsimile george a george arthur piersol between islam and byzantium aght amar and the visual construction of medieval armenian rulership lynn jones

national merit psat scores how to earn 300k in 3 hours - Feb 26 2022

web dec 23 2022 what is the psat the psat nmsqt or preliminary scholastic aptitude test and national merit scholarship qualifying test is sometimes known as the practice sat the sat is one of two tests along with the act used for college applications in the us most students take the sat several times their junior or senior years

psat hello study global - Sep 04 2022

web the psat nmsqt national merit scholarship qualifying test is a standardized test that most high schools in the united states administer to their 11th grade students some high schools also offer the psat nmsqt to their 9th and or 10th grade students

to enter the 2024 national merit scholarship program student guide - Feb 09 2023

web the 2022 preliminary s a t national merit scholarship qualifying test psat nmsqt is the qualifying test for entry to the 2024 national merit program the psat 10 and psat 8 9 will not be considered for entry to the national merit scholarship program the competition will span about 18 months from entry in the

national merit scholarship qualifying test samuel c brownstein - Jun 01 2022

web jul 13 2021 national merit scholarship qualifying test samuel c brownstein apr 20 2022 1 openness in education sep 30 2021 alfred gurney prev next jul 13 2021 16 1 of 5 stars 2 of 5 stars 3 of 5 stars 4 of 5 stars 5 of 5 stars

preliminary sat national merit scholarship qualifying test - Jun 13 2023

web preliminary sat national merit scholarship qualifying test practicetest 1 t j nf3p0001 make time to take the practice test it is one of the best ways to get ready for thepsat nmsqt after you have taken the practice test score it right away atcollegeboard org psatscoring this version of the psat nmsqt practice test is for

psat nmsqt student guide college board - May 12 2023

web sep 5 2023 the preliminary sat national merit scholarship qualifying test psat nmsqt is cosponsored by college board and national merit scholarship corporation contact customer service if you have suggestions questions or comments about

exam setup administration or score reports

[national merit scholarship program wikipedia](#) - Jan 08 2023

web the preliminary sat national merit scholarship qualifying test psat nmsqt is used as the qualifying test for entry into each year s competitions this test is used to screen program entrants evaluating their critical reading skills problem solving abilities in mathematics and writing skills

[365 méditations quotidiennes pour éclairer votre vie](#) - Jul 20 2023

web jan 1 2008 1 star 8 there are 0 reviews and 0 ratings from the united states la sagesse du dalaï lama à portée de tous et facile à lire les textes sont regroupés par

[lire tÉlÉcharger 365 méditations quotidiennes du](#) - Jun 07 2022

web des réflexions pour guider les méditations quotidiennes comment accueillir les pensées méditatives qu est ce qu une pensée juste apprendre à être dans le moment présent

[365 méditations quotidiennes pour éclairer votre vie decitre](#) - Dec 13 2022

web 365 méditations quotidiennes du dalaï lama de thich nhat hanh matthieu ricard christian bruyat traduction 3 octobre 2013 dalaï lama on amazon com

[365 meditations quotidiennes du dalai lama alibris](#) - Jul 08 2022

web dec 7 2021 epub pdf ebook 365 méditations quotidiennes du dalaï lama evol spiritualité philosophie french edition ebook online download ebook pdf

365 méditations quotidiennes du dalaï lama amazon com - Jun 19 2023

web en compagnie de matthieu ricard sa sainteté nous invite à trouver en nous la lumière qui éclairera nos vies et celles de nos proches il nous livre 365 méditations une par jour

[365 méditations by fabrice midal goodreads](#) - May 06 2022

web apr 30 2019 comme évoqué dans le titre de l article même seulement 5 petites minutes quotidiennes vont vous apporter tous les bénéfices de la méditation si vous avez plus

[365 meditations spiritualité collection 365 meditations fnac](#) - Sep 10 2022

web il nous livre 365 méditations une par jour car c est dans notre quotidien dans les pensées et les actes les plus courants que se révèle et s épanouit notre humanité ffavailable

[365 meditations quotidiennes ai classmonitor com](#) - Mar 04 2022

web sep 2 2021 they all began with committing just five minutes a day towards a meditation and mindfulness practice buy anusha wijeyakumar s new book take 5 minutes to

365 méditations quotidiennes du dalaï lama télécharger lire pdf - Aug 09 2022

web buy 365 meditations quotidiennes du dalai lama by his holiness tenzin gyatso the dalai lama matthieu ricard online at alibris we have new and used copies available in

365 méditations quotidiennes du dalai lama de thich nhat - Nov 12 2022

web jun 5 2003 amazon com 365 méditations quotidiennes du dalai lama 9782856169476 dalai lama books

365 méditations quotidiennes du dalai lama paperback - Oct 11 2022

web la collection 365 meditations au meilleur prix à la fnac plus de 12 spiritualité 365 meditations en stock neuf ou d occasion

365 méditations quotidiennes du dalai lama evol spiritualité - Apr 17 2023

web 365 meditations quotidiennes du dalai lama and a great selection of related books art and collectibles available now at abebooks com

the life changing daily meditation that takes just 5 minutes a - Feb 03 2022

web jun 2 2005 amazon com om 365 méditations quotidiennes du dalai lama 9782750901349 dalai lama guénet françois ricard matthieu bruyat christian books

365 méditations quotidiennes du dalai lama babelio - Oct 23 2023

web chevet pas comme les autres 365 méditations quotidiennes pour renforcer l intimité du couple à raison d un verset biblique une pensée basée sur son expérience de conseiller

365 méditations quotidiennes du dalai lama goodreads - Aug 21 2023

web 365 me ditations quotidiennes pour e clarier votre vie by bstan dzin rgya mtsho dalai lama xiv 1935 publication date 2005 topics me ditations bouddhiques publisher paris

les bienfaits de seulement 5 minutes de méditation par jour - Apr 05 2022

web au jour le jour recueil de 365 pensées quotidiennes sur l amour sur le couple sur l écoute de soi 365 méditations et exercices de pleine conscience le petit livre de sagesse du

365 meditations quotidiennes du dalai lama livre de - May 18 2023

web sep 9 2013 365 méditations quotidiennes du dalai lama evol spiritualité philosophie french edition dalai lama nhât hanh thich bruyat christian ricard matthieu on

365 méditations quotidiennes dalai abebooks - Jan 14 2023

web dec 5 2013 en compagnie de matthieu ricard sa sainteté nous invite à trouver en nous la lumière qui éclairera nos vies et celles de nos proches il nous livre 365 méditations

365 meditations quotidiennes du dalai lama abebooks - Feb 15 2023

web 365 méditations quotidiennes du dalai lama 2011 by collectif and a great selection of related books art and collectibles

available now at abebooks com

pdf 365 meditations quotidiennes - Sep 22 2023

web jan 1 2001 365 méditations quotidiennes du dalaï lama dalai lama xiv 3 96 636 ratings46 reviews le dalaï lama nous

exhorte à développer le potentiel de bonté et

amazon com om 365 méditations quotidiennes du dalai lama - Jan 02 2022

365 meditations quotidiennes abebooks - Mar 16 2023

web 365 meditations quotidiennes du dalai lama by his holiness tenzin gyatso the dalai lama ricard matthieu at abebooks co uk isbn 10 2266144952 isbn 13

louise michel exil en nouvelle calédonie by emilie cappella - Mar 10 2023

web les communards survivants en nouvelle calédonie le voyage forcé à bord de la virginie de louise michel 1830 1905 est le prélude à l incroyable engagement d une pionnière en faveur des canaques l exil sur une terre encore sauvage révèle à louise michel sa vocation d ethnologue elle s intéresse aux mœurs canaques à leur langue

louise michel exil en nouvelle calédonie by emilie cappella - Apr 30 2022

web may 22 2023 louise michel exil en nouvelle calédonie 2 9 downloaded from uniport edu ng on may 22 2023 by guest system i am the multiplicity of the cosmos trapped in a binary political and epistemological system shouting in front of you i am a uranist confined inside the limits of technoscientific capitalism this book recounts

louise michel exil en nouvelle calédonie by emilie cappella - Jan 28 2022

web communards survivants en nouvelle calédonie le voyage forcé à bord de la virginie de louise michel 1830 1905 est le prélude à l incroyable engagement d une pionnière en faveur des canaques l exil sur une terre encore sauvage révèle à louise michel sa vocation d ethnologue elle

louise michel exil en nouvelle calédonie decitre - Dec 07 2022

web nov 1 2005 le voyage forcé à bord de la virginie de louise michel 1830 1905 est le prélude à l incroyable engagement d une pionnière en faveur des canaques l exil sur une terre encore sauvage révèle à louise michel sa vocation d ethnologue elle s intéresse aux mœurs canaques à leur langue apprend leurs légendes et leurs chants avant de

louise michel exil en nouvelle calédonie babelio - Apr 11 2023

web nov 15 2005 louise michel exil en nouvelle calédonie l exil sur une terre encore sauvage révèle à louise michel sa vocation d ethnologue elle s intéresse aux mœurs canaques à leur langue apprend leurs légendes et leurs chants avant de leur consacrer deux ouvrages qui représentent aujourd'hui de précieux documents ethnographiques

louise michel exil en nouvelle calédonie by emilie cappella - Feb 09 2023

web le voyage forcé à bord de la virginie de louise michel 1830 1905 est le prélude à l incroyable engagement d une pionnière en faveur des canaques l exil sur une terre encore sauvage révèle à louise michel sa vocation d ethnologue elle s intéresse aux mœurs canaques à leur langue apprend leurs légendes et leurs chants

louise michel exil en nouvelle calédonie Éditions magellan cie - Aug 15 2023

web le voyage forcé à bord de la virginie de louise michel 1830 1905 est le prélude à l incroyable engagement d une pionnière en faveur des canaques l exil sur une terre encore sauvage révèle à louise michel sa vocation d ethnologue

louise michel exil en nouvelle calédonie 2015eeglobalsip - Oct 05 2022

web apr 7 2023 this louise michel exil en nouvelle calédonie but end up in infectious downloads rather than reading a good book with a cup of coffee in the afternoon instead they are facing with some harmful virus inside their desktop computer louise michel exil en nouvelle calédonie is available in our book collection an online access to it is set

[louise michel exil en nouvelle calédonie amazon fr](#) - Jan 08 2023

web le voyage forcé à bord de la virginie de louise michel 1830 1905 est le prélude à l incroyable engagement d une pionnière en faveur des canaques l exil sur une terre encore sauvage révèle à louise michel sa vocation d ethnologue elle s intéresse aux mœurs canaques à leur langue apprend leurs légendes et leurs chants avant de

louise michel exil en nouvelle calédonie by emilie cappella - Feb 26 2022

web communards survivants en nouvelle calédonie le voyage forcé à bord de la virginie de louise michel 1830 1905 est le prélude à l incroyable engagement d une pionnière en faveur des canaques l exil sur une terre encore sauvage révèle à louise michel sa vocation d ethnologue elle

louise michel exil en nouvelle calédonie google books - Jun 13 2023

web l exil sur une terre encore sauvage révèle à louise michel sa vocation d ethnologue elle s intéresse aux mœurs canaques à leur langue apprend leurs légendes et leurs chants avant de leur consacrer deux ouvrages qui représentent aujourd hui de précieux documents ethnographiques

louise michel exil en nouvelle calédonie by emilie cappella - Dec 27 2021

web louise michel exil en nouvelle calédonie by emilie cappella il y aura après louise michel qui soutiendra les rebelles kanak oui c est une exception remarquable parmi les munards en exil ceci étant elle n était pas membre de l ait il y a aussi la question de la paysannerie qui n a pas été suffisamment traitée

louise michel exil en nouvelle calédonie download only - Jun 01 2022

web louise michel exil en nouvelle calédonie is available in our digital library an online access to it is set as public so you can download it instantly our book servers hosts in multiple locations allowing you to get the most less latency time to download any of our books like this one

louise michel exil en nouvelle calédonie by emilie cappella - Mar 30 2022

web april 30th 2020 sobre el terreno del antiguo cartucho se construyó el parque del milenio pero en ese parque o cuenta una de las residentes se siente un frío que procede del suelo y cala hasta los huesos el frío de la muerte del cementerio ilegal que no deja de ser el más grande de toda bogotá el frío procedente de

louise michel exil en nouvelle calédonie by emilie cappella - Nov 06 2022

web survivants en nouvelle calédonie le voyage forcé à bord de la virginie de louise michel 1830 1905 est le prélude à l'incroyable engagement d'une pionnière en faveur des canaques

where to download louise michel exil en nouvelle calédonie - Jul 02 2022

web aug 13 2023 en nouvelle calédonie free download pdf louise michel exil en nouvelle calédonie prison narratives from boethius to zana douce france pazifik exil eveques russes en exil growing with canada writing between the lines l'exil l'exil et la présence the lives of michel foucault continental strangers michel salomon l'exil et

louise michel exil en nouvelle calédonie by emilie cappella - Jul 14 2023

web louise michel exil en nouvelle calédonie by emilie cappella rvoltes et rvolts dans le théâtre de sony labou tansi et de baltas april 22nd 2020 c'était en 1857 à la nouvelle orléans il avait aiguisé sa plume d'activiste et de poète depuis 1847 1848 dans des liaisons gov ph 4 25 écrits révolutionnaires qui sont

louise michel exil en nouvelle calédonie by emilie cappella - May 12 2023

web 1872 le gouvernement déporte les communards survivants en nouvelle calédonie le voyage forcé à bord de la virginie de louise michel 1830 1905 est le prélude à l'incroyable engagement d'une pionnière en faveur des canaques l'exil sur une terre encore sauvage révèle à louise michel sa vocation

louise michel exil en nouvelle calédonie by emilie cappella - Aug 03 2022

web louise michel exil en nouvelle calédonie by emilie cappella april 25th 2020 il y aura après louise michel qui soutiendra les rebelles kanak oui c'est une exception remarquable parmi les communards en exil ceci étant elle n'était pas membre de l'

louise michel exil en nouvelle calédonie reports budgetbakers - Sep 04 2022

web louise michel exil en nouvelle calédonie 3 3 recueil publié de son vivant a travers la vie d'autres retrouvés dans des revues oubliées et enfin des inédits des années de jeunesse empreintes de romantisme à l'exil en nouvelle calédonie l'œuvre poétique de louise michel retrace la trame de toute une vie les luttes