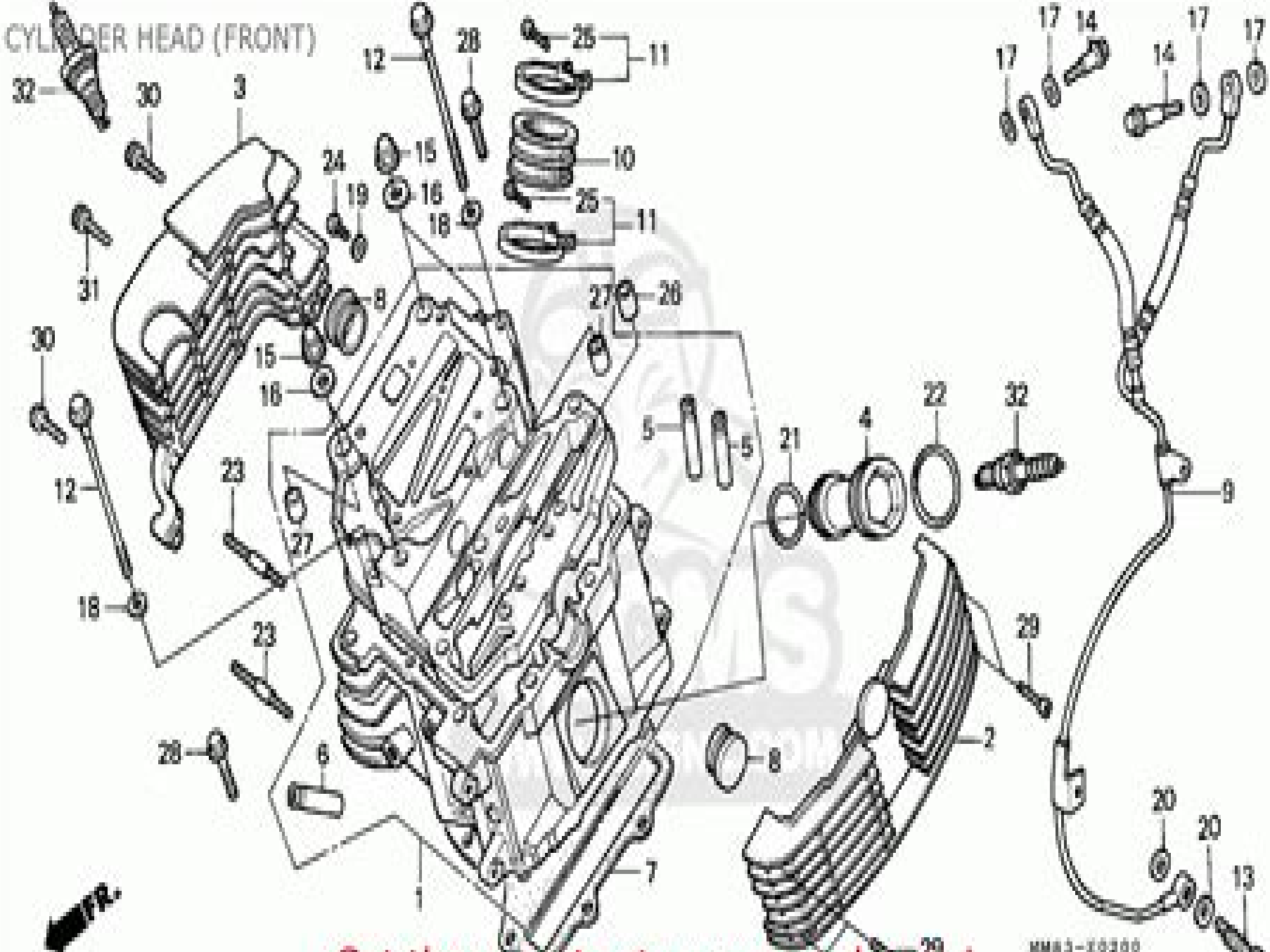


CYLINDER HEAD (FRONT)



Get these parts at [www.cmsnl.com](http://www.cmsnl.com) !

MM83-20200

# 1988 Honda Vt1100c Parts

**N Noddings**



## **1988 Honda Vt1100c Parts:**

*WALNECK'S CLASSIC CYCLE TRADER, AUGUST 1992* Causey Enterprises, LLC, *AdrenalineMoto | Street Motorcycle PU Catalog 2014* Parts-Unlimited Motorcycle Parts & Gear, LeMans Corporation - All Rights Reserved, 2014-01-01  
AdrenalineMoto is an authorized dealer of Parts Unlimited and claims no ownership or rights to this catalog The Parts Unlimited 2014 Street catalog is more than just a book It is designed to help you and your customers get the most out of your passion for powersports It showcases the new exciting in demand products as well as highlighting trusted favorites The well organized catalog sections make it easy to find the items you want And every part is supported with the latest fitment information and technical updates available Looking for tires See the Drag Specialties Parts Unlimited Tire catalog It has tires tire accessories and tire wheel service tools from all the top brands And for riding gear or casual wear see the Drag Specialties Parts Unlimited Helmet Apparel catalog Combine all three catalogs for the most complete powersports resource of 2014 WALNECK'S CLASSIC CYCLE TRADER, JANUARY 1992 Causey Enterprises, LLC, *WALNECK'S CLASSIC CYCLE TRADER, MAY 1992* Causey Enterprises, LLC, **WALNECK'S CLASSIC CYCLE TRADER, SEPTEMBER 1992** Causey Enterprises, LLC, WALNECK'S CLASSIC CYCLE TRADER, JUNE 1992 Causey Enterprises, LLC, WALNECK'S CLASSIC CYCLE TRADER, DECEMBER 1991 Causey Enterprises, LLC, **Cycle World Magazine** ,2001-01 **Japanese Custom Motorcycles** Uli Cloesen, 2013 Many books have been published about Japanese motorcycles but none has focused exclusively on the Japanese motorcycle based chopper bobber trike and quad custom bike scene until now Featuring stunning photography this is a great book for Japanese bike fans and fans of the custom bike scene in general **Cycle World Magazine** ,2001-01 **Cycle World** ,2001 Cycle World Magazine ,2001-01 **Readers' Guide to Periodical Literature** Anna Lorraine Guthrie, Bertha Tannehill, Neltje Marie Tannehill Shimer, 1988 An author subject index to selected general interest periodicals of reference value in libraries *Cycle World Magazine* ,1994-01 **Cycle World Magazine** ,2001-01 **Consumers Index to Product Evaluations and Information Sources** ,1985 Honda VT1100 Series 1995-2007 Penton Staff, 2000-05-24 VT1100C Shadow Spirit 1997 2007 VT1100C2 Shadow 1100 American Classic Edition 1995 1999 VT1100C2 Shadow Sabre 2000 2007 VT1100C3 Shadow Aero 1998 2002 VT1100T Shadow 1100 American Classic Edition Tourer 1998 2000

If you ally habit such a referred **1988 Honda Vt1100c Parts** books that will meet the expense of you worth, get the agreed best seller from us currently from several preferred authors. If you desire to entertaining books, lots of novels, tale, jokes, and more fictions collections are afterward launched, from best seller to one of the most current released.

You may not be perplexed to enjoy every ebook collections 1988 Honda Vt1100c Parts that we will completely offer. It is not roughly the costs. Its very nearly what you habit currently. This 1988 Honda Vt1100c Parts, as one of the most keen sellers here will totally be among the best options to review.

<https://forums.acdsystems.com/About/virtual-library/fetch.php/15%20Honda%20300%20Fw%20Manual.pdf>

## **Table of Contents 1988 Honda Vt1100c Parts**

1. Understanding the eBook 1988 Honda Vt1100c Parts
  - The Rise of Digital Reading 1988 Honda Vt1100c Parts
  - Advantages of eBooks Over Traditional Books
2. Identifying 1988 Honda Vt1100c Parts
  - Exploring Different Genres
  - Considering Fiction vs. Non-Fiction
  - Determining Your Reading Goals
3. Choosing the Right eBook Platform
  - Popular eBook Platforms
  - Features to Look for in an 1988 Honda Vt1100c Parts
  - User-Friendly Interface
4. Exploring eBook Recommendations from 1988 Honda Vt1100c Parts
  - Personalized Recommendations
  - 1988 Honda Vt1100c Parts User Reviews and Ratings
  - 1988 Honda Vt1100c Parts and Bestseller Lists
5. Accessing 1988 Honda Vt1100c Parts Free and Paid eBooks

- 1988 Honda Vt1100c Parts Public Domain eBooks
  - 1988 Honda Vt1100c Parts eBook Subscription Services
  - 1988 Honda Vt1100c Parts Budget-Friendly Options
6. Navigating 1988 Honda Vt1100c Parts eBook Formats
    - ePub, PDF, MOBI, and More
    - 1988 Honda Vt1100c Parts Compatibility with Devices
    - 1988 Honda Vt1100c Parts Enhanced eBook Features
  7. Enhancing Your Reading Experience
    - Adjustable Fonts and Text Sizes of 1988 Honda Vt1100c Parts
    - Highlighting and Note-Taking 1988 Honda Vt1100c Parts
    - Interactive Elements 1988 Honda Vt1100c Parts
  8. Staying Engaged with 1988 Honda Vt1100c Parts
    - Joining Online Reading Communities
    - Participating in Virtual Book Clubs
    - Following Authors and Publishers 1988 Honda Vt1100c Parts
  9. Balancing eBooks and Physical Books 1988 Honda Vt1100c Parts
    - Benefits of a Digital Library
    - Creating a Diverse Reading Collection 1988 Honda Vt1100c Parts
  10. Overcoming Reading Challenges
    - Dealing with Digital Eye Strain
    - Minimizing Distractions
    - Managing Screen Time
  11. Cultivating a Reading Routine 1988 Honda Vt1100c Parts
    - Setting Reading Goals 1988 Honda Vt1100c Parts
    - Carving Out Dedicated Reading Time
  12. Sourcing Reliable Information of 1988 Honda Vt1100c Parts
    - Fact-Checking eBook Content of 1988 Honda Vt1100c Parts
    - Distinguishing Credible Sources
  13. Promoting Lifelong Learning
    - Utilizing eBooks for Skill Development

- 
- Exploring Educational eBooks

#### 14. Embracing eBook Trends

- Integration of Multimedia Elements
- Interactive and Gamified eBooks

### **1988 Honda Vt1100c Parts Introduction**

Free PDF Books and Manuals for Download: Unlocking Knowledge at Your Fingertips In today's fast-paced digital age, obtaining valuable knowledge has become easier than ever. Thanks to the internet, a vast array of books and manuals are now available for free download in PDF format. Whether you are a student, professional, or simply an avid reader, this treasure trove of downloadable resources offers a wealth of information, conveniently accessible anytime, anywhere. The advent of online libraries and platforms dedicated to sharing knowledge has revolutionized the way we consume information. No longer confined to physical libraries or bookstores, readers can now access an extensive collection of digital books and manuals with just a few clicks. These resources, available in PDF, Microsoft Word, and PowerPoint formats, cater to a wide range of interests, including literature, technology, science, history, and much more. One notable platform where you can explore and download free 1988 Honda Vt1100c Parts PDF books and manuals is the internet's largest free library. Hosted online, this catalog compiles a vast assortment of documents, making it a veritable goldmine of knowledge. With its easy-to-use website interface and customizable PDF generator, this platform offers a user-friendly experience, allowing individuals to effortlessly navigate and access the information they seek. The availability of free PDF books and manuals on this platform demonstrates its commitment to democratizing education and empowering individuals with the tools needed to succeed in their chosen fields. It allows anyone, regardless of their background or financial limitations, to expand their horizons and gain insights from experts in various disciplines. One of the most significant advantages of downloading PDF books and manuals lies in their portability. Unlike physical copies, digital books can be stored and carried on a single device, such as a tablet or smartphone, saving valuable space and weight. This convenience makes it possible for readers to have their entire library at their fingertips, whether they are commuting, traveling, or simply enjoying a lazy afternoon at home. Additionally, digital files are easily searchable, enabling readers to locate specific information within seconds. With a few keystrokes, users can search for keywords, topics, or phrases, making research and finding relevant information a breeze. This efficiency saves time and effort, streamlining the learning process and allowing individuals to focus on extracting the information they need. Furthermore, the availability of free PDF books and manuals fosters a culture of continuous learning. By removing financial barriers, more people can access educational resources and pursue lifelong learning, contributing to personal growth and professional development. This democratization of knowledge promotes intellectual curiosity and empowers

individuals to become lifelong learners, promoting progress and innovation in various fields. It is worth noting that while accessing free 1988 Honda Vt1100c Parts PDF books and manuals is convenient and cost-effective, it is vital to respect copyright laws and intellectual property rights. Platforms offering free downloads often operate within legal boundaries, ensuring that the materials they provide are either in the public domain or authorized for distribution. By adhering to copyright laws, users can enjoy the benefits of free access to knowledge while supporting the authors and publishers who make these resources available. In conclusion, the availability of 1988 Honda Vt1100c Parts free PDF books and manuals for download has revolutionized the way we access and consume knowledge. With just a few clicks, individuals can explore a vast collection of resources across different disciplines, all free of charge. This accessibility empowers individuals to become lifelong learners, contributing to personal growth, professional development, and the advancement of society as a whole. So why not unlock a world of knowledge today? Start exploring the vast sea of free PDF books and manuals waiting to be discovered right at your fingertips.

### **FAQs About 1988 Honda Vt1100c Parts Books**

How do I know which eBook platform is the best for me? Finding the best eBook platform depends on your reading preferences and device compatibility. Research different platforms, read user reviews, and explore their features before making a choice. Are free eBooks of good quality? Yes, many reputable platforms offer high-quality free eBooks, including classics and public domain works. However, make sure to verify the source to ensure the eBook credibility. Can I read eBooks without an eReader? Absolutely! Most eBook platforms offer webbased readers or mobile apps that allow you to read eBooks on your computer, tablet, or smartphone. How do I avoid digital eye strain while reading eBooks? To prevent digital eye strain, take regular breaks, adjust the font size and background color, and ensure proper lighting while reading eBooks. What the advantage of interactive eBooks? Interactive eBooks incorporate multimedia elements, quizzes, and activities, enhancing the reader engagement and providing a more immersive learning experience. 1988 Honda Vt1100c Parts is one of the best book in our library for free trial. We provide copy of 1988 Honda Vt1100c Parts in digital format, so the resources that you find are reliable. There are also many Ebooks of related with 1988 Honda Vt1100c Parts. Where to download 1988 Honda Vt1100c Parts online for free? Are you looking for 1988 Honda Vt1100c Parts PDF? This is definitely going to save you time and cash in something you should think about. If you trying to find then search around for online. Without a doubt there are numerous these available and many of them have the freedom. However without doubt you receive whatever you purchase. An alternate way to get ideas is always to check another 1988 Honda Vt1100c Parts. This method for see exactly what may be included and adopt these ideas to your book. This site will almost certainly help you save time and effort, money

and stress. If you are looking for free books then you really should consider finding to assist you try this. Several of 1988 Honda Vt1100c Parts are for sale to free while some are payable. If you arent sure if the books you would like to download works with for usage along with your computer, it is possible to download free trials. The free guides make it easy for someone to free access online library for download books to your device. You can get free download on free trial for lots of books categories. Our library is the biggest of these that have literally hundreds of thousands of different products categories represented. You will also see that there are specific sites catered to different product types or categories, brands or niches related with 1988 Honda Vt1100c Parts. So depending on what exactly you are searching, you will be able to choose e books to suit your own need. Need to access completely for Campbell Biology Seventh Edition book? Access Ebook without any digging. And by having access to our ebook online or by storing it on your computer, you have convenient answers with 1988 Honda Vt1100c Parts To get started finding 1988 Honda Vt1100c Parts, you are right to find our website which has a comprehensive collection of books online. Our library is the biggest of these that have literally hundreds of thousands of different products represented. You will also see that there are specific sites catered to different categories or niches related with 1988 Honda Vt1100c Parts So depending on what exactly you are searching, you will be able to choose ebook to suit your own need. Thank you for reading 1988 Honda Vt1100c Parts. Maybe you have knowledge that, people have search numerous times for their favorite readings like this 1988 Honda Vt1100c Parts, but end up in harmful downloads. Rather than reading a good book with a cup of coffee in the afternoon, instead they juggled with some harmful bugs inside their laptop. 1988 Honda Vt1100c Parts is available in our book collection an online access to it is set as public so you can download it instantly. Our digital library spans in multiple locations, allowing you to get the most less latency time to download any of our books like this one. Merely said, 1988 Honda Vt1100c Parts is universally compatible with any devices to read.

### **Find 1988 Honda Vt1100c Parts :**

**2015 honda 300 fw manual**

**2015 jkuat may intake**

2015 fxdb parts manual

*2015 edmentum algebrasolutions*

**2015 kawasaki prairie 400 4x4 service manual**

*2015 ford mustang shop manual*

~~2015 harley davidson flstei service manual~~

2015 honda shadow vt1100 manual



2015 international 4300 truck owners manual

**2015 ford windstar manual**

**2015 hyundai tiburon repair manual**

~~2015 harley sportster shop manual~~

~~2015 dodge ram service manual~~

**2015 harley davidson street bob service manual**

~~2015 ford edge owners manual~~

### **1988 Honda Vt1100c Parts :**

**cuisine pour toi moi plus de 500 recettes pour nous deux by** - Dec 23 2022

web cuisine pour toi et moi plus de 500 recettes pour nous deux by ginette mathiot and a great selection of related books art and collectibles available now at abebooks com

**cuisine pour toi et moi plus de 500 recettes pour nous deux** - Jul 30 2023

web noté 5 retrouvez cuisine pour toi et moi plus de 500 recettes pour nous deux et des millions de livres en stock sur amazon fr achetez neuf ou d occasion

cuisine pour toi et moi plus de 500 recettes pour nous deux - Jun 16 2022

web cuisine pour toi et moi plus de 500 recettes pour nous deux from same author all books of this bookseller 4 book s with the same title pdf editions du livre d or flammarion 1969 in 4 26 x 19 cm cartonnage toilé rouge de l éditeur 316 p petite auréole brune en haut du premier plat de couverture sinon très bon état

**cuisine pour toi et moi plus de 500 recettes pour nous deux** - Apr 26 2023

web une fiche technique pour chacunes des 500 recettes deuxième édition revue et corrigée par l auteur est devenu un grand classique de la cuisine française librairie généraliste spécialisée en livres de gastronomie nologie et tabagie installée à 450m du futur institut international de gastronomie de joël robuchon à montmorillon

**cuisine pour toi et moi plus de 500 recettes pour nous deux pratique** - Jun 28 2023

web jun 30 2008 cuisine pour toi et moi plus de 500 recettes pour nous deux pratique a mathiot ginette ginette on amazon com free shipping on qualifying offers cuisine pour toi et moi plus de 500 recettes pour nous deux pratique a

**cuisine pour toi et moi plus de 500 recettes pour nous deux** - Mar 26 2023

web abebooks com cuisine pour toi et moi plus de 500 recettes pour nous deux pratique a 9782082000642 and a great selection of similar new used and collectible books available now at great prices

**cuisine pour toi et moi plus de 500 recettes pour nous deux** - Nov 21 2022

---

web cuisine pour toi et moi plus de 500 recettes pour nous deux pas cher retrouvez tous les produits disponibles à l'achat sur notre site

cuisine pour toi et moi plus de 500 recettes pour nous deux de - Sep 19 2022

web cuisine pour toi et moi plus de 500 recettes pour nous deux de mathiot ginette achats de livres à petits prix livraison gratuite en france 1 million de livres en stock recyclivre rachète et collecte gratuitement vos livres dans toute la france

cuisine pour toi et moi plus de 500 recettes pour nous deux - Aug 31 2023

web cuisine pour toi et moi plus de 500 recettes pour nous deux ginette mathiot flammariion des milliers de livres avec la livraison chez vous en 1 jour ou en magasin avec 5 de réduction cuisine pour toi et moi plus de 500 recettes pour nous deux ginette mathiot achat livre fnac

**cuisine pour toi et moi plus de 500 recettes pour nous deux** - Oct 21 2022

web une fiche technique pour chacunes des 500 recettes deuxième édition revue et corrigée par l'auteur est devenu un grand classique de la cuisine française librairie généraliste spécialisée en livres de gastronomie nologie et tabagie installée à 450m du futur institut international de gastronomie de joël robuchon à montmorillon

**top 15 des plats pour 4 personnes à moins de 10 euros cuisine az** - Feb 10 2022

web 1 15 riz à la tomate facile cette recette est d'origine cambodgienne ce riz est traditionnellement servi en accompagnement avec du boeuf lok lak ou du boeuf aux oignons bon appétit voir la recette 2 15 gratin dauphinois de patates douces au lait de coco voir la recette 3 15

**recette pour 20 personnes marmiton** - May 16 2022

web mes aides à la cuisine table de conversion notre recette de crêpes pour 4 personnes facile et prête en deux temps trois mouvements 20 recettes pour un apéro de printemps à petit prix 20 recettes pour manger plus de légumes en hiver 20 recettes pour faire aimer le froid 20 recettes pour le soir en 20 min top chrono

*cuisine pour toi et moi plus de 500 recettes pour nous deux* - Feb 22 2023

web cuisine pour toi et moi plus de 500 recettes pour nous deux sur abebooks fr isbn 10 2082000648 isbn 13 9782082000642 couverture souple

**cuisine pour toi et moi plus de 500 recettes pour nous deux** - May 28 2023

web cuisine pour toi et moi plus de 500 recettes pour nous deux relié 1 janvier 1974 Édition en anglais de ginette mathiot auteur harold chapman auteur giovanni giannini auteur afficher tous les formats et éditions relié 47 97 2 d'occasion à partir de 42 00 broché 34 71 3 neuf à partir de 24 02

**15 plats copieux à moins de 5 euros par personne cuisine az** - Jan 12 2022

web par cuisineaz publié le 19 04 2016 à 16 00 mis à jour le 16 08 2022 le vrai défi des petits budgets combiner des plats

copieux qui rassasient tout le monde sans dépasser 5 euros par personne et sans faire de compromis sur le goût nous avons relevé le défi avec cette sélection de 15 recettes faciles rapides et économiques

*recettes turques le top des meilleures spécialités cuisine az* - Jul 18 2022

web recettes turques des mosquées d istanbul au vestige des gréco romains de la mer egée des paysages lunaires de cappadoce aux nécropoles immergées dans les eaux turquoises de la méditerranée en turquie tout est fait pour combler les amateurs de farniente d histoire et de nature

**cuisine pour toi et moi plus de 500 recettes pour toi et moi** - Aug 19 2022

web disponibilités communiquées à titre indicatif nous ne pouvons vous les garantir les prix de vente peuvent varier des prix en ligne et entre chaque magasin

*cuisine pour toi et moi plus de 500 recettes pour braincandy* - Apr 14 2022

web feb 27 2023 we offer cuisine pour toi et moi plus de 500 recettes pour and numerous books collections from fictions to scientific research in any way accompanied by them is this cuisine pour toi et moi plus de 500 recettes pour that can be your partner recettes de cuisine internationales essentielles en franais nam h nguyen 2018 02 10

**recette de moi pour toi blog de cuisine de lynday** - Mar 14 2022

web tu as maintenant ton espace personnel rien qu à toi pour y partager ta passion et y organiser et classer tes recettes on a hâte que tu blogues avec nous plus que 3 étapes avant d avoir le blog parfait commence par choisir un thème graphique configure les options de ton blog configure tes catégories si tu souhaites classer tes recettes

cuisine pour toi et moi plus de 500 recettes pour - Jan 24 2023

web noté 5 retrouvez cuisine pour toi et moi plus de 500 recettes pour nous deux et des millions de livres en stock sur amazon fr achetez neuf ou d occasion

**operation world the definitive prayer guide to every nation** - Jun 13 2023

web operation world the definitive prayer guide to every nation wec uk operation world the definitive prayer statistical guide to every nation in africa asia europe the americas australia and the pacific

operation world the definitive prayer guide to eve fulton j - Dec 27 2021

web world the definitive prayer guide to eve it is definitely simple then since currently we extend the link to purchase and create bargains to download and install operation world the definitive

operation world the definitive prayer guide to every nation - Apr 11 2023

web feb 21 2019 by helpingworldwide by jason mandryk publisher biblica this unique 978 page publication could be called a prayer diary and a world almanac for evangelical christians when we pray god works is its theme every country is carefully described in a way that emphasizes major challenges which christian believers in the many places

what we do operation world - Oct 05 2022

web operation world ow is widely regarded as the definitive volume of prayer information about the world and is the recipient of the ecpa gold medallion award for excellence in evangelical christian literature

**operation world the definitive prayer guide to eve** - Aug 03 2022

web operation world the definitive prayer guide to eve 1 operation world the definitive prayer guide to eve engaging contemporary issues and trends ministry to people on the move history trends and possibilities operation world the definitive prayer guide to eve downloaded from ftp bonide com by guest levy collins engaging

**welcome operation world** - Aug 15 2023

web sep 15 2023 the definitive prayer guide to every nation a house of prayer for all nations join people from every nation praying for people in every nation operation world equips believers to respond to god s call for his people to pray pray today september 08 2023 mozambique prayer in terms of development mozambique s needs remain

**operation world the definitive prayer guide to eve ftp popcake** - Mar 30 2022

web operation world the backstage chronicles exposing the plans and the strategies of satan the definitive prayer guide to the nations peoples and cities of the world

**operation world the definitive prayer guide to every nation** - Jan 08 2023

web oct 15 2010 operation world is the definitive global prayer handbook that will help focus your heart and life towards god s passion for his glory with over 1 million copies of past versions being sold this all new 7th edition has been completely updated and revised by jason mandryk and covers the entire populated world

operation world the definitive prayer guide to eve pdf pdf - Apr 30 2022

web operation world 2001 operation world jason mandryk 2010 10 15 the definitive guide to global prayer has now been completely updated and revised to cover the entire populated world whether you are an intercessor praying behind the scenes or a missionary abroad operation world gives you the information you need to play a vital role in

*operation world intervarsity press* - Nov 06 2022

web oct 15 2010 operation world the definitive global prayer handbook has been used by more than a million christians to pray for the nations now in its 7th edition it has been completely updated and revised by jason mandryk with a team of missionaries and researchers and it covers the entire populated world included in this updated and

**operation world the definitive prayer guide to every nation** - Sep 04 2022

web mar 1 2012 operation world the definitive prayer guide to every nation completely revised 7 th edition jason mandryk wec international and biblica publishing 978 pages 12 30 hardcover isbn 978 1 85078 861 4 paperback isbn 978 1 85078 861 1 the last edition of ow was published in 2001

**operation world the definitive prayer guide to every nation** - Mar 10 2023

web oct 15 2010 operation world the definitive prayer guide to every nation jason mandryk intervarsity press oct 15 2010 religion 978 pages operation world the definitive global prayer

**operation world the definitive prayer guide to every nation** - May 12 2023

web about this ebook operation world the definitive global prayer handbook has been used by more than a million christians to pray for the nations now in its 7th edition it has been

**operation world the definitive prayer guide to every nation goodreads** - Dec 07 2022

web jason mandryk 4 37 3 061 ratings54 reviews operation world the definitive global prayer handbook has been used by more than a million christians to pray for the nations now in its 7th edition it has been completely updated and revised by jason mandryk with a team of missionaries and researchers and it covers the entire populated world

**operation world the definitive prayer guide to every nation operation** - Feb 09 2023

web oct 15 2010 operation world the definitive prayer guide to every nation operation world resources kindle edition by mandryk jason download it once and read it on your kindle device pc phones or tablets use features like bookmarks note taking and highlighting while reading operation world the definitive prayer guide to every

[operation world the definitive prayer guide to eve pdf](#) - Jun 01 2022

web operation world a place of healing serving god in today s cities a biographical history of christian missions christianity in korea a handbook for world intercession the bloomsbury handbook to studying christians a practical plan for personal prayer the magic seven operation world the definitive prayer guide to eve downloaded from autoconfig

**operation world** - Jul 14 2023

web the definitive prayer guide to every nation in partnership with about ow the ethos of operation world prayer and world evangelization updates blog about wec international about intervarsity press frequently asked questions glossary abbreviations what people are saying prayer resources

**pdf operation world by jason mandryk ebook perlego** - Jul 02 2022

web operation world the definitive global prayer handbook has been used by more than a million christians to pray for the nations now in its 7th edition it has been completely updated and revised by jason mandryk with a team of missionaries and researchers and it covers the entire populated world included in this updated and revised 7th edition

**operation world the definitive prayer guide to eve pdf** - Feb 26 2022

web operation world the definitive prayer guide to eve 2 8 downloaded from uniport edu ng on july 19 2023 by guest political and geographical awareness this revised edition includes new entries for more countries and people groups with updated information and prayer points young people and adults alike can discover and pray for the peoples of

---

**operation world the definitive prayer guide to eve** - Jan 28 2022

web merely said the operation world the definitive prayer guide to eve is universally compatible with any devices to read operation world the definitive prayer guide to eve 2020 12 15 herrera bowers islamic state s lingering legacy in afghanistan operation world the definitive prayerhuckle 30 held his hands together in prayer

qsit audit new fda inspection approach for drug company - Oct 04 2022

web jun 5 2017 a great technique to follow is qsit or quality system inspection techniques why is this a good technique because fda will use a qsit style approach during your

*fda qsit preparing your medical device company for* - May 11 2023

web apr 10 2023 inspection references this page includes information provided to fda investigators and inspectors to assist them in their daily activities it also includes links to

**excel document checklist u s food and drug administration** - Dec 26 2021

**fda qsit set your medical device company for an inspection** - Nov 24 2021

*qsit audit new fda inspection approach for* - Nov 05 2022

web site fda inspection preparation checklist instructions use page one of this document to record information provided by the fda at the time of initial contact the

**quality systems fda u s food and drug** - Aug 14 2023

web guide to inspections of quality systems 4 foreword this document provides guidance to the fda field staff on a new inspectional process that may be used to assess a medical

**iso 13485 and fda qsr a step by step guide to complying** - Aug 02 2022

web jul 4 2022 contacts researchandmarkets com laura wood senior press manager press researchandmarkets com for e s t office hours call 1 917 300 0470 for

**qsit checklist pdf verification and validation scribd** - Sep 03 2022

web qsit quality system inspection technique is the name of the document that provides guidance to the fda field staff on the inspection process used to assess medical device

**fda inspections an fdanews** - Feb 25 2022

web are you ready for an fda qsit inspection with you re a device manufacturer this could happen at any time without notice here s what your should know

*how to use the fda s quality systems inspection technique* - Mar 29 2022

---

web jul 18 2023 receive einstieg to hundreds of free resources as well as subscription based online and certifications fda  
qsit quality system inspection technique serves save  
*site fda inspection preparation checklist* - Jul 01 2022

web worth of consumer goods who conducts inspections for fda part of the office of regulatory affairs more than 4 400 ora  
personnel in more than 200 locations work

**the value of studying and utilizing fda s qsit manual** - Jan 27 2022

web learn treasured career boosting skills for the medical device industry get access to hundreds of free sources as well as  
subscription based courses and registrations read

**fda medical device inspections u s food and drug** - Jun 12 2023

web feb 17 2019 the guide to inspections is the set of protocols used by fda to conduct an inspection qsr quality system  
regulations the primary regulatory requirement being

**how to prepare for an fda inspection plus 5 tips** - May 31 2022

web objective 1 the harmonization of quality system requirements with iso 9001 as a building block of all future work in  
harmonizing quality system requirements recognized around

*fda qsit preparing your medical device company for an* - Oct 24 2021

what to expect during an fda qsit inspection quality - Mar 09 2023

web jun 30 2022 quality systems electromagnetic compatibility aspects of medical device quality systems bioresearch  
monitoring inspections of in vitro diagnostics devices

**guide to inspections of quality systems u s food** - Jul 13 2023

web overview of qsit inspection keys for reducing 483 observations post inspection correspondence purpose of the inspection  
to assess compliance with cfr title 21

*quality system inspection technique imdrf* - Jan 07 2023

web the following table identifies the elements fda investigators will assess during their qsit inspection regulated medical  
device firms are encouraged to integrate this inspection

**fda qsit preparing your medical device company for an** - Sep 22 2021

**fda qsit mastercontrol** - Apr 29 2022

web excel document checklist excel 2010 document checklist id 1 0 general layout and formatting requirement pass fail 1 1  
are no merged cells contained in the data area of

inspection guides fda u s food and drug administration - Dec 06 2022

web jan 4 2016 and here is one more freebie for you i ve developed a qms audit checklist that combines requirements from fda 21 cfr part 820 and iso 13485 it s free all you

**inspection references fda u s food and drug administration** - Feb 08 2023

web scope this audit checklist is intended for use in simulating the new process being used by the united states food and drug administration fda for inspection of drug firms the

**fda qsit audit manual oriel stat a matrix** - Apr 10 2023

web what is qsit qsit is an optional fda inspection process quality system oriented top down versus bottom up pre inspection activities sampling focus on management qsit pilot