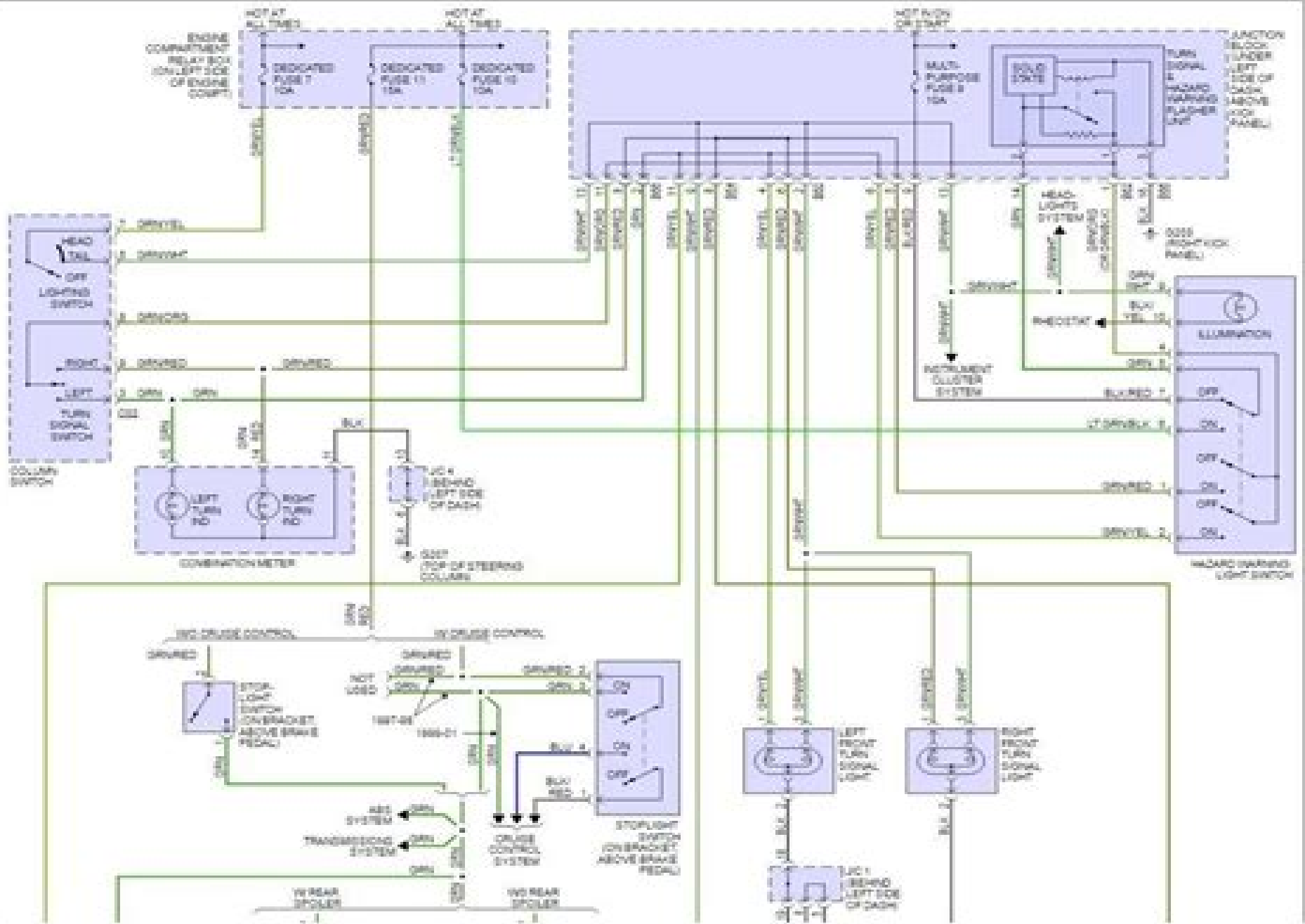


Fig 2: Exterior Lamps Circuit



1988 Electric Wiring Mitsubishi Mirage

Hongru Du



1988 Electric Wiring Mitsubishi Mirage:

Signal ,1988 *Supercharging, Turbocharging and Nitrous Oxide Performance* Earl Davis, Mitsubishi Cars and Trucks, 1983-89 Chilton Automotive Books,Chilton Automotive Editorial Staff,Chilton,1990-08 Covers all models of Cordia Galant Mirage Mighty Max Montero Pick Up Precis Sigma Starion and Tredia 2 and 4 wheel drive gasoline and diesel engines

Chilton's Import Car Manual Chilton Book Company,1987 **Motor Air Conditioner & Heater Manual** ,1988-01-01 *Cars Consumer Guide 1988* Consumer Guide,Consumer Guide Editors,1988 The experts at Consumer Guide help consumers get the facts they need with the guide that profiles and reviews over 100 cars and compact vans for the new model year Exclusive discount price lists and low prices help consumers negotiate with salesmen Gale's Auto Sourcebook ,1992 Guide to information on cars and light trucks **Gale's Auto Sourcebook 2** Karen Hill,1992-05 This book is designed to present in one convenient source comments published in periodicals about 325 automobile models manufactured since 1987 on a model by model basis These periodicals range from general interest to specialized sources as well as repair manuals and other publications related to the individual models **1989 Imported Cars, Light Trucks & Vans Service & Repair** Mitchell International,1990 **Consumers Index to Product Evaluations and Information Sources** ,1995 **Venture Japan** ,1989 **Predicasts F & S Index United States** Predicasts, inc,1989 A comprehensive index to company and industry information in business journals **The Autocar** ,1987 *Popular Photography* ,1995-06 **Jane's Defence Weekly** ,1988 **Hi Fi/stereo Review** ,1998 The Compu-mark Directory of U.S. Trademarks ,1986 Piano Technician's Journal ,1997 **Bibliographic Guide to Technology** New York Public Library. Research Libraries,1978 **Chilton's Guide to Air Conditioning Repair and Service** ,1990

Whispering the Secrets of Language: An Emotional Quest through **1988 Electric Wiring Mitsubishi Mirage**

In a digitally-driven earth where screens reign great and immediate transmission drowns out the subtleties of language, the profound techniques and mental subtleties concealed within words usually go unheard. Yet, situated within the pages of **1988 Electric Wiring Mitsubishi Mirage** a interesting literary treasure pulsating with organic thoughts, lies a fantastic quest waiting to be undertaken. Published by an experienced wordsmith, this wonderful opus encourages readers on an introspective trip, lightly unraveling the veiled truths and profound affect resonating within the fabric of each word. Within the psychological depths of this poignant review, we will embark upon a sincere exploration of the book is primary styles, dissect their fascinating publishing type, and succumb to the strong resonance it evokes serious within the recesses of readers hearts.

<https://forums.acdsystems.com/book/virtual-library/Documents/8%20practice%20geometric%20mean.pdf>

Table of Contents 1988 Electric Wiring Mitsubishi Mirage

1. Understanding the eBook 1988 Electric Wiring Mitsubishi Mirage
 - The Rise of Digital Reading 1988 Electric Wiring Mitsubishi Mirage
 - Advantages of eBooks Over Traditional Books
2. Identifying 1988 Electric Wiring Mitsubishi Mirage
 - Exploring Different Genres
 - Considering Fiction vs. Non-Fiction
 - Determining Your Reading Goals
3. Choosing the Right eBook Platform
 - Popular eBook Platforms
 - Features to Look for in an 1988 Electric Wiring Mitsubishi Mirage
 - User-Friendly Interface
4. Exploring eBook Recommendations from 1988 Electric Wiring Mitsubishi Mirage
 - Personalized Recommendations

- 1988 Electric Wiring Mitsubishi Mirage User Reviews and Ratings
- 1988 Electric Wiring Mitsubishi Mirage and Bestseller Lists
- 5. Accessing 1988 Electric Wiring Mitsubishi Mirage Free and Paid eBooks
 - 1988 Electric Wiring Mitsubishi Mirage Public Domain eBooks
 - 1988 Electric Wiring Mitsubishi Mirage eBook Subscription Services
 - 1988 Electric Wiring Mitsubishi Mirage Budget-Friendly Options
- 6. Navigating 1988 Electric Wiring Mitsubishi Mirage eBook Formats
 - ePub, PDF, MOBI, and More
 - 1988 Electric Wiring Mitsubishi Mirage Compatibility with Devices
 - 1988 Electric Wiring Mitsubishi Mirage Enhanced eBook Features
- 7. Enhancing Your Reading Experience
 - Adjustable Fonts and Text Sizes of 1988 Electric Wiring Mitsubishi Mirage
 - Highlighting and Note-Taking 1988 Electric Wiring Mitsubishi Mirage
 - Interactive Elements 1988 Electric Wiring Mitsubishi Mirage
- 8. Staying Engaged with 1988 Electric Wiring Mitsubishi Mirage
 - Joining Online Reading Communities
 - Participating in Virtual Book Clubs
 - Following Authors and Publishers 1988 Electric Wiring Mitsubishi Mirage
- 9. Balancing eBooks and Physical Books 1988 Electric Wiring Mitsubishi Mirage
 - Benefits of a Digital Library
 - Creating a Diverse Reading Collection 1988 Electric Wiring Mitsubishi Mirage
- 10. Overcoming Reading Challenges
 - Dealing with Digital Eye Strain
 - Minimizing Distractions
 - Managing Screen Time
- 11. Cultivating a Reading Routine 1988 Electric Wiring Mitsubishi Mirage
 - Setting Reading Goals 1988 Electric Wiring Mitsubishi Mirage
 - Carving Out Dedicated Reading Time
- 12. Sourcing Reliable Information of 1988 Electric Wiring Mitsubishi Mirage
 - Fact-Checking eBook Content of 1988 Electric Wiring Mitsubishi Mirage

- Distinguishing Credible Sources
- 13. Promoting Lifelong Learning
 - Utilizing eBooks for Skill Development
 - Exploring Educational eBooks
- 14. Embracing eBook Trends
 - Integration of Multimedia Elements
 - Interactive and Gamified eBooks

1988 Electric Wiring Mitsubishi Mirage Introduction

In the digital age, access to information has become easier than ever before. The ability to download 1988 Electric Wiring Mitsubishi Mirage has revolutionized the way we consume written content. Whether you are a student looking for course material, an avid reader searching for your next favorite book, or a professional seeking research papers, the option to download 1988 Electric Wiring Mitsubishi Mirage has opened up a world of possibilities. Downloading 1988 Electric Wiring Mitsubishi Mirage provides numerous advantages over physical copies of books and documents. Firstly, it is incredibly convenient. Gone are the days of carrying around heavy textbooks or bulky folders filled with papers. With the click of a button, you can gain immediate access to valuable resources on any device. This convenience allows for efficient studying, researching, and reading on the go. Moreover, the cost-effective nature of downloading 1988 Electric Wiring Mitsubishi Mirage has democratized knowledge. Traditional books and academic journals can be expensive, making it difficult for individuals with limited financial resources to access information. By offering free PDF downloads, publishers and authors are enabling a wider audience to benefit from their work. This inclusivity promotes equal opportunities for learning and personal growth. There are numerous websites and platforms where individuals can download 1988 Electric Wiring Mitsubishi Mirage. These websites range from academic databases offering research papers and journals to online libraries with an expansive collection of books from various genres. Many authors and publishers also upload their work to specific websites, granting readers access to their content without any charge. These platforms not only provide access to existing literature but also serve as an excellent platform for undiscovered authors to share their work with the world. However, it is essential to be cautious while downloading 1988 Electric Wiring Mitsubishi Mirage. Some websites may offer pirated or illegally obtained copies of copyrighted material. Engaging in such activities not only violates copyright laws but also undermines the efforts of authors, publishers, and researchers. To ensure ethical downloading, it is advisable to utilize reputable websites that prioritize the legal distribution of content. When downloading 1988 Electric Wiring Mitsubishi Mirage, users should also consider the potential security risks associated with online platforms. Malicious actors may exploit

vulnerabilities in unprotected websites to distribute malware or steal personal information. To protect themselves, individuals should ensure their devices have reliable antivirus software installed and validate the legitimacy of the websites they are downloading from. In conclusion, the ability to download 1988 Electric Wiring Mitsubishi Mirage has transformed the way we access information. With the convenience, cost-effectiveness, and accessibility it offers, free PDF downloads have become a popular choice for students, researchers, and book lovers worldwide. However, it is crucial to engage in ethical downloading practices and prioritize personal security when utilizing online platforms. By doing so, individuals can make the most of the vast array of free PDF resources available and embark on a journey of continuous learning and intellectual growth.

FAQs About 1988 Electric Wiring Mitsubishi Mirage Books

What is a 1988 Electric Wiring Mitsubishi Mirage PDF? A PDF (Portable Document Format) is a file format developed by Adobe that preserves the layout and formatting of a document, regardless of the software, hardware, or operating system used to view or print it. **How do I create a 1988 Electric Wiring Mitsubishi Mirage PDF?** There are several ways to create a PDF: Use software like Adobe Acrobat, Microsoft Word, or Google Docs, which often have built-in PDF creation tools. Print to PDF: Many applications and operating systems have a "Print to PDF" option that allows you to save a document as a PDF file instead of printing it on paper. Online converters: There are various online tools that can convert different file types to PDF. **How do I edit a 1988 Electric Wiring Mitsubishi Mirage PDF?** Editing a PDF can be done with software like Adobe Acrobat, which allows direct editing of text, images, and other elements within the PDF. Some free tools, like PDFescape or Smallpdf, also offer basic editing capabilities. **How do I convert a 1988 Electric Wiring Mitsubishi Mirage PDF to another file format?** There are multiple ways to convert a PDF to another format: Use online converters like Smallpdf, Zamzar, or Adobe Acrobats export feature to convert PDFs to formats like Word, Excel, JPEG, etc. Software like Adobe Acrobat, Microsoft Word, or other PDF editors may have options to export or save PDFs in different formats. **How do I password-protect a 1988 Electric Wiring Mitsubishi Mirage PDF?** Most PDF editing software allows you to add password protection. In Adobe Acrobat, for instance, you can go to "File" -> "Properties" -> "Security" to set a password to restrict access or editing capabilities. Are there any free alternatives to Adobe Acrobat for working with PDFs? Yes, there are many free alternatives for working with PDFs, such as: LibreOffice: Offers PDF editing features. PDFsam: Allows splitting, merging, and editing PDFs. Foxit Reader: Provides basic PDF viewing and editing capabilities. How do I compress a PDF file? You can use online tools like Smallpdf, ILovePDF, or desktop software like Adobe Acrobat to compress PDF files without significant quality loss. Compression reduces the file size, making it easier to share and download. Can I fill out forms in a

PDF file? Yes, most PDF viewers/editors like Adobe Acrobat, Preview (on Mac), or various online tools allow you to fill out forms in PDF files by selecting text fields and entering information. Are there any restrictions when working with PDFs? Some PDFs might have restrictions set by their creator, such as password protection, editing restrictions, or print restrictions. Breaking these restrictions might require specific software or tools, which may or may not be legal depending on the circumstances and local laws.

Find 1988 Electric Wiring Mitsubishi Mirage :

8 practice geometric mean

70 hp johnson evinrude service manual

8 2 solving exponential equations and inequalities workbook

760 manual volvo

8 1 practice multiplying and factoring

737 next generation training manual

72020 owner manual

8 5 practice angles of elevation and depression answers

76 ironhead service manual

7th grade civic eoc practice test

8 1 independent practice

72 corvette radio wiring

80 suzuki quadsport manual

7b end of unit test answers

7th grade unit plan for scholastic code

1988 Electric Wiring Mitsubishi Mirage :

bahçe ve tarla bitkileri bölümü ienstitu - Dec 12 2021

web oct 9 2022 kısa kısa atatürk arboretumu hakkında 296 hektarlık bir alan üzerinde oluşturulmuş olan atatürk arboretumu osmanlı döneminden kalan kirazlıbent ve 1916

trattato di botanica forestale vol 1 ecoalleco - Oct 22 2022

web 1 trattato di botanica forestale 1 abete bianco selvicoltura e restauro delle abetine oct 04 2021 l abete bianco abies alba

mill è una delle specie arboree più importanti per il

trattato di botanica forestale 1 parte generale e gimnosperme vol 1 - Sep 01 2023

web trattato di botanica forestale 1 parte generale e gimnosperme vol 1 grossoni grossoni amazon it libri

pdf trattato di botanica forestale 1 - Feb 11 2022

web trattato di botanica forestale 1 is available in our digital library an online access to it is set as public so you can get it instantly our digital library spans in multiple countries

i 10 migliori libri di scienze forestali notizie scientifiche it - Jul 19 2022

web trattato di botanica forestale 1 download gratis download trattato di botanica forestale 1 libro trattato di botanica forestale 1 pdf gratis italiano

trattato di botanica forestale 1 pqr uiaf gov co - Jan 13 2022

web oct 1 2020 tarla bitkileri kapsamında ise baklagiller tahıllar endüstriyel bitkiler ve yem bitkileri yer alıyor bahçelerde tarlalarda bağlarda seralarda karşılaşılan sorunlar

trattato di botanica forestale 1 for pdf free books - Mar 15 2022

web trattato di botanica forestale 1 annali dell istituto sperimentale per la selvicoltura feb 04 2022 bullettino provinciale delle leggi e degli atti ufficiale per la lombardia may 07

scarica trattato di botanica forestale 1 libro pdf paolo grossoni - Jun 17 2022

web apr 12 2018 trattato di botanica forestale vol 1 parte generale e gimnosperme filippo bussotti piero paolo grossoni romano gellini il regno vegetale cd rom

scarica trattato di botanica forestale 1 pdf paolo grossoni - May 17 2022

web nuovo dizionario universale e ragionato di agricoltura economia rurale forestale compilato sulle opere dei piu celebri autori italiani e stranieri da una societa di dotti e di

trattato di botanica forestale parte generale e gimnosperme - Jan 25 2023

web may 10 2018 trattato di botanica forestale parte generale e gimnosperme vol 1 grossoni paolo bruschi piero bussotti filippo selvi federico amazon com au books

trattato di botanica forestale 1 2023 solutions milnerbrowne - Apr 15 2022

web trattato di botanica forestale 1 find here trattato di botanica forestale 1 ebook for free download pdf read trattato di botanica forestale 1 book online now you also

pdf trattato di botanica forestale 1 - Sep 20 2022

web trattato di botanica forestale vol 1 parte generale e gimnosperme by unknown author and a great selection of related books art and collectibles available now at

trattato di botanica forestale 1 parte generale e gimnosperme - May 29 2023

web acquista online il libro trattato di botanica forestale 1 parte generale e gimnosperme di paolo grossoni piero bruschi filippo bussotti federico selvi in offerta a prezzi

trattato di botanica forestale 1 parte generale e gimnosperme - Oct 02 2023

web trattato di botanica forestale vol 1 parte generale e gimnosperme trattato di botanica forestale 1 parte generale e gimnosperme paolo grossoni piero bruschi

trattato di botanica forestale - Apr 27 2023

web 1 1 a trattato di botanica forestale 3 lo11766438 606 a piante forestali x botanica 2 fir 3 cfic281553 9 n 676 a 581 73 9 piante caratteristiche delle zone

botanica forestale vol gimnosperme abebooks - Aug 20 2022

web oct 17 2022 i tre migliori libri di scienze forestali su amazon sono botanica sistematica un approccio filogenetico trattato di botanica forestale 1 parte generale e

trattato di botanica forestale vol 1 libreria universitaria - Dec 24 2022

web descrizione quest opera è un testo universitario rivolto principalmente agli studenti dei corsi di laurea indirizzati alla gestione e alla progettazione del verde e alla comprensione del

İstanbul da sonbahar rotası önerisi atatürk arboretumu - Nov 10 2021

trattato di botanica forestale vol 1 parte generale e - Jun 29 2023

web trattato di botanica forestale vol 1 parte generale e gimnosperme è un libro di paolo grossoni piero bruschi filippo bussotti pubblicato da cedam acquista su

trattato di botanica forestale vol 1 parte generale e - Jul 31 2023

web trattato di botanica forestale vol 1 parte generale e gimnosperme è un libro di paolo grossoni piero bruschi filippo bussotti pubblicato da cedam acquista su ibs a

trattato di botanica forestale 1 parte generale e hoepli - Feb 23 2023

web trattato di botanica forestale 1 parte generale e gimnosperme è un libro di grossoni paolo bruschi piero bussotti filippo selvi federico edito da cedam a maggio 2018

trattato di botanica forestale 1 parte generale e gimnosperme - Mar 27 2023

web trattato di botanica forestale 1 parte generale e gimnosperme vol 1 di grossoni su abebooks it isbn 10 8813363230 isbn 13 9788813363239 cedam 2018 brossura

dep grossoni trattato botanica forestale 1 9788813363239 - Nov 22 2022

web trattato di botanica forestale vol 1 35 00 parte generale e gimnosperme la botanica forestale è la disciplina che studia le piante legnose nei loro aspetti morfologici

nt1330 unit 7 exercise 1 test reportandsupport gold ac - Mar 06 2022

web jul 5 2023 nt1330 unit 7 exercise 1 this nt1330 unit 7 exercise 1 as one of the bulk functioning sellers here will thoroughly be associated with by the best selections to review

free essay nt1310 unit 7 exercise 1 593 words studymode - May 08 2022

web unit 7 exercise 1 1 crosstalk a disturbance caused by electromagnetic interference along a circuit or a cable pair a telecommunication signal disrupts a signal in an adjacent circuit and can cause the signals to become confused and cross over each other 2

nt1330 unit 7 exercise 1 pdf uniport edu - Oct 13 2022

web jun 17 2023 nt1330 unit 7 exercise 1 1 9 downloaded from uniport edu ng on june 17 2023 by guest nt1330 unit 7 exercise 1 right here we have countless book nt1330 unit 7 exercise 1 and collections to check out we additionally provide variant types and after that type of the books to browse the welcome book fiction

nt1330 unit 1 assignment 481 words bartleby - Apr 07 2022

web nt1330 unit 1 assignment 977 words 4 pages nt1330 unit 1 assignment there once was a young computer named mac whose job was to gather process output and store data and information he was born in 2013 and contained 4 gigabytes also known as 4 billion bytes on his ram he used he lost both of his parents when they were

nt1330 unit 1 assignment 453 words bartleby - Feb 05 2022

web i started this unit 1 by learning guide unit overview introduction to the java programming that introduction to the operation of a computer introduction to java the java virtual machine and the java development and run time environments read the learning guide and reading assignments

nt1330 unit 1 exercise 1 294 words cram - Jun 09 2022

web nt1330 unit 7 exercise 1 a service in the cloud allows multiple users access to any given program or service from anywhere that has internet access and can do so without having to install any software or other programs 556 words 3 pages *nt1330 unit 7 exercise 1 489 words studymode* - Jun 21 2023

web nt1330 unit 7 exercise 1 good essays 489 words 2 pages open document analyze this draft open document analyze this draft nt1330 unit 7 exercise 1 view writing issues file edit tools settings filter results 489 words grammar plagiarism writing score file edit tools settings filter results

nt1330 unit 7 exercise 1 term paper termpaperwarehouse com - Jul 10 2022

web nt1330 unit 7 exercise 1 the master has to take care of the failure of the tablet server in case the tablet server loses its

exclusive lock it sends a request for the same to the master the master then tries to find out the reason for the loss of the lock it might have happened due to termination of the tablet server too

nt1330 unit 7 475 words bartleby - Dec 15 2022

web nt1330 unit 7 exercise 1 quantitative risk analysis involves steps calculations and tools to have a good analysis the steps involve with this method from wikibooks n d includes assigning value to assets estimating potential loss per threat performing a threat analysis and deriving the overall loss potential per threat

nt1330 unit 7 exercise 1 ad ou planning scenario - Jan 16 2023

web nt1330 unit 7 exercise 1 ad ou planning scenario review the following scenario as an it administrator you have been tasked with designing an active directory domain organizational unit structure for a new ad implementation at an existing organization

nt1330 unit 7 exercise 1 699 words bartleby - Mar 18 2023

web nt1330 unit 7 exercise 1 decent essays 699 words 3 pages open document quantitative risk analysis involves steps calculations and tools to have a good analysis

nt 1330 unit 1 exercise 1 term paper - Jan 04 2022

web unit 1 exercise 1 ip addressing scenario course objectives and learning outcomes in this exercise you will explain ip address components contrast classful and classless ip addressing and explain the function of dns and dhcp assignment requirements respond to the following scenario with design considerations and recommendations

nt1330 unit 7 exercise 1 full pdf - Nov 14 2022

web 1 nt1330 unit 7 exercise 1 cambridge english for schools nov 19 2021 biology laboratory set student manual mar 31 2020 student study guide lab manual for biology a search for order in complexity provides biology students with a wide variety of hands on experiments that will enhance their biology study this laboratory manual is designed

nt1330 unit 7 lab 1 753 words studymode - May 20 2023

web unit 1 exercise 1 ip addressing scenario there are many factors involved in this scenario for example the building may lend itself to certain network designs you may have multiple floors or a single floor multiple data closets or just

free essays on nt1330 unit 7 exercise 1 brainia com - Aug 11 2022

web check out our top free essays on nt1330 unit 7 exercise 1 to help you write your own essay

nt1330 unit 7 exercise 1 556 words cram - Apr 19 2023

web nt1330 unit 3 assignment 1 a virtual private network is used by organisations to help secure data on a network it s very hard to access these private networks meaning that the data becomes much more secure and it can be used across a large area of a network including many computers

nt1330 unit 7 exercise 1 756 words cram - Jul 22 2023

web nt1330 unit 7 exercise 1 ethernet is a combination of computer networking technologies most commonly used in local metropolitan and wide area networks 556 words

nt1330 unit 7 exercise 1 204 words internet public library - Aug 23 2023

web nt1330 unit 7 exercise 1 204 words 1 page server you see the jitter is equal to 9 213 ms to 12 341 ms in table 4 1 and the throughput is equal to 1000000 bits s fig 4 2

nt1330 unit 7 exercise 1 849 words bartleby - Feb 17 2023

web we can highlight some insight right away by just looking at table 1 a quick overview of the attributes path worths values screens 5 and 7 does not have a substantial preference although 10 screens size has doubled the odds ram 8 gb has a low preference and 16gb is more than double

nt1330 unit 7 exercise 1 help discoveram - Sep 12 2022

web nt1330 unit 7 exercise 1 nt1330 unit 7 exercise 1 nt1330 answers to scenarios pdf download unit 7 exercise 1 ad ou planning scenario will have quia class page nt1330 homework course assignments bos 4010 unit 4 quiz nt1330 week 3

exercise free short essay essays amp papers free download here

tools for meaningful learning and assessment ascd - Mar 12 2023

web sep 24 2021 what is grasps grasps is a model for demonstrating performance of understanding using authentic assessments it is one of many performance of

c0 mpleted grasp performance task grasp - Jan 30 2022

web example grasps performance task english 2 12 downloaded from uniport edu ng on may 6 2023 by guest international handbook of english language teaching jim cummins

revisiting grasps a model for project based learning - Jan 10 2023

web dec 7 2019 grasps is a model advocated for by grant wiggins and jay mctighe to guide teachers in designing authentic performance based assessment it s a form of

pdf using performance task grasps to assess - Feb 11 2023

web a performance task may actually involve a variety of situations performances and products i e it can be a complex task with related sub tasks writing the task in

grasps examples pdf slideshare - Jun 15 2023

web may 24 2016 performance task grasps examples 1 of 15 download now what s hot 20 table of specifications tos and test construction review rivera arnel 469 2k views

english sample performance task grasps lesson plan - Sep 18 2023

web recognition day script 2023 based methods of teaching studentsnel b v keizersgracht 424 1016 gc amsterdam kvk 56829787 btw nl852321363b01 for performance task grasps lesson plan performance task goal to write persuasive piece role activist on

english performance task grasps pdf communication - Jul 04 2022

web mar 17 2014 writing a g r a s p s to create a performance task scenario that is engaging meaningful and connected to what people do in the world outside of school

creating authentic assessment tasks using grasps university - Aug 17 2023

web example grasps tasks written by png and solomon teachers there has been an outbreak of cholera in your village as the village health worker your job is to stop the

grasps model performance task pdf writers essays scribd - May 02 2022

web grasp performance task goal to write a reaction paper about the proposed mandatory military service by vice presidential candidate mayor sara duterte and read

grasps performance tasks ppt - Feb 28 2022

web performance task in 21 st century literature you are the editor of a literary section of a newspaper you need to write a 500 word feature article on a filipino contemporary

grasp performance assessment ppt slideshare - Sep 06 2022

web grasps example of grasp for performance task subjects understanding culture society and student example of grasp for performance task

constructing a performance task scenario using grasps - Dec 29 2021

pdf using performance task grasps to assess - Dec 09 2022

web mar 28 2017 assessment task blueprint three types of performance criteria with sample indicators content process quality result describes the degree of knowledge

grasps framework by robin moore prezi - Apr 01 2022

web product performance and purpose nakikilala ang ibat ibang uri ng anyong lupa at anyong tubig standards and criteria for success performance task scenario in

grasps example of grasp for performance task subjects - Jun 03 2022

web 47 results for sort by relevance view list operation with decimals grasps performance task created by khaled merabi the students will apply decimal

use grasps for real world assessment tech - Apr 13 2023

web 1 implementing performance tasks and projects what and why 5 2 designing authentic performance tasks

grasps assessment design and student metacognition - Oct 07 2022

web english performance task grasps read online since free scribd is the world s largest social reading and publishing site
open navigation menu near suggestions

performance task grasps docx course hero - Aug 05 2022

web grasps model performance task target subject english grade 7 quarter 4 grade level standard the learner demonstrates communication competence through his her

grasps examples pdf rubric academic nutrition scribd - Nov 08 2022

web performance task the student will have a recital presentation in accordance to what is assigned to them per group the first group will have the informative speech the second

g r a s p s mathematics example jay mctighe - May 14 2023

web g r a s p s mathematics example goal the goal within the scenario is to minimize costs for shipping bulk quantities of m
ms role you are an engineer in the packaging

performance grasps lecture notes 1 performance task - Nov 27 2021

english performance task grasps pdf communication - Jul 16 2023

web performance task english 7 second quarter performance standards performance scenario your task is to help promote philippine g literature

example grasps performance task english pdf uniport edu - Oct 27 2021