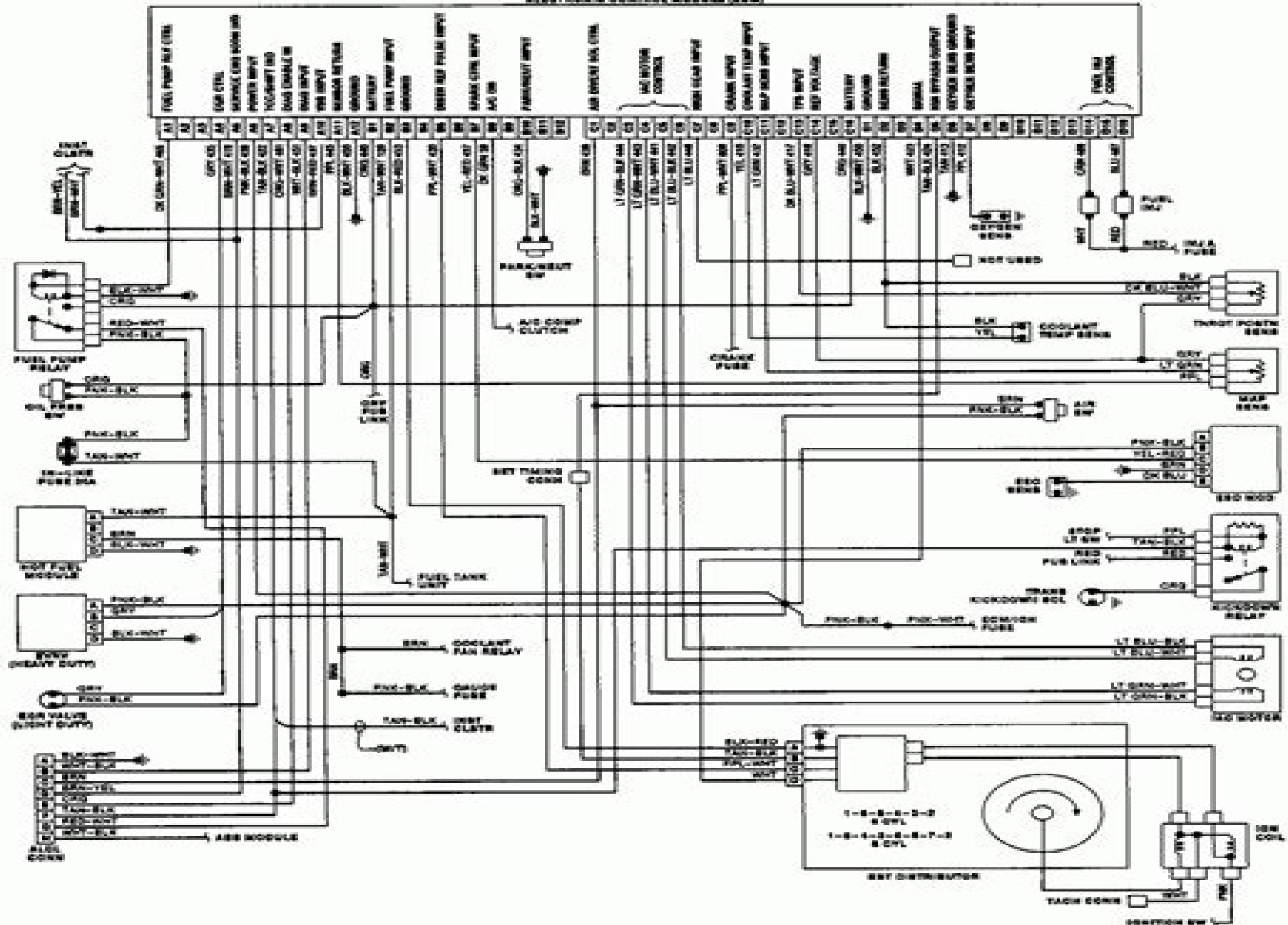


ELECTRONIC CONTROL MODULE (ECM)



1988 Chevy Truck Wiring Diagram

RM Cervero



1988 Chevy Truck Wiring Diagram:

1988 Chevrolet Light Duty C/K Truck Wiring Diagrams Chevrolet Motor Division, 2025-01-17 This 1988 Chevrolet GMC Light Duty C K Truck Wiring Diagrams is a high quality licensed PRINT reproduction of the service manual authored by Chevrolet Motor Division and published by Detroit Iron This OEM factory manual is 17 x 11 inches COMB bound shrink wrapped and contains 450 pages of comprehensive mechanical instructions with detailed diagrams photos and specifications for the mechanical components of your vehicle such as the engine transmission suspension brakes fuel exhaust steering electrical and drive line Service repair manuals were originally written by the automotive manufacturer to be used by their dealership mechanics The following 1988 Chevrolet GMC models are covered Blazer C1500 C2500 C3500 K1500 K2500 K3500 R10 Suburban R20 R20 Suburban R30 S10 Blazer S10 V10 Suburban V20 Suburban V30 Astro G10 G20 G30 P20 P30 R1500 Suburban R2500 R2500 Suburban R3500 V1500 Suburban V2500 Suburban V3500 Jimmy S15 Jimmy S15 G1500 G2500 G3500 P2500 P3500 Safari This factory written Detroit Iron shop manual is perfect for the restorer or anyone working on one of these vehicles **1988 Light Duty Truck Wiring Diagram Booklet** General Motors Corporation. Chevrolet Motor Division, 1988 *Chevrolet light duty truck wiring diagrams, 1988*, **Gale's Auto Sourcebook**, 1992 Guide to information on cars and light trucks *Paperbound Books in Print 1995* Reed Reference Publishing, Reference Reed, 1995-12

Subject Guide to Children's Books in Print 1997 Bowker Editorial Staff, R R Bowker Publishing, 1996-09 **Subject Guide to Books in Print**, 1997 *Paperbound Books in Print*, 1991 *Books in Print*, 1991 *Cars & Parts*, 1989

Popular Science, 1988-12 Popular Science gives our readers the information and tools to improve their technology and their world The core belief that Popular Science and our readers share The future is going to be better and science and technology are the driving forces that will help make it better **Popular Science**, 2002-12 Popular Science gives our readers the information and tools to improve their technology and their world The core belief that Popular Science and our readers share The future is going to be better and science and technology are the driving forces that will help make it better

Forthcoming Books Rose Army, 1994-04 *1988 Truck Wiring Diagrams* Ford Motor Company. Parts and Service Division. Training and Publications Department, 1987 **1988 Truck Wiring Diagrams**, 1987 *1988 Truck Wiring Diagrams*, 1987 *1988 Truck Wiring Diagrams*, 1987 1987 Medium Duty Truck Wiring Diagram Booklet, Chevrolet General Motors Corporation. Chevrolet Motor Division, 1987* 1988 Truck Wiring Diagrams, 1987

Uncover the mysteries within its enigmatic creation, Embark on a Mystery with **1988 Chevy Truck Wiring Diagram** . This downloadable ebook, shrouded in suspense, is available in a PDF format (PDF Size: *). Dive into a world of uncertainty and anticipation. Download now to unravel the secrets hidden within the pages.

https://forums.acdsystems.com/About/book-search/default.aspx/2005_2007_Polaris_Atv_Ranger_700_Efi_Service_Manual.pdf

Table of Contents 1988 Chevy Truck Wiring Diagram

1. Understanding the eBook 1988 Chevy Truck Wiring Diagram
 - The Rise of Digital Reading 1988 Chevy Truck Wiring Diagram
 - Advantages of eBooks Over Traditional Books
2. Identifying 1988 Chevy Truck Wiring Diagram
 - Exploring Different Genres
 - Considering Fiction vs. Non-Fiction
 - Determining Your Reading Goals
3. Choosing the Right eBook Platform
 - Popular eBook Platforms
 - Features to Look for in an 1988 Chevy Truck Wiring Diagram
 - User-Friendly Interface
4. Exploring eBook Recommendations from 1988 Chevy Truck Wiring Diagram
 - Personalized Recommendations
 - 1988 Chevy Truck Wiring Diagram User Reviews and Ratings
 - 1988 Chevy Truck Wiring Diagram and Bestseller Lists
5. Accessing 1988 Chevy Truck Wiring Diagram Free and Paid eBooks
 - 1988 Chevy Truck Wiring Diagram Public Domain eBooks
 - 1988 Chevy Truck Wiring Diagram eBook Subscription Services
 - 1988 Chevy Truck Wiring Diagram Budget-Friendly Options
6. Navigating 1988 Chevy Truck Wiring Diagram eBook Formats

- ePub, PDF, MOBI, and More
 - 1988 Chevy Truck Wiring Diagram Compatibility with Devices
 - 1988 Chevy Truck Wiring Diagram Enhanced eBook Features
7. Enhancing Your Reading Experience
 - Adjustable Fonts and Text Sizes of 1988 Chevy Truck Wiring Diagram
 - Highlighting and Note-Taking 1988 Chevy Truck Wiring Diagram
 - Interactive Elements 1988 Chevy Truck Wiring Diagram
 8. Staying Engaged with 1988 Chevy Truck Wiring Diagram
 - Joining Online Reading Communities
 - Participating in Virtual Book Clubs
 - Following Authors and Publishers 1988 Chevy Truck Wiring Diagram
 9. Balancing eBooks and Physical Books 1988 Chevy Truck Wiring Diagram
 - Benefits of a Digital Library
 - Creating a Diverse Reading Collection 1988 Chevy Truck Wiring Diagram
 10. Overcoming Reading Challenges
 - Dealing with Digital Eye Strain
 - Minimizing Distractions
 - Managing Screen Time
 11. Cultivating a Reading Routine 1988 Chevy Truck Wiring Diagram
 - Setting Reading Goals 1988 Chevy Truck Wiring Diagram
 - Carving Out Dedicated Reading Time
 12. Sourcing Reliable Information of 1988 Chevy Truck Wiring Diagram
 - Fact-Checking eBook Content of 1988 Chevy Truck Wiring Diagram
 - Distinguishing Credible Sources
 13. Promoting Lifelong Learning
 - Utilizing eBooks for Skill Development
 - Exploring Educational eBooks
 14. Embracing eBook Trends
 - Integration of Multimedia Elements
 - Interactive and Gamified eBooks

1988 Chevy Truck Wiring Diagram Introduction

In the digital age, access to information has become easier than ever before. The ability to download 1988 Chevy Truck Wiring Diagram has revolutionized the way we consume written content. Whether you are a student looking for course material, an avid reader searching for your next favorite book, or a professional seeking research papers, the option to download 1988 Chevy Truck Wiring Diagram has opened up a world of possibilities. Downloading 1988 Chevy Truck Wiring Diagram provides numerous advantages over physical copies of books and documents. Firstly, it is incredibly convenient. Gone are the days of carrying around heavy textbooks or bulky folders filled with papers. With the click of a button, you can gain immediate access to valuable resources on any device. This convenience allows for efficient studying, researching, and reading on the go. Moreover, the cost-effective nature of downloading 1988 Chevy Truck Wiring Diagram has democratized knowledge. Traditional books and academic journals can be expensive, making it difficult for individuals with limited financial resources to access information. By offering free PDF downloads, publishers and authors are enabling a wider audience to benefit from their work. This inclusivity promotes equal opportunities for learning and personal growth. There are numerous websites and platforms where individuals can download 1988 Chevy Truck Wiring Diagram. These websites range from academic databases offering research papers and journals to online libraries with an expansive collection of books from various genres. Many authors and publishers also upload their work to specific websites, granting readers access to their content without any charge. These platforms not only provide access to existing literature but also serve as an excellent platform for undiscovered authors to share their work with the world. However, it is essential to be cautious while downloading 1988 Chevy Truck Wiring Diagram. Some websites may offer pirated or illegally obtained copies of copyrighted material. Engaging in such activities not only violates copyright laws but also undermines the efforts of authors, publishers, and researchers. To ensure ethical downloading, it is advisable to utilize reputable websites that prioritize the legal distribution of content. When downloading 1988 Chevy Truck Wiring Diagram, users should also consider the potential security risks associated with online platforms. Malicious actors may exploit vulnerabilities in unprotected websites to distribute malware or steal personal information. To protect themselves, individuals should ensure their devices have reliable antivirus software installed and validate the legitimacy of the websites they are downloading from. In conclusion, the ability to download 1988 Chevy Truck Wiring Diagram has transformed the way we access information. With the convenience, cost-effectiveness, and accessibility it offers, free PDF downloads have become a popular choice for students, researchers, and book lovers worldwide. However, it is crucial to engage in ethical downloading practices and prioritize personal security when utilizing online platforms. By doing so, individuals can make the most of the vast array of free PDF resources available and embark on a journey of continuous learning and intellectual growth.

FAQs About 1988 Chevy Truck Wiring Diagram Books

1. Where can I buy 1988 Chevy Truck Wiring Diagram books? Bookstores: Physical bookstores like Barnes & Noble, Waterstones, and independent local stores. Online Retailers: Amazon, Book Depository, and various online bookstores offer a wide range of books in physical and digital formats.
2. What are the different book formats available? Hardcover: Sturdy and durable, usually more expensive. Paperback: Cheaper, lighter, and more portable than hardcovers. E-books: Digital books available for e-readers like Kindle or software like Apple Books, Kindle, and Google Play Books.
3. How do I choose a 1988 Chevy Truck Wiring Diagram book to read? Genres: Consider the genre you enjoy (fiction, non-fiction, mystery, sci-fi, etc.). Recommendations: Ask friends, join book clubs, or explore online reviews and recommendations. Author: If you like a particular author, you might enjoy more of their work.
4. How do I take care of 1988 Chevy Truck Wiring Diagram books? Storage: Keep them away from direct sunlight and in a dry environment. Handling: Avoid folding pages, use bookmarks, and handle them with clean hands. Cleaning: Gently dust the covers and pages occasionally.
5. Can I borrow books without buying them? Public Libraries: Local libraries offer a wide range of books for borrowing. Book Swaps: Community book exchanges or online platforms where people exchange books.
6. How can I track my reading progress or manage my book collection? Book Tracking Apps: Goodreads, LibraryThing, and Book Catalogue are popular apps for tracking your reading progress and managing book collections. Spreadsheets: You can create your own spreadsheet to track books read, ratings, and other details.
7. What are 1988 Chevy Truck Wiring Diagram audiobooks, and where can I find them? Audiobooks: Audio recordings of books, perfect for listening while commuting or multitasking. Platforms: Audible, LibriVox, and Google Play Books offer a wide selection of audiobooks.
8. How do I support authors or the book industry? Buy Books: Purchase books from authors or independent bookstores. Reviews: Leave reviews on platforms like Goodreads or Amazon. Promotion: Share your favorite books on social media or recommend them to friends.
9. Are there book clubs or reading communities I can join? Local Clubs: Check for local book clubs in libraries or community centers. Online Communities: Platforms like Goodreads have virtual book clubs and discussion groups.
10. Can I read 1988 Chevy Truck Wiring Diagram books for free? Public Domain Books: Many classic books are available for free as they're in the public domain. Free E-books: Some websites offer free e-books legally, like Project Gutenberg or Open Library.

Find 1988 Chevy Truck Wiring Diagram :

2005 2007 polaris atv ranger 700 efi service manual

2005 2013 note tone e11 service and repair manual

2005 audi a4 release bearing guide o ring manual

2005 gmc envoy navigation manual

2005 bombardier outlander max manual

2005 harley davidson flht flhr touring motorcycle repair

2005 honda metropolitan owners manual

2005 2006 honda trx500 ftrx foreman series repair manual

2005 audi allroad owners manual tpms

2005-2011 honda recon 250 repair manual trx 250

2005 acura rl service b

2005 gmc topkick service manual

2005 cub cadet m60 tank manual

2005 cr250r service manual

2005 honda metropolitan manual

1988 Chevy Truck Wiring Diagram :

hauser adagio albinoni youtube - Aug 23 2023

web nov 20 2017 follow hauser instagram com hausercello facebook com hauserofficial tiktok com hauser official hauser performing adagio by albinoni with the zagreb

adagio aparthotel serviced studio hotels accor - Feb 17 2023

web adagio offers modern functional studios aparthotels in europe discover adagio and enjoy free wi fi dry cleaning laundry parking much more book now

adagio definition meaning merriam webster - Jan 16 2023

web the meaning of adagio is at a slow tempo used chiefly as a direction in music at a slow tempo used chiefly as a direction in music see the full definition

adagio wikipedi - Dec 15 2022

web adagio müziğin yavaş çalınacağını gösteren bir işaret adagio lara fabian ın İtalyanca ve İngilizce versiyonları bulunan

şarkısı sol minör adagio albinoni tarafından bestelenen remo giazotto tarafından yazılan bir beste adagio

adagio wikipedia - Apr 19 2023

web adagio a tempo marking indicating that music is to be played slowly or a composition intended to be played in this manner adagio band a french progressive metal band

adagio apart otel studyo servis otelleri accor - Sep 24 2023

web adagio ile ücretsiz wi fi kuru temizleme çamaşırhane otopark ve çok daha fazlasını keşfedin şimdi yer adagio avrupa da modern kullanışlı stüdyolar ve daireler sunmaktadır

adagio in g minor albinoni youtube - Mar 18 2023

web enjoy this beautiful piece with an appropriately awe inspiring slideshow improve your mood with the scientific approach to journaling cbtthought

il divo adagio live video youtube - Jun 21 2023

web oct 25 2009 adagio adagio is a vocal arrangement of an original piece for strings and organ by remo giazotto based on a theme by baroque composer albinoni this magnificent live performance by il divo

apart hotel find your apartment hotel on adagio n 1 in europe - Jul 22 2023

web adagio has the largest network of aparthotels with over 100 addresses apart hotel with fully equipped kitchen at the best price

tomaso albinoni adagio best live version youtube - May 20 2023

web jun 13 2012 interpret copernicus chamber orchestra horst sohm conductor tomaso albinoni adagio en sol menor in g minor live in concert festival de musica de l

la tormenta perfecta el hombre contra los dioses del mar espinof - Feb 26 2023

web oct 30 2010 si con en la línea de fuego in the line of fire 1993 una película en la que la personalidad de eastwood se imponía con tanta facilidad hizo un buen thriller con la tormenta perfecta the perfect storm 2000 lidiando con algunas de las estrellas más comerciales de hollywood pudo hacer quizá su mejor película la más emocionante

qué es una tormenta perfecta y cómo se genera national - Aug 03 2023

web sep 28 2022 una tormenta perfecta es un evento meteorológico potencialmente peligroso que se hace más grave por una combinación extraña de circunstancias suelen ser inusualmente severas ya que suceden cuando coinciden estos tres factores

la tormenta perfecta tokyvideo - Mar 18 2022

web la tormenta perfecta 6k publicidad publicidad compártelo añadir a favoritos 1 me gusta 0 no me gusta 6k user 428399 suscribirse 2 subido hace 2 meses reportar este vídeo la tormenta perfecta películas otros publicidad comentarios usuario ver

más comentarios publicidad 15 03 ver más tarde

tormenta perfecta translation in english spanish english - Jun 20 2022

web hay una tormenta perfecta formándose y está aquí there is a perfect storm formulating and it is here perfect storms en 2011 profetizamos la tormenta perfecta in 2011 we prophesied the perfect storms

la tormenta perfecta película ver online en español justwatch - Mar 30 2023

web la tormenta perfecta ver online por stream comprarlo o rentarlo actualmente usted es capaz de ver la tormenta perfecta streaming en amazon prime video hbo max por lo tanto es posible alquilar la tormenta perfecta en apple tv amazon video microsoft store como descarga online y para comprarlo en apple tv amazon video microsoft

the perfect storm 2000 imdb - Sep 04 2023

web jun 30 2000 the perfect storm 2000 pg 13 2h 10m imdb rating 6 5 10 175k your rating rate popularity 4 357 87 play trailer 1 29 1 video 99 photos action adventure drama an unusually intense storm pattern catches some commercial fishermen unaware and puts them in mortal danger director wolfgang petersen writers sebastian junger

la tormenta perfecta película ver online en español justwatch - Dec 27 2022

web gloucester massachusetts octubre de 1991 el andrea gail es un barco de pesca capitaneado por billy tyne un veterano pescador cuyas últimas salidas se han saldado con paupérrimas capturas

la tormenta perfecta apple tv es - Sep 23 2022

web información la tormenta perfecta drama tyne está convencido de que puede cambiar su racha de mala suerte yendomás allá de donde normalmente llegan los barcos pesqueros de nueva inglaterra hasta el flemish cap una zona remota famosa por sus posibilidades de pesca una vez en el mar se entera de que se está formando una tormenta en tierra

la tormenta perfecta 2000 filmaffinity - Jul 02 2023

web la tormenta perfecta es una película dirigida por wolfgang petersen con george clooney mark wahlberg diane lane john c reilly año 2000 título original the perfect storm sinopsis gloucester massachusetts octubre de 1991

crítica de la película la tormenta perfecta sensacine com - Aug 23 2022

web encuentra las 2 reseñas y opiniones para la película la tormenta perfecta dirigido por wolfgang petersen con george clooney mark wahlberg diane lane

la tormenta perfecta 2000 película ecartelera - Jan 28 2023

web toda la información sobre la tormenta perfecta 2000 tráiler cartelera en cines sinopsis imágenes reparto críticas curiosidades de la tormenta perfecta gloucester massachusetts

la tormenta perfecta resumen personajes y autor estudiando - Jul 22 2022

web jan 2 2023 se trata de la tormenta perfecta de 1991 frente a nueva inglaterra una combinación de una tormenta del

noreste y un huracán que hundió el pequeño barco pesquero andrea gail y toda su tripulación sin embargo ni el libro ni la adaptación cinematográfica posterior son completamente fieles a la historia

críticas de la tormenta perfecta 2000 filmaffinity - Nov 25 2022

web the perfect storm 2000 wolfgang petersen george clooney mark wahlberg diane lane john c reilly 5 6 57 695 aventuras drama gloucester massachusetts octubre de 1991 el andrea gail es un barco de pesca capitaneado por billy tyne george clooney un veterano pescador cuyas últimas salidas se han saldado con paupérrimas capturas

la tormenta perfecta película 2000 sensacine com - Apr 30 2023

web la tormenta perfecta es una película dirigida por wolfgang petersen con george clooney mark wahlberg sinopsis gloucester fue durante casi cuatro siglos el primer puerto de américa

8 curiosidades que no sabías de la tormenta perfecta - May 20 2022

web sep 22 2023 cine 8 curiosidades que no sabías de la tormenta perfecta bemad es 22 09 2023 16 00h lo que no sabías de la tormenta perfecta se trata de una historia basada en hechos reales se hizo con 4 premios oscar y 28 nominaciones ninguno de los peces que aparecen en la película son reales

la tormenta perfecta free download borrow and streaming - Oct 25 2022

web sep 14 2022 la tormenta perfecta topics peli addeddate 2022 09 14 19 30 11 identifier la tormenta perfecta scanner internet archive html5 uploader 1 7 0 plus circle add review comment reviews there are no reviews yet be the first one to write a

perfect storm wikipedia - Jun 01 2023

web a perfect storm is a meteorological event aggravated by a rare combination of circumstances 1 the term is used by analogy to an unusually severe storm that results from a rare combination of meteorological phenomena origin

la tormenta perfecta wikipedia la enciclopedia libre - Oct 05 2023

web la tormenta perfecta en inglés the perfect storm es una película de 2000 adaptación del libro homónimo de sebastian junger el film fue dirigido por wolfgang petersen y protagonizado por george clooney mark wahlberg william fichtner john c reilly diane lane karen allen y mary elizabeth mastrantonio 1

bunbury la tormenta perfecta audio oficial youtube - Feb 14 2022

web may 25 2023 an gep music mix audio oficial de la canción de bunbury la tormenta perfecta suscríbete al canal youtube com user bunbury sigue a bunbury en rrss

ver la tormenta perfecta 2000 online cuevana 3 - Apr 18 2022

web jun 30 2000 la tormenta perfecta 2000 the perfect storm sinopsis gloucester massachusetts octubre de 1991 el andrea gail es un barco de pesca capitaneado por billy tyne george clooney un veterano pescador cuyas últimas salidas se han

saldado con paupérrimas capturas

tag 1 camino primitivo 2021 jakobsweg youtube - May 02 2023

web buen camino shop amzn to 3w2wyja pilger starter set amzn to 3f6gcoe bilderrahmen für pilgerpass amzn to 3mf0rea

spanien jakobsweg camino primitivo outdoorhandbuch outdoor - Feb 16 2022

web sep 15 2023 spanien jakobsweg camino primitivo outdoorhandbuch outdoor pilgerführer by raimund joos author git 02

infra lede project org 2023 09 15 12 03 29 subject spanien jakobsweg camino primitivo outdoorhandbuch outdoor

pilgerführer by raimund joos keywords

jakobsweg spanien camino primitivo - Jun 03 2023

web dec 3 2020 der camino primitivo stellt eine verbindung zwischen dem küstenweg camino de la costa und dem hauptweg

camino francés dar dieser weg ist einer der ältesten und wurde bereits im 9 und 10 jahrhundert als pilgerweg

wahrgenommen

spanien jakobsweg camino primitivo outdoor pilgerführer - Jul 04 2023

web spanien jakobsweg camino primitivo outdoor pilgerführer taschenbuch mit tipps für radpilger raimund joos isbn

9783866864825 kostenloser versand für alle bücher mit versand und verkauf duch amazon

camino primitivo der ursprünglichste jakobsweg in spanien - Aug 25 2022

web oct 14 2022 camino primitivo der ursprünglichste jakobsweg oktober 14 2022 patrick zimmermann inhaltsverzeichnis

camino primitivo der ursprüngliche jakobsweg nach santiago de compostela

camino primitivo reisen wandern radreisen vuelta - Jul 24 2022

web camino primitivo reisen wandern radreisen spanien portugal jakobsweg mit vuelta rad und wandertouren wanderreisen

auf dem camino primitivo als älteste jakobsweg route führt der primitivo von oviedo durch asturien und

spanien jakobsweg camino primitivo outdoorhandbuch nice - Apr 20 2022

web detail book title spanien jakobsweg camino primitivo outdoorhandbuch format pdf kindle epub language english asin

3866864825 paperback 283 pages pro

spanien jakobsweg camino primitivo outdoorhandbuch outdoor - May 22 2022

web spanien jakobsweg camino primitivo outdoorhandbuch outdoor pilgerführer by raimund joos author iet donnu edu ua

2023 09 28 23 28 18 subject spanien jakobsweg camino primitivo outdoorhandbuch outdoor pilgerführer by

st james way el camino de santiago gezimanya - Jun 22 2022

web may 14 2015 hep sirt çantalı gezginlere imrenmiştım ancak kısmet oldu bu yolculuk için ilk fikir the way filmi

izleyerek başladı filmi izledikten 10 dakika sonra etem ile birlikte gidiş tarihimizi ve rotamızı tespit etmiştik bile avrupa nın

ve dünyanın en tanınmış yürüyüş yollarından biri de st james yolu diğer deyişle İspanyolcası camino de santiago yani

camino primitivo der anspruchsvolle wunderschöne weg - Aug 05 2023

web jakobsweg camino primitivo alternative bezeichnung ursprünglicher jakobsweg land spanien länge 250 km benötigte zeit 2 3 wochen anzahl etappen ca 15 etappenlängen variabel 15 30 km herbergsdichte gut startpunkt oviedo ziel santiago de compostela wegprofil bergig anspruchsvoll besonderheit wenig bekannte route

camino primitivo besonderheiten jakobsweg youtube - Feb 28 2023

web nov 14 2021 buen camino shop amzn to 3w2wyja bilderrahmen für pilgerpass amzn to 3mf0rea pilgermuschel amzn to 3hhjxnd kappe

jakobsweg camino primitivo der ursprüngliche jakobsweg - Oct 07 2023

web mar 5 2023 jakobsweg camino primitivo der ursprüngliche jakobsweg 1 bewertung pilgerweg spanien verantwortlich für diesen inhalt draussen sein camino primitivo ursprünglicher jakobsweg camiño primitivo santiago de compostela the way of stjames video draussen sein irene killian am 05 03 2023 hallo schön dass

jakobsweg laufen in spanien und portugal camino tours - Mar 20 2022

web die möglichkeiten auf den jakobswegen sind vielfältig und individuell realisierbar du legst fest wann du starten möchtest und wie lange du laufen oder mit dem rad fahren möchtest zusatznächte oder verkürzungstransfers sind für jeden ort buchbar camino tours jakobswege in spanien und portugal

bir İnsanlık mirası santiago yolu el camino de santiago - Nov 27 2022

web jan 18 2016 mezarın bulunduğuna ilişkin söylencelerin ortaya çıkması ve 1189 yılında papa iii alexander in şehri kutsal ilan etmesinin ardından camino de santiago olarak bilinen hac yolu dört bir yandan hıristiyanları bölgeye çekmeye başlar dünyanın dini içerikli en uzun rotası olan camino de santiago 1987 yılında ilk

camino primitivo jakobsweg de - Jan 30 2023

web camino primitivo jakobswege fakten geheimtipp unter den jakobswegen 4 aller pilger wählen diesen weg 310 kilometer länge wegprofil schwer ideale reisezeit frühjahr bis herbst reisedauer 2 5 3 wochen der camino primitivo ist ein exot unter den jakobswegen

nordspanien jakobsweg camino primitivo mit tipps für - Apr 01 2023

web 16 90 preisangaben inkl ust abhängig von der lieferadresse kann die ust an der kasse variieren weitere informationen lieferung für 3 69 20 22 mai details lieferadresse wählen nur noch 10 auf lager menge in den einkaufswagen jetzt kaufen zahlung sichere transaktion versand buecher galerie ac verkäufer buecher galerie ac

camino primitivo 2023 etappen höhenprofil reiseführer - Sep 06 2023

web länge 321 kilometer etappen 13 15 etappen kürzere etappen möglich dauer 2 3 wochen zeit höhenprofil täglich bergauf bergab ausdauer erforderlich unterkünfte gute infrastruktur herbergen und andere unterkünfte kosten ab 25 30 tag an

abreise ausrüstung anreise flugzeug oder bahn und bus

camino primitivo der älteste jakobsweg komoot - Dec 29 2022

web der camino primitivo ist sehr anstrengend und anspruchsvoll er ist immer noch sehr ursprünglich geblieben und führt durch die faszinierende bergwelt in nordspanien dieser ursprünglich gebliebene jakobsweg beginnt in der alten königsstadt oviedo weitere informationen auf der webseite jakobsweg lebensweg

wanderführer jakobsweg camino primitivo fernwanderweg - Sep 25 2022

web wanderführer spanien jakobsweg camino primitivo fernwanderweg blick ins buch 16 90 inkl 7 mwst zzgl versandkosten artikelnummer 978 3 86686 482 5 schlagwörter kap finisterre pilgern 141 jakobsweg oviedo santiago de compostela pilgern in spanien raimund joos spanien camino camino primitivo santiago

spanien jakobsweg camino primitivo thalia - Oct 27 2022

web das buch beschreibt den verlauf des ca 310 km langen jakobsweg camino primitivo von oviedo bis santiago de compostela und den anschließenden weg zum kap finisterre 89 5 km der weg über die berge asturiens und galiciens gilt unter insidern als eine reizvolle Mischung aus pilgern und bergwandern