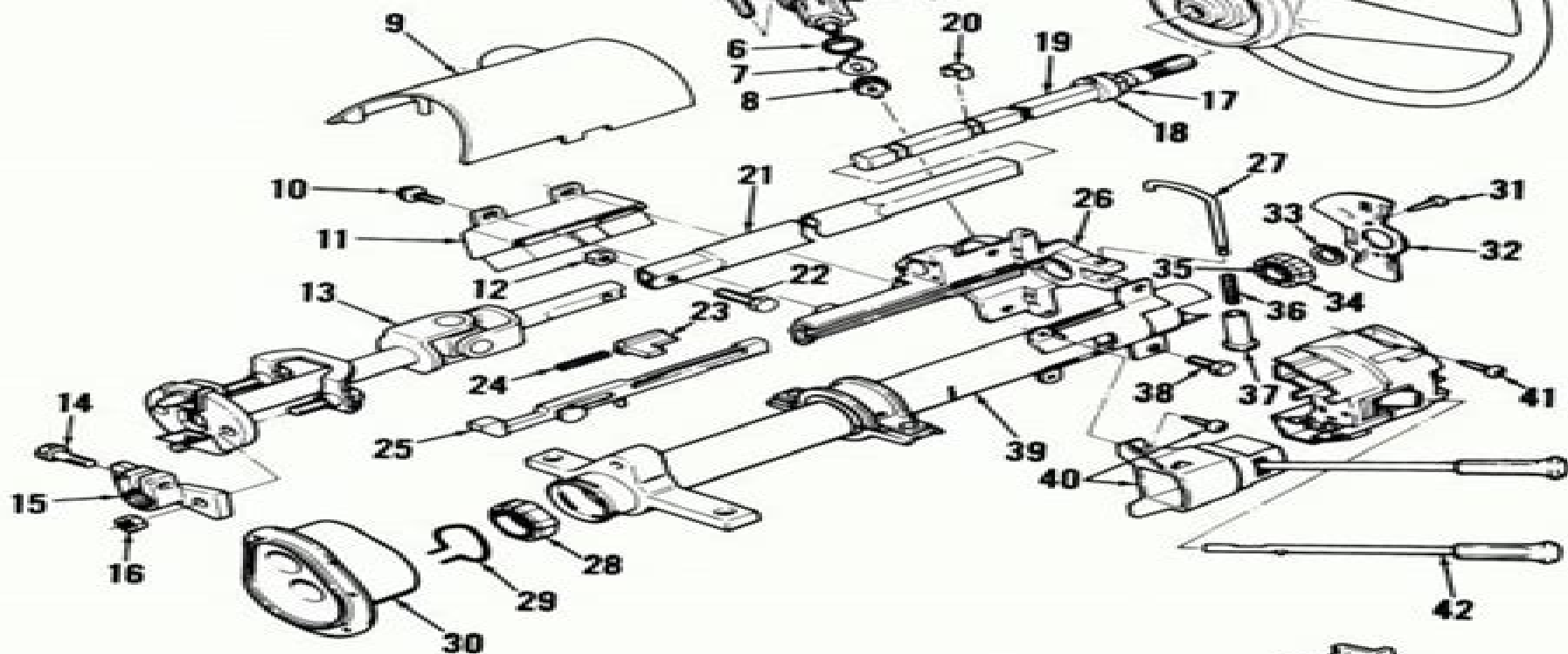
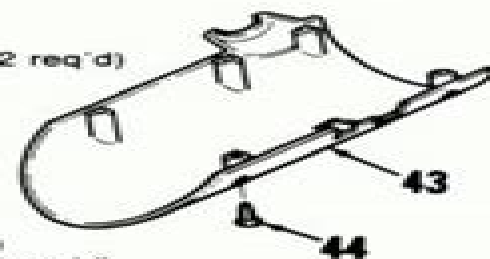


1. Emblem assy.
2. Nut 3/8-18 hex
3. Wheel assy-stng
4. Lock cyl-(body)
5. Key-(body)
6. Ring
7. Bearing
8. Gear-stng col lock
9. Shroud-upper



10. Bolt (break off head) (2 req'd)
11. Switch assy.-ignition
12. Nut 3/8-16 hex lock
13. Shaft assy-stng col lower
14. Bolt-3/8-24 x 1.22
15. Flange-stng shaft lower
16. Nut 3/8-16 hex lock
17. Cam-turn sig turn off
18. Lock-stng col position
19. Shaft-stng gear upper
20. Anti-rattle clips
21. Shaft-stng gear lower
22. Bolt 3/8-16 x 1 1/4 hex
23. Pawl-stng col lock
24. Spring-stng col lock
25. Actuator assy-stng col lock
26. Housing-stng col lock cyl
27. Lever-stng col lock actuator
28. Bearing assy-stng gear shaft lower
29. Ring-stng gear shaft lower bearing retainer
30. Boot assy-stng col

31. Screw no. 8-18 x .62 pan hd. tap (2 req'd)
32. Retainer-stng col upper bearing
33. Retainer-stng col upper bearing
34. Sleeve-stng col upper bearing
35. Bearing assy-stng col upper
36. Spring-stng col lock
37. Knob-stng col lock actuator
38. Bolt-M8 x 1.25 hex hd (2 req'd)
39. Tube assy col outer
40. Wash/wipe switch & screws (body)
41. Screw no. 8-18 x .62 pan hd tap (2 req'd)
42. Handle & shank assy-turn sig switch
43. Shroud-stng col lower
44. Screw no. 8-18 x 1.50 pan hd tap (4 req'd)
45. Foam cover
46. Screw (4 req'd)



1988 Chevy Truck Steering Column Horn Diagram

L Manion



1988 Chevy Truck Steering Column Horn Diagram:

Cars & Parts ,1998-07 **Chevy S-10/GMC S-15 Handbook** Truckin' Magazine,2001 With more than 10 million Chevy S 10 and GMC S 15 trucks produced this fully illustrated guide gives everything the light truck owner needs for modifying including upgrades and accessories for everyday use **Catalogue** Montgomery Ward,1973 *The Antique Automobile* ,1964 Includes a tenth anniversary issue dated Nov 1945 **Popular Science** ,2004-09 Popular Science gives our readers the information and tools to improve their technology and their world The core belief that Popular Science and our readers share The future is going to be better and science and technology are the driving forces that will help make it better *Automotive Industries* ,1964 Ward's Automotive Yearbook ,1969 Includes advertising matter **Hot Rod** ,1964 Automotive Daily News ,1964-10 **Union Agriculturist and Western Prairie Farmer** ,1978-07

Delve into the emotional tapestry woven by Crafted by in **1988 Chevy Truck Steering Column Horn Diagram** . This ebook, available for download in a PDF format (Download in PDF: *), is more than just words on a page; it is a journey of connection and profound emotion. Immerse yourself in narratives that tug at your heartstrings. Download now to experience the pulse of each page and let your emotions run wild.

https://forums.acdsystems.com/results/publication/fetch.php/2012_honda_crv_manual.pdf

Table of Contents 1988 Chevy Truck Steering Column Horn Diagram

1. Understanding the eBook 1988 Chevy Truck Steering Column Horn Diagram
 - The Rise of Digital Reading 1988 Chevy Truck Steering Column Horn Diagram
 - Advantages of eBooks Over Traditional Books
2. Identifying 1988 Chevy Truck Steering Column Horn Diagram
 - Exploring Different Genres
 - Considering Fiction vs. Non-Fiction
 - Determining Your Reading Goals
3. Choosing the Right eBook Platform
 - Popular eBook Platforms
 - Features to Look for in an 1988 Chevy Truck Steering Column Horn Diagram
 - User-Friendly Interface
4. Exploring eBook Recommendations from 1988 Chevy Truck Steering Column Horn Diagram
 - Personalized Recommendations
 - 1988 Chevy Truck Steering Column Horn Diagram User Reviews and Ratings
 - 1988 Chevy Truck Steering Column Horn Diagram and Bestseller Lists
5. Accessing 1988 Chevy Truck Steering Column Horn Diagram Free and Paid eBooks
 - 1988 Chevy Truck Steering Column Horn Diagram Public Domain eBooks
 - 1988 Chevy Truck Steering Column Horn Diagram eBook Subscription Services
 - 1988 Chevy Truck Steering Column Horn Diagram Budget-Friendly Options

6. Navigating 1988 Chevy Truck Steering Column Horn Diagram eBook Formats
 - ePub, PDF, MOBI, and More
 - 1988 Chevy Truck Steering Column Horn Diagram Compatibility with Devices
 - 1988 Chevy Truck Steering Column Horn Diagram Enhanced eBook Features
7. Enhancing Your Reading Experience
 - Adjustable Fonts and Text Sizes of 1988 Chevy Truck Steering Column Horn Diagram
 - Highlighting and Note-Taking 1988 Chevy Truck Steering Column Horn Diagram
 - Interactive Elements 1988 Chevy Truck Steering Column Horn Diagram
8. Staying Engaged with 1988 Chevy Truck Steering Column Horn Diagram
 - Joining Online Reading Communities
 - Participating in Virtual Book Clubs
 - Following Authors and Publishers 1988 Chevy Truck Steering Column Horn Diagram
9. Balancing eBooks and Physical Books 1988 Chevy Truck Steering Column Horn Diagram
 - Benefits of a Digital Library
 - Creating a Diverse Reading Collection 1988 Chevy Truck Steering Column Horn Diagram
10. Overcoming Reading Challenges
 - Dealing with Digital Eye Strain
 - Minimizing Distractions
 - Managing Screen Time
11. Cultivating a Reading Routine 1988 Chevy Truck Steering Column Horn Diagram
 - Setting Reading Goals 1988 Chevy Truck Steering Column Horn Diagram
 - Carving Out Dedicated Reading Time
12. Sourcing Reliable Information of 1988 Chevy Truck Steering Column Horn Diagram
 - Fact-Checking eBook Content of 1988 Chevy Truck Steering Column Horn Diagram
 - Distinguishing Credible Sources
13. Promoting Lifelong Learning
 - Utilizing eBooks for Skill Development
 - Exploring Educational eBooks
14. Embracing eBook Trends
 - Integration of Multimedia Elements

- Interactive and Gamified eBooks

1988 Chevy Truck Steering Column Horn Diagram Introduction

In the digital age, access to information has become easier than ever before. The ability to download 1988 Chevy Truck Steering Column Horn Diagram has revolutionized the way we consume written content. Whether you are a student looking for course material, an avid reader searching for your next favorite book, or a professional seeking research papers, the option to download 1988 Chevy Truck Steering Column Horn Diagram has opened up a world of possibilities. Downloading 1988 Chevy Truck Steering Column Horn Diagram provides numerous advantages over physical copies of books and documents. Firstly, it is incredibly convenient. Gone are the days of carrying around heavy textbooks or bulky folders filled with papers. With the click of a button, you can gain immediate access to valuable resources on any device. This convenience allows for efficient studying, researching, and reading on the go. Moreover, the cost-effective nature of downloading 1988 Chevy Truck Steering Column Horn Diagram has democratized knowledge. Traditional books and academic journals can be expensive, making it difficult for individuals with limited financial resources to access information. By offering free PDF downloads, publishers and authors are enabling a wider audience to benefit from their work. This inclusivity promotes equal opportunities for learning and personal growth. There are numerous websites and platforms where individuals can download 1988 Chevy Truck Steering Column Horn Diagram. These websites range from academic databases offering research papers and journals to online libraries with an expansive collection of books from various genres. Many authors and publishers also upload their work to specific websites, granting readers access to their content without any charge. These platforms not only provide access to existing literature but also serve as an excellent platform for undiscovered authors to share their work with the world. However, it is essential to be cautious while downloading 1988 Chevy Truck Steering Column Horn Diagram. Some websites may offer pirated or illegally obtained copies of copyrighted material. Engaging in such activities not only violates copyright laws but also undermines the efforts of authors, publishers, and researchers. To ensure ethical downloading, it is advisable to utilize reputable websites that prioritize the legal distribution of content. When downloading 1988 Chevy Truck Steering Column Horn Diagram, users should also consider the potential security risks associated with online platforms. Malicious actors may exploit vulnerabilities in unprotected websites to distribute malware or steal personal information. To protect themselves, individuals should ensure their devices have reliable antivirus software installed and validate the legitimacy of the websites they are downloading from. In conclusion, the ability to download 1988 Chevy Truck Steering Column Horn Diagram has transformed the way we access information. With the convenience, cost-effectiveness, and accessibility it offers, free PDF downloads have become a popular choice for students, researchers, and book lovers worldwide. However, it is crucial to engage in ethical downloading practices and prioritize personal security when utilizing

online platforms. By doing so, individuals can make the most of the vast array of free PDF resources available and embark on a journey of continuous learning and intellectual growth.

FAQs About 1988 Chevy Truck Steering Column Horn Diagram Books

How do I know which eBook platform is the best for me? Finding the best eBook platform depends on your reading preferences and device compatibility. Research different platforms, read user reviews, and explore their features before making a choice. Are free eBooks of good quality? Yes, many reputable platforms offer high-quality free eBooks, including classics and public domain works. However, make sure to verify the source to ensure the eBook credibility. Can I read eBooks without an eReader? Absolutely! Most eBook platforms offer web-based readers or mobile apps that allow you to read eBooks on your computer, tablet, or smartphone. How do I avoid digital eye strain while reading eBooks? To prevent digital eye strain, take regular breaks, adjust the font size and background color, and ensure proper lighting while reading eBooks. What the advantage of interactive eBooks? Interactive eBooks incorporate multimedia elements, quizzes, and activities, enhancing the reader engagement and providing a more immersive learning experience. 1988 Chevy Truck Steering Column Horn Diagram is one of the best book in our library for free trial. We provide copy of 1988 Chevy Truck Steering Column Horn Diagram in digital format, so the resources that you find are reliable. There are also many Ebooks of related with 1988 Chevy Truck Steering Column Horn Diagram. Where to download 1988 Chevy Truck Steering Column Horn Diagram online for free? Are you looking for 1988 Chevy Truck Steering Column Horn Diagram PDF? This is definitely going to save you time and cash in something you should think about.

Find 1988 Chevy Truck Steering Column Horn Diagram :

2012 honda crv manual

[2012 geometry larson teahcer](#)

[2012 dodge challenger manual vs automatic](#)

[2012 grade 10 limpopo november question paper mathematics paper1](#)

2012 answers electrical capstone

2012 mac mini manual

~~2012 harley davidson road king owners manual~~

[2012 mercedes benz ml350 colors](#)

2012 chrysler town and country user manual

2012 chevy equinox repair manual

2012 mdx repair guide

2012 mazda 3 sport owners manual

2012 honda civic fuse box location

2012 grade 1 physics paper 1

2012 camaro ss auto vs manual

1988 Chevy Truck Steering Column Horn Diagram :

Compound Sentences--Commas - Name Class Date ... ENGLISH101 - Compound Sentences--Commas - Name Class Date
Lesson 76 Commas: Compound Sentences Use commas between the main clauses in a compound sentence. ... Commas and
Compound Sentences Lesson 76. Class. Date. Commas and Compound Sentences. Use commas between the main clauses in a
compound sentence. Place a comma before a coordinating ... Unit 12: Punctuation, Abbreviations, and Numbers Lesson 76.
Class. Date. Commas: Compound Sentences. Use commas between the main clauses in a compound sentence. Place a comma
before a coordinating conjunction ... UNIT 12 PUNCTUATION END-OF-SENTENCE LESSON 73 ... COMMAS: COMPOUND
SENTENCES. LESSON 76 (EXERCISE 1). PAGES: 251-265. Susan's school performed Tom Sawyer, and she played Becky
Thatcher. 1. The much-admired ... Commas: Compound Sentences Flashcards Study with Quizlet and memorize flashcards
containing terms like go, none, Jersey and more. Lesson 76: Commas and Compound Sentences This activity was created by a
Quia Web subscriber. Learn more about Quia. Create your own activities. Answer : Commas vs. Semicolons - Compound
Sentences 3. The crab grass was flourishing, but the rest of the lawn, unfortunately, was dying. 4. The hill was covered with
wildflowers; it was a beautiful sight. 5. As ... Commas in Compound sentences Flashcards Study with Quizlet and memorize
flashcards containing terms like coordinating conjunctions, clause, phrase and more. Struggling with commas in compound
sentences ... I noticed I'm having a ton of trouble with commas in very similar types of sentences. Here are some examples:.
Commas in Compound Sentences Learn more about commas in compound sentences. Our lessons offer detailed explanations
along with exercises to test your knowledge. Math Nation Section 6 Test Yourself Flashcards Study with Quizlet and
memorize flashcards containing terms like A function has one to three roots, two extrema, one inflection point and the graph
start up ... Section 6: Quadratic Equations and Functions - Part 2 Feb 18, 2019 — Practice Tool," where you can practice all
the skills and concepts you learned in this section. Log in to Algebra Nation and try out the "Test ... Algebra nation unit 6
polynomial function test yourselfg Consider the graph of the following polynomial function: Which of the following equations
models the graph? Correct answer $f(x) = \frac{1}{4} \cdot 3x(x + 1)^2$. Algebra Nation Section 6 Topics 4-6 Algebra Nation Section 6

Topics 4-6 quiz for 8th grade students. Find other quizzes for Mathematics and more on Quizizz for free! Section 6: Quadratic Equations and Functions - Part 2 ... View Section 6 Answer Key (2).pdf from HEALTH 101 at Bunnell High School. Section 6: Quadratic Equations and Functions - Part 2 Section 6 - Topic 1 ... Algebra Nation Section 6 Algebra Nation Section 6 quiz for 8th grade students. Find other quizzes for and more on Quizizz for free! Transformations of the Dependent Variable of Quadratic You need your Algebra Nation book. 4. Answer the following question on your ... Section 6-Topic 7. Transformations of the Dependent Variable of Quadratic. math nation section 6 test yourself answers May 8, 2022 — Click here to get an answer to your question math nation section 6 test yourself answers. Math nation geometry section 6 test yourself answers math nation geometry section 6 test yourself answers . Sketching a polynomial function we have completed section 6. Math Nation Section 6 Test Yourself Flashcards Study with Quizlet and memorize flashcards containing terms like A function has one to three roots, two extrema, one inflection point and the graph start up ... Section 6: Quadratic Equations and Functions - Part 2 Feb 18, 2019 — Practice Tool,” where you can practice all the skills and concepts you learned in this section. Log in to Algebra Nation and try out the “Test ... Algebra nation unit 6 polynomial function test yourselfg Consider the graph of the following polynomial function: Which of the following equations models the graph? Correct answer $f(x) = \frac{1}{4} \cdot 3x(x + 1)^2$. Algebra Nation Section 6 Topics 4-6 Algebra Nation Section 6 Topics 4-6 quiz for 8th grade students. Find other quizzes for Mathematics and more on Quizizz for free! Section 6: Quadratic Equations and Functions - Part 2 ... View Section 6 Answer Key (2).pdf from HEALTH 101 at Bunnell High School. Section 6: Quadratic Equations and Functions - Part 2 Section 6 - Topic 1 ... Algebra Nation Section 6 Algebra Nation Section 6 quiz for 8th grade students. Find other quizzes for and more on Quizizz for free! Transformations of the Dependent Variable of Quadratic You need your Algebra Nation book. 4. Answer the following question on your ... Section 6-Topic 7. Transformations of the Dependent Variable of Quadratic. math nation section 6 test yourself answers May 8, 2022 — Click here to get an answer to your question math nation section 6 test yourself answers. Math nation geometry section 6 test yourself answers math nation geometry section 6 test yourself answers . Sketching a polynomial function we have completed section 6. User manual Husqvarna Viking 230 (English - 44 pages) Manual. View the manual for the Husqvarna Viking 230 here, for free. This manual comes under the category sewing machines and has been rated by 7 people ... User manual Husqvarna 230 (English - 44 pages) Manual. View the manual for the Husqvarna 230 here, for free. This manual comes under the category sewing machines and has been rated by 8 people with an ... Husqvarna 230 Manuals We have 1 Husqvarna 230 manual available for free PDF download: Operating Manual. Husqvarna 230 Operating Manual (45 pages). Viking 230 Instruction Manual This instruction manual is the ultimate guide to unlock the full potential of your Viking 230. No more confusion or frustration—just clear, concise instructions ... Manual Husqvarna 230 Sewing Machine Manual for Husqvarna 230 Sewing Machine. View and download the pdf, find answers to frequently asked questions and read feedback from users. Machine Support - HUSQVARNA VIKING®

Download manual. Troubleshooting guide. Register your machine. Machine support. Toll free 1.800.446.2333. Monday - Friday: 8:00 am - 4:00 pm CST info@ ... Husqvarna Viking 210 230 250 instruction user manual Husqvarna Viking 210 230 250 sewing machine instruction and user manual, 42 pages. PDF download. Husqvarna Viking 210 230 250 instruction user manual ... HUSQVARNA AUTOMOWER® 230 ACX/220 AC ... Introduction and safety
5. 1.1 Introduction .