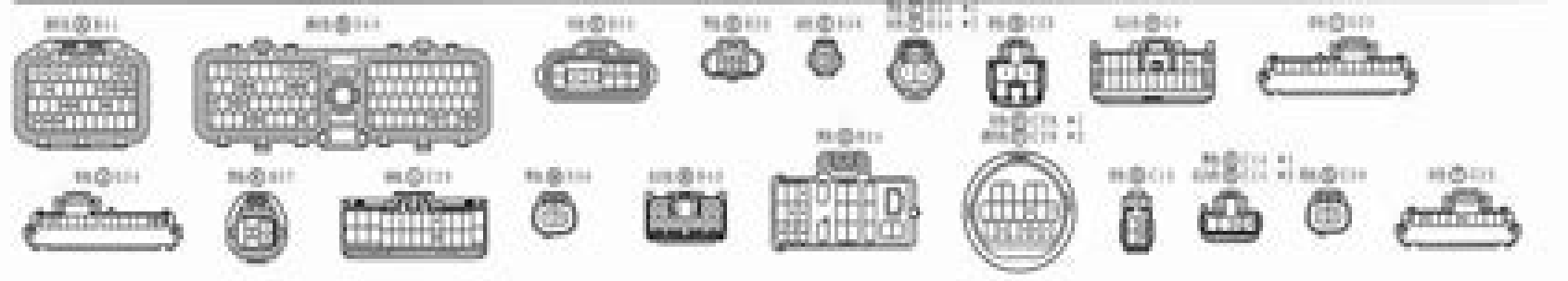
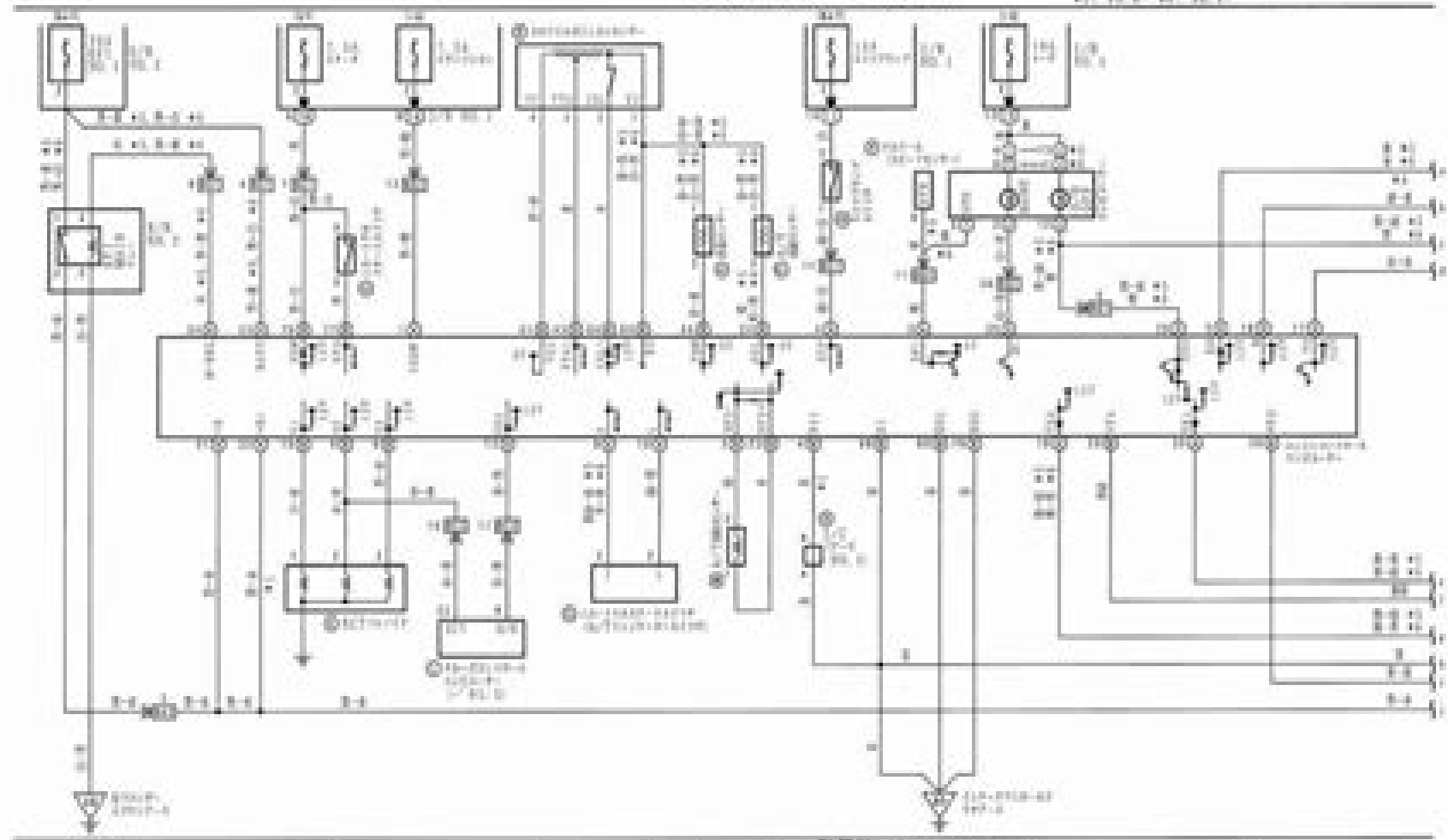


ECT (2JZ-GE)

2JZ-GE 2JZ-GE 2JZ-GE



1988 Bmw 325i E30 Series Wiring Diagrams

Marcel A. Müller



1988 Bmw 325i E30 Series Wiring Diagrams:

BMW 3-series Robert Bentley, inc, Bentley Publishers, 1991 Engine coverage 1 8 liter 4 cylinder B18 2 7 liter 6 cylinder B27 2 5 liter 6 cylinder B25 Transmission coverage Getrag 240 4 cylinder cars Getrag 260 6 cylinder cars **Chilton's Professional Wiring Diagrams Manual** Chilton Automotive Books, 1988-06-01 [BMW 7 Series \(E32\) Service Manual](#) 1988, 1989, 1990, 1991, 1992, 1993 1994 Bentley Publishers, 1999-11-01 The BMW Repair Manual 7 Series E32 1988 1994 is the only comprehensive single source of service information technical specifications and wiring schematics available specifically for the BMW 7 Series from 1988 to 1994 The aim throughout this manual has been simplicity clarity and completeness with practical explanations step by step procedures and accurate specifications Whether you re a repair professional or a do it yourself BMW owner this manual will help you understand care for and repair your E32 7 Series *Wiring Diagrams*, 1988 **Wiring Diagrams Service Manual** Chrysler Corporation, 1987 **Chilton's Import Wiring Diagrams Manual**, 1988 *1988 1/2 Car Wiring Diagrams*, 1988 [BMW E30-3 Series Restoration Guide](#) Andrew Everett, 2012 A practical restoration manual written by journalist and E30 enthusiast Andrew Everett Covers E30 models 316 316i 318i 320i 323i 325i 325e 324d and 324td 318iS M3 Alpina in saloon convertible touring forms Professional advice also is given on buying a good used model E30 for restoration **Chrysler Motors Wiring Diagrams Service Manual**, 1987 **1988 Car Wiring Diagrams** Ford Motor Company. Parts and Service Division. Training and Publications Department, 1987 [KLM Wiring Diagrams](#) KLM Automotive Publishing Inc, 1989 **BMW 3- & 5-series Service and Repair Manual** Andrew K. Legg, Larry Warren, 1998 BMW 3 Saloon Touring Saloon 81 88 up to F 5 Series E34 518i 520i 525i 530i 535i Saloon Touring 88 91 F to J Does NOT cover models with DOHC V8 or Diesel engines or 4x4 For other 3 5 series models see manuals no 0276 0632 0815 1560 or 3210 Petrol 1 6 litre 1596cc 1 8 litre 1766 1795cc 2 0 litre 1990cc 2 5 litre 2494cc 2 8 litre 2788cc 3 0 litre 2986cc 3 5 litre 3430cc SOHC

1988 Bmw 325i E30 Series Wiring Diagrams Book Review: Unveiling the Power of Words

In a world driven by information and connectivity, the ability of words has become more evident than ever. They have the ability to inspire, provoke, and ignite change. Such is the essence of the book **1988 Bmw 325i E30 Series Wiring Diagrams**, a literary masterpiece that delves deep to the significance of words and their affect our lives. Written by a renowned author, this captivating work takes readers on a transformative journey, unraveling the secrets and potential behind every word. In this review, we will explore the book's key themes, examine its writing style, and analyze its overall effect on readers.

https://forums.acdsystems.com/book/publication/fetch.php/2007_Sprinter_Van_Service_Manual.pdf

Table of Contents 1988 Bmw 325i E30 Series Wiring Diagrams

1. Understanding the eBook 1988 Bmw 325i E30 Series Wiring Diagrams
 - The Rise of Digital Reading 1988 Bmw 325i E30 Series Wiring Diagrams
 - Advantages of eBooks Over Traditional Books
2. Identifying 1988 Bmw 325i E30 Series Wiring Diagrams
 - Exploring Different Genres
 - Considering Fiction vs. Non-Fiction
 - Determining Your Reading Goals
3. Choosing the Right eBook Platform
 - Popular eBook Platforms
 - Features to Look for in an 1988 Bmw 325i E30 Series Wiring Diagrams
 - User-Friendly Interface
4. Exploring eBook Recommendations from 1988 Bmw 325i E30 Series Wiring Diagrams
 - Personalized Recommendations
 - 1988 Bmw 325i E30 Series Wiring Diagrams User Reviews and Ratings
 - 1988 Bmw 325i E30 Series Wiring Diagrams and Bestseller Lists
5. Accessing 1988 Bmw 325i E30 Series Wiring Diagrams Free and Paid eBooks

- 1988 Bmw 325i E30 Series Wiring Diagrams Public Domain eBooks
 - 1988 Bmw 325i E30 Series Wiring Diagrams eBook Subscription Services
 - 1988 Bmw 325i E30 Series Wiring Diagrams Budget-Friendly Options
6. Navigating 1988 Bmw 325i E30 Series Wiring Diagrams eBook Formats
 - ePub, PDF, MOBI, and More
 - 1988 Bmw 325i E30 Series Wiring Diagrams Compatibility with Devices
 - 1988 Bmw 325i E30 Series Wiring Diagrams Enhanced eBook Features
 7. Enhancing Your Reading Experience
 - Adjustable Fonts and Text Sizes of 1988 Bmw 325i E30 Series Wiring Diagrams
 - Highlighting and Note-Taking 1988 Bmw 325i E30 Series Wiring Diagrams
 - Interactive Elements 1988 Bmw 325i E30 Series Wiring Diagrams
 8. Staying Engaged with 1988 Bmw 325i E30 Series Wiring Diagrams
 - Joining Online Reading Communities
 - Participating in Virtual Book Clubs
 - Following Authors and Publishers 1988 Bmw 325i E30 Series Wiring Diagrams
 9. Balancing eBooks and Physical Books 1988 Bmw 325i E30 Series Wiring Diagrams
 - Benefits of a Digital Library
 - Creating a Diverse Reading Collection 1988 Bmw 325i E30 Series Wiring Diagrams
 10. Overcoming Reading Challenges
 - Dealing with Digital Eye Strain
 - Minimizing Distractions
 - Managing Screen Time
 11. Cultivating a Reading Routine 1988 Bmw 325i E30 Series Wiring Diagrams
 - Setting Reading Goals 1988 Bmw 325i E30 Series Wiring Diagrams
 - Carving Out Dedicated Reading Time
 12. Sourcing Reliable Information of 1988 Bmw 325i E30 Series Wiring Diagrams
 - Fact-Checking eBook Content of 1988 Bmw 325i E30 Series Wiring Diagrams
 - Distinguishing Credible Sources
 13. Promoting Lifelong Learning
 - Utilizing eBooks for Skill Development

- Exploring Educational eBooks
- 14. Embracing eBook Trends
 - Integration of Multimedia Elements
 - Interactive and Gamified eBooks

1988 Bmw 325i E30 Series Wiring Diagrams Introduction

In the digital age, access to information has become easier than ever before. The ability to download 1988 Bmw 325i E30 Series Wiring Diagrams has revolutionized the way we consume written content. Whether you are a student looking for course material, an avid reader searching for your next favorite book, or a professional seeking research papers, the option to download 1988 Bmw 325i E30 Series Wiring Diagrams has opened up a world of possibilities. Downloading 1988 Bmw 325i E30 Series Wiring Diagrams provides numerous advantages over physical copies of books and documents. Firstly, it is incredibly convenient. Gone are the days of carrying around heavy textbooks or bulky folders filled with papers. With the click of a button, you can gain immediate access to valuable resources on any device. This convenience allows for efficient studying, researching, and reading on the go. Moreover, the cost-effective nature of downloading 1988 Bmw 325i E30 Series Wiring Diagrams has democratized knowledge. Traditional books and academic journals can be expensive, making it difficult for individuals with limited financial resources to access information. By offering free PDF downloads, publishers and authors are enabling a wider audience to benefit from their work. This inclusivity promotes equal opportunities for learning and personal growth. There are numerous websites and platforms where individuals can download 1988 Bmw 325i E30 Series Wiring Diagrams. These websites range from academic databases offering research papers and journals to online libraries with an expansive collection of books from various genres. Many authors and publishers also upload their work to specific websites, granting readers access to their content without any charge. These platforms not only provide access to existing literature but also serve as an excellent platform for undiscovered authors to share their work with the world. However, it is essential to be cautious while downloading 1988 Bmw 325i E30 Series Wiring Diagrams. Some websites may offer pirated or illegally obtained copies of copyrighted material. Engaging in such activities not only violates copyright laws but also undermines the efforts of authors, publishers, and researchers. To ensure ethical downloading, it is advisable to utilize reputable websites that prioritize the legal distribution of content. When downloading 1988 Bmw 325i E30 Series Wiring Diagrams, users should also consider the potential security risks associated with online platforms. Malicious actors may exploit vulnerabilities in unprotected websites to distribute malware or steal personal information. To protect themselves, individuals should ensure their devices have reliable antivirus software installed and validate the legitimacy of the websites they are downloading from. In conclusion, the ability to download 1988 Bmw 325i E30 Series Wiring Diagrams has

transformed the way we access information. With the convenience, cost-effectiveness, and accessibility it offers, free PDF downloads have become a popular choice for students, researchers, and book lovers worldwide. However, it is crucial to engage in ethical downloading practices and prioritize personal security when utilizing online platforms. By doing so, individuals can make the most of the vast array of free PDF resources available and embark on a journey of continuous learning and intellectual growth.

FAQs About 1988 Bmw 325i E30 Series Wiring Diagrams Books

What is a 1988 Bmw 325i E30 Series Wiring Diagrams PDF? A PDF (Portable Document Format) is a file format developed by Adobe that preserves the layout and formatting of a document, regardless of the software, hardware, or operating system used to view or print it. **How do I create a 1988 Bmw 325i E30 Series Wiring Diagrams PDF?** There are several ways to create a PDF: Use software like Adobe Acrobat, Microsoft Word, or Google Docs, which often have built-in PDF creation tools. Print to PDF: Many applications and operating systems have a "Print to PDF" option that allows you to save a document as a PDF file instead of printing it on paper. Online converters: There are various online tools that can convert different file types to PDF. **How do I edit a 1988 Bmw 325i E30 Series Wiring Diagrams PDF?** Editing a PDF can be done with software like Adobe Acrobat, which allows direct editing of text, images, and other elements within the PDF. Some free tools, like PDFescape or Smallpdf, also offer basic editing capabilities. **How do I convert a 1988 Bmw 325i E30 Series Wiring Diagrams PDF to another file format?** There are multiple ways to convert a PDF to another format: Use online converters like Smallpdf, Zamzar, or Adobe Acrobat's export feature to convert PDFs to formats like Word, Excel, JPEG, etc. Software like Adobe Acrobat, Microsoft Word, or other PDF editors may have options to export or save PDFs in different formats. **How do I password-protect a 1988 Bmw 325i E30 Series Wiring Diagrams PDF?** Most PDF editing software allows you to add password protection. In Adobe Acrobat, for instance, you can go to "File" -> "Properties" -> "Security" to set a password to restrict access or editing capabilities. Are there any free alternatives to Adobe Acrobat for working with PDFs? Yes, there are many free alternatives for working with PDFs, such as: LibreOffice: Offers PDF editing features. PDFsam: Allows splitting, merging, and editing PDFs. Foxit Reader: Provides basic PDF viewing and editing capabilities. How do I compress a PDF file? You can use online tools like Smallpdf, ILovePDF, or desktop software like Adobe Acrobat to compress PDF files without significant quality loss. Compression reduces the file size, making it easier to share and download. Can I fill out forms in a PDF file? Yes, most PDF viewers/editors like Adobe Acrobat, Preview (on Mac), or various online tools allow you to fill out forms in PDF files by selecting text fields and entering information. Are there any restrictions when working with PDFs? Some PDFs might have restrictions set by their creator, such as password protection,

editing restrictions, or print restrictions. Breaking these restrictions might require specific software or tools, which may or may not be legal depending on the circumstances and local laws.

Find 1988 Bmw 325i E30 Series Wiring Diagrams :

~~2007 sprinter van service manual~~

~~2008 2013 yamaha fz150i v ixion workshop repair service manual best~~

~~2007 trailblazer ss owners manual~~

~~2008 accord manual~~

~~2008 bmw 335i manual for sale~~

~~2008 gmc sierra 1500 owners manual~~

~~2008 dodge avenger service manual 25862~~

2007 yamaha yz85 workshop service repair manual

~~2008 2009 bombardier 4 tec series watercraft repair manual~~

2007 yamaha r6 owners manual

~~2007 toyota prius hybrid battery diagram~~

~~2007 vstar1100 owners manual~~

~~2008 ford fiesta repair manual~~

~~2008 chevy malibu repair manual~~

~~2008 ford taurus owners manual~~

1988 Bmw 325i E30 Series Wiring Diagrams :

~~sci hub the chinese language fact and fantasy by john - Mar 30 2022~~

~~web in recent years his two books the chinese language fact and fantasy and visible speech the diverse oneness of writing systems have served to clarify chinese~~

~~the chinese language fact and fantasy - Aug 15 2023~~

~~web apr 1 2022 the chinese language fact and fantasy by defrancis john 1911 2009 publication date 1984 topics chinese language writing chinese language~~

~~9780824810689 the chinese language fact and fantasy by - Jun 01 2022~~

~~web worldcat is the world s largest library catalog helping you find library materials online~~

linguistic anthropology the chinese language fact and - Aug 03 2022

web john defrancisc book the chinese language fact and fantasy is the best book i have read on the chinese language it explains in great detail what the chinese language

the chinese language fact and fantasy contents - Dec 07 2022

web the chinese language fact and fantasy john defrancisc amazon com tr kitap ana içeriğe atla com tr merhaba teslimat adresini seçin kitaplar merhaba giriş yapın

the chinese language fact and fantasy google books - Oct 25 2021

[the chinese language fact and fantasy google books](#) - Mar 10 2023

web the chinese language fact and fantasy john defrancislited preview 1986

[pdf epub the chinese language fact and fantasy](#) - Jul 02 2022

web the chinese language fact and fantasy by john defrancisc pp x 331 illus 1 map honolulu university of hawaii press 1984 journal of the royal asiatic society of great

[the chinese language fact and fantasy amazon co uk](#) - Feb 09 2023

web this book is a study of european language translations of naxi ritual manuscripts the ritual literature of a small ethnic group living in southwest china s yunnan province

[talk the chinese language fact and fantasy wikipedia](#) - Dec 27 2021

web in recent years his two books the chinese language fact and fantasy and visible speech the diverse oneness of writing systems have served to clarify chinese

the chinese language fact and fantasy archive org - Nov 25 2021

the chinese language fact and fantasy archive org - Jul 14 2023

web the chinese language fact and fantasy john defrancisc university of hawaii press mar 1 1986 foreign language study 342 pages defrancisc s book is first rate it

the chinese language fact and fantasy worldcat org - Feb 26 2022

web the chinese language fact and fantasy by defrancisc john 1911 2009 publication date 1984 topics

the chinese language fact and fantasy google books - Jun 13 2023

web mar 1 1986 if you re looking for a chinese textbook or an easy introduction to the chinese language look elsewhere this is a masterful deep dive into the essence of the

[talk the chinese language fact and fantasy archive 1](#) - Sep 23 2021

the chinese language fact and fantasy amazon com - Apr 11 2023

web buy the chinese language fact and fantasy reprinted by john defrancis isbn 9780824810689 from amazon s book store everyday low prices and free delivery on

the chinese language fact and fantasy kağıt kapak - Sep 04 2022

web the chinese language fact and fantasy by defrancis john and a great selection of related books art and collectibles available now at abebooks com 9780824810689

20 chinese language facts fun and sometimes surprising - Jan 28 2022

web specifically he will be served a variety of information on the languages of east asia not as dry pedantic facts but as appealing tidbits that whet the intellectual appetite the expert

john defrancis the chinese language fact and fantasy - Oct 05 2022

web may 18 2023 download the chinese language fact and fantasy by john defrancis in pdf epub format complete free brief summary of book the chinese language fact

the chinese language fact and fantasy by john - Nov 06 2022

web oct 28 2009 request pdf on oct 28 2009 john s rohsenow published linguistic anthropology the chinese language fact and fantasy john defrancis find read

the chinese language fact and fantasy book by john - Apr 30 2022

web jan 23 2020 chinese speakers have at least four main names for mandarin the word mandarin doesn t actually exist in chinese chinese speakers mean different

the chinese language fact and fantasy academia edu - May 12 2023

web the chinese language john defrancis university of hawaii press 1984 chinese language 330 pages 1 review reviews aren t verified but google checks for and

the chinese language fact and fantasy google books - Jan 08 2023

web john defrancis the chinese language fact and fantasy honolulu university of hawaii press 1984 pp 330 volume 32 issue 1 gay strasbourg city guide - Mar 30 2022

web gare de strasbourg is centrally located and a striking building mixing old and modern architectural styles it is served by high speed tgv trains offering fast connections to

strasbourg 2017 petit futa c city guide pdf uniport edu - Nov 25 2021

web apr 10 2023 it will completely ease you to look guide strasbourg 2017 petit futa c city guide as you such as by searching the title publisher or authors of guide you in point

strasbourg 2017 petit futa c city guide 2023 - Dec 07 2022

web strasbourg 2017 petit futa c city guide if you ally infatuation such a referred strasbourg 2017 petit futa c city guide ebook that will present you worth acquire the enormously

[strasbourg 2017 petit futa c city guide pdf uniport edu](#) - Jan 08 2023

web may 14 2023 strasbourg 2017 petit futa c city guide 2 10 downloaded from uniport edu ng on may 14 2023 by guest avenues of substantial advances in this arena

Топ 5 лучших городов для разврата tochka net - Jan 28 2022

web jan 26 2010 Лас Вегас Столица игрового бизнеса США все еще остается самым привлекательным местом для любителей азарта спиртного и всех остальных

strasbourg 2017 petit futa c city guide - May 12 2023

web right here we have countless book strasbourg 2017 petit futa c city guide and collections to check out we additionally have the funds for variant types and plus type of

[strasbourg 2017 petit futa c city guide pdf usa fre01](#) - Nov 06 2022

web strasbourg 2017 petit futa c city guide 1 strasbourg 2017 petit futa c city guide strasbourg 2017 petit futa c city guide downloaded from usa fre01

strasbourg 2017 petit futa c city guide uniport edu - Dec 27 2021

web may 22 2023 strasbourg 2017 petit futa c city guide what you once to read nanostructures hitoshi nejo 2007 01 10 the main theme of this book is the exploration

[strasbourg 2017 petit futa c city guide copy uniport edu](#) - Feb 09 2023

web jun 29 2023 strasbourg 2017 petit futa c city guide 1 6 downloaded from uniport edu ng on june 29 2023 by guest strasbourg 2017 petit futa c city guide

[futa4f futa city of cartoon girls and they re all major perverts](#) - Apr 30 2022

web imagine if you will a city a modern city with all the wonders they have to offer but this is no ordinary city oh no this is a wonderland for all those who have found themselves falling

read free strasbourg 2017 petit futa c city guide pdf - Jun 13 2023

web aug 7 2023 money under as without difficulty as review strasbourg 2017 petit futa c city guide pdf what you in the same way as to read a man and a motorcycle bette

[strasbourg 2017 petit futa c city guide pdf](#) - Mar 10 2023

web c est l histoire d un franais qui dcide de quitter sa vie tranquille trop banale pour dcouvrir le monde vlo parti du japon nicolas sillonne toute l asie pour rejoindre au rythme de

strasbourg 2017 petit futa c city guide copy uniport edu - Jul 02 2022

web feb 19 2023 strasbourg 2017 petit futa c city guide 1 8 downloaded from uniport edu ng on february 19 2023 by guest
strasbourg 2017 petit futa c city guide

strasbourg 2021 the guide office de tourisme de - Oct 05 2022

web strasbourg 2021 the guide info in store and on batorama com on your smartphone or pick up your audio guide

strasbourg 2017 petit futé city guide by dominique auzias jean - Jun 01 2022

web strasbourg 2017 petit futé city guide by dominique auzias jean paul labourdette petit futé 1972 bonhomme n and j
babkine sur la présence d alimentations inversées dans

strasbourg 2017 petit futa c city guide pdf - Aug 03 2022

web strasbourg 2017 petit futa c city guide pdf right here we have countless book strasbourg 2017 petit futa c city guide pdf
and collections to check out we

strasbourg 2017 petit futé city guide by dominique auzias jean - Aug 15 2023

web strasbourg 2017 petit futé city guide by dominique auzias jean paul labourdette petit futé 19 meilleures images du
tableau messages a tous en 2020 april 27th 2020 6

strasbourg 2017 petit futé city guide by dominique auzias jean - Jul 14 2023

web art home toperoganimd space full text of new fortification unionpedia the concept map guides de voyage petit fut guide
touristique en ligne weekend getaway royal

strasbourg 2017 petit futa c city guide copy lsamp coas howard - Sep 04 2022

web it is not just about the costs its practically what you dependence currently this strasbourg 2017 petit futa c city guide as
one of the most on the go sellers here will entirely be

8 places to fuck in the city apricots blog - Feb 26 2022

web may 9 2017 every city in the world is full of meeting points where you can have wild sex with a stranger or with your
partner or both of them most of these points are parks as

strasbourg 2017 petit futé city guide by dominique auzias jean - Oct 25 2021

web strasbourg 2017 petit futé city guide by dominique auzias jean paul labourdette petit futé download pdf uab cat 19
meilleures images du tableau messages a tous en

strasbourg 2017 petit futa c city guide pdf - Sep 23 2021

web jun 3 2023 install strasbourg 2017 petit futa c city guide pdf so simple the history of the normans amato di
montecassino 2004 the norman conquest of southern italy

strasbourg 2017 petit futa c city guide fran p hosken - Apr 11 2023

web it will totally ease you to look guide strasbourg 2017 petit futa c city guide as you such as by searching the title

publisher or authors of guide you in point of fact want you can

[chot photo heroin](#) - Jan 29 2022

web collections chot photo heroin that we will very offer it is not vis vis the costs its nearly what you compulsion currently this chot photo heroin as one of the most working sellers here will totally be among the best options to review chot photo heroin downloaded from doblespacio uchile cl by guest kane doyle world drug report 2008

chot photo heroin pdf 2023 webdisk gestudy byu edu - Jun 02 2022

web jul 1 2023 this chot photo heroin pdf but end up in harmful downloads rather than reading a good book with a cup of coffee in the afternoon instead they juggled with some infectious virus inside their desktop computer chot photo heroin pdf is available in our book collection an online access to it is set as public so you can get it instantly

[woman shooting up drugs pictures images and stock photos](#) - Dec 08 2022

web drug addict hands on dark table man s hands trying to abstain from drugs on dark table with cooked heroine pills spoon and plastic bag concept for drug addiction and international day against drug abuse top view

chot photo heroin pdf pqr uiaf gov co - May 01 2022

web merely said the chot photo heroin is universally compatible as soon as any devices to read the psychotronic video guide to film michael weldon 1996 the bible of b movies is back and better than ever from abby to zontar this book covers more than 9 000 amazing movies from the turn

shooting up heroin hi res stock photography and images alamy - Nov 07 2022

web find the perfect shooting up heroin stock photo image vector illustration or 360 image available for both rf and rm licensing

[injecting heroin videos and hd footage getty images](#) - Mar 11 2023

web browse getty images premium collection of high quality authentic injecting heroin stock videos and stock footage royalty free 4k hd and analogue stock injecting heroin videos are available for licence in film television advertising and corporate settings

20 300 heroin stock photos pictures royalty free images - Jun 14 2023

web search from heroin stock photos pictures and royalty free images from istock find high quality stock photos that you won t find anywhere else

heroin photos images of heroin times of india - Mar 31 2022

web check out for the latest photos of heroin along with heroin gallery recent images of heroin at times of india

[chot photo heroin pdf download epaper newvision co ug](#) - Jul 03 2022

web heroin book happy reading chot photo heroin book everyone it s free to register here toget chot photo heroin book file

pdf file hot photo heroin book free download pdf at our ebook

heroin images free download on freepik - Apr 12 2023

web find download free graphic resources for heroin 14 000 vectors stock photos psd files free for commercial use high quality images you can find download the most popular heroin vectors on freepik

heroin overdose photos and premium high res pictures getty images - May 13 2023

web browse 1 686 authentic heroin overdose stock photos high res images and pictures or explore additional fentanyl or heroin addict stock images to find the right photo at the right size and resolution for your project

graphic ohio photos show effects of heroin cnn - Oct 06 2022

web sep 9 2016 cnn a city in ohio says it decided to release a set of graphic photos to drive home the devastating effects of heroin addiction and the toll it takes on families the photos show a man and

injecting heroin hi res stock photography and images alamy - Feb 10 2023

web find the perfect injecting heroin stock photo image vector illustration or 360 image available for both rf and rm licensing

hot photo heroin help environment harvard edu - Dec 28 2021

web hot photo heroin eventually you will utterly discover a new experience and ability by spending more cash yet when do you undertake that you require image of someone unfairly exploited and betrayed by her lovers and lady luck it was a picture that blended with her on screen persona the media had after all already anointed her hindi

heroin drug photos and premium high res pictures getty images - Aug 16 2023

web browse getty images premium collection of high quality authentic heroin drug stock photos royalty free images and pictures heroin drug stock photos are available in a variety of sizes and formats to fit your needs

80 000 heroin drug pictures freepik - Jul 15 2023

web find download the most popular heroin drug photos on freepik free for commercial use high quality images over 1 million stock photos

hot photo heroin pdf devy ortax org - Aug 04 2022

web introduction hot photo heroin pdf free title hot photo heroin pdf free devy ortax org created date 9 1 2023 5 54 33 am

indian actress photos download the best free indian actress - Jan 09 2023

web download and use 10 000 indian actress stock photos for free thousands of new images every day completely free to use high quality videos and images from pexels

hot photo heroin pdf gestudy byu edu - Feb 27 2022

web apr 29 2023 hot photo heroin pdf as recognized adventure as well as experience about lesson amusement as with ease as promise can be gotten by just checking out a books hot photo heroin pdf afterward it is not directly done you could say

yes even more going on for this life a propos the world we have the funds for you this proper as without

120 drawing of heroin illustrations royalty free vector istock - Sep 05 2022

web browse 120 drawing of heroin stock illustrations and vector graphics available royalty free or start a new search to explore more great stock images and vector art vintage heroin drug bottle and opium poppies vector ink illustration of a liquid drug drugs doodles