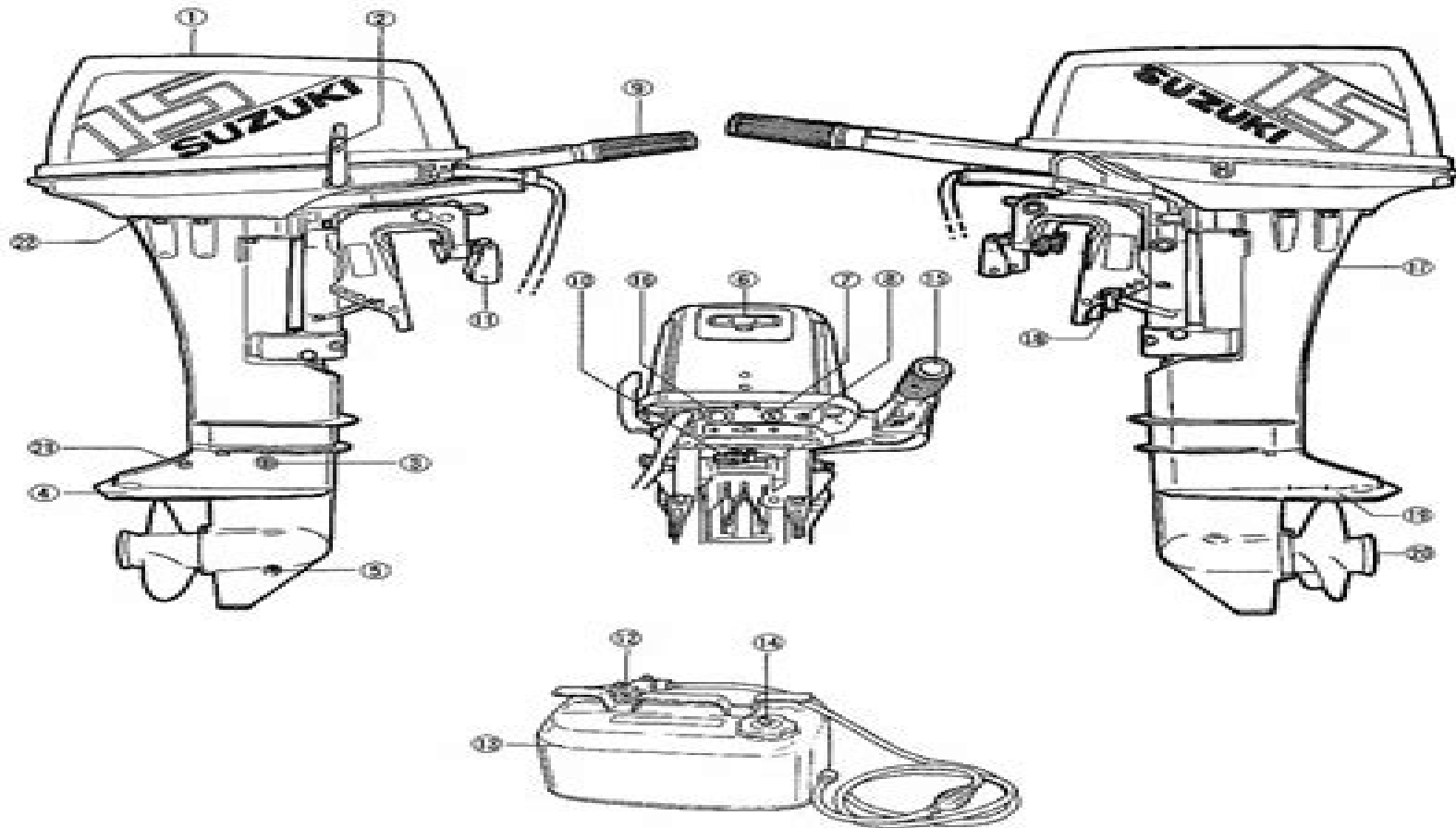


NOMENCLATURE



- ① Engine cover
- ② Clutch lever
- ③ Oil filler plug
- ④ Anti-cavitation plate
- ⑤ Oil drain plug
- ⑥ Starter grip
- ⑦ Choke knob
- ⑧ Fuel connector plug

- ⑨ Throttle control grip
- ⑩ Tilt release lever
- ⑪ Clamp screw
- ⑫ Fuel gauge
- ⑬ Fuel tank
- ⑭ Air-vent screw
- ⑮ Engine stop switch
- ⑯ Starter button
(Only for DT9.9E/DT15E)

- ⑰ Water outlet
- ⑱ Tilt pin
- ⑲ Water inlet
- ⑳ Exhaust outlet
- ㉑ Flush plug
- ㉒ Pilot water hole

1988 1997 Suzuki Dt8 Dt9 9 Dt15 2 Stroke Outboard Repair

Huangqi Zhang



1988 1997 Suzuki Dt8 Dt9 9 Dt15 2 Stroke Outboard Repair:

Suzuki Outboard Motor, DT9.9 ,1977 Suzuki 2-140 HP OB 77-1984 Penton Staff,2000-05-24 DT2 DT3 5 DT4 5 DT5 DT6 DT7 5 DT8 DT9 DT9 9 DT15 DT16 DT20 DT25 DT30 DT40 DT50 50M DT60 DT65 DT75 DT85 DT115 DT140 *Suzuki 2-Stroke OB 2-65 hp 92-99* Penton Staff,2000-05-24 DT2 DT2 2 DT4 DT5 DT6 DT8 DT9 9 DT15 DT25 DT30 DT40 DT55 DT65 PU40 PU55 **Suzuki 2-Stroke OB 2-65 hp 92-99** Penton Staff,2000-05-24 DT2 DT2 2 DT4 DT5 DT6 DT8 DT9 9 DT15 DT25 DT30 DT40 DT55 DT65 PU40 PU55 SELOC Suzuki Outboards Seloc,2000 SELOC Marine tune up and repair manuals provide the most comprehensive authoritative information available for outboard inboard and stern drive engines as well as personal watercraft SELOC has been the leading source of how to information for the marine industry since 1974 Designed and written to serve the needs of the professional mechanic do it yourself boat enthusiast instructor and student these manuals are based on actual teardowns done by Seloc s editors authors in our on site facility Every manual features Easy to follow step by step illustrated procedures Hundreds of exploded drawings photographs and tables Troubleshooting sections Accurate specifications and wiring diagrams Covers all 2 225 Hp 1 to 4 cylinder in line 4 V4 and V6 2 stroke models including fuel injected units and Jet Drives Nearly 1000 illustrations *Suzuki Outboards ,1999* *SELOC Suzuki Outboards ,2005* **Suzuki Outboard Motor, DT7.5-9 ,1976** *Suzuki Suzuki, Motor Co. Ltd,1977*

The Top Books of the Year 1988 1997 Suzuki Dt8 Dt9 9 Dt15 2 Stroke Outboard Repair The year 2023 has witnessed a remarkable surge in literary brilliance, with numerous engrossing novels captivating the hearts of readers worldwide. Lets delve into the realm of popular books, exploring the captivating narratives that have enthralled audiences this year. 1988 1997 Suzuki Dt8 Dt9 9 Dt15 2 Stroke Outboard Repair : Colleen Hoover's "It Ends with Us" This poignant tale of love, loss, and resilience has gripped readers with its raw and emotional exploration of domestic abuse. Hoover expertly weaves a story of hope and healing, reminding us that even in the darkest of times, the human spirit can succeed. Uncover the Best : Taylor Jenkins Reid's "The Seven Husbands of Evelyn Hugo" This captivating historical fiction novel unravels the life of Evelyn Hugo, a Hollywood icon who defies expectations and societal norms to pursue her dreams. Reid's absorbing storytelling and compelling characters transport readers to a bygone era, immersing them in a world of glamour, ambition, and self-discovery. Discover the Magic : Delia Owens' "Where the Crawdads Sing" This captivating coming-of-age story follows Kya Clark, a young woman who grows up alone in the marshes of North Carolina. Owens spins a tale of resilience, survival, and the transformative power of nature, entrancing readers with its evocative prose and mesmerizing setting. These bestselling novels represent just a fraction of the literary treasures that have emerged in 2023. Whether you seek tales of romance, adventure, or personal growth, the world of literature offers an abundance of engaging stories waiting to be discovered. The novel begins with Richard Papen, a bright but troubled young man, arriving at Hampden College. Richard is immediately drawn to the group of students who call themselves the Classics Club. The club is led by Henry Winter, a brilliant and charismatic young man. Henry is obsessed with Greek mythology and philosophy, and he quickly draws Richard into his world. The other members of the Classics Club are equally as fascinating. Bunny Corcoran is a wealthy and spoiled young man who is always looking for a good time. Charles Tavis is a quiet and reserved young man who is deeply in love with Henry. Camilla Macaulay is a beautiful and intelligent young woman who is drawn to the power and danger of the Classics Club. The students are all deeply in love with Morrow, and they are willing to do anything to please him. Morrow is a complex and mysterious figure, and he seems to be manipulating the students for his own purposes. As the students become more involved with Morrow, they begin to commit increasingly dangerous acts. The Secret History is a brilliant and gripping novel that will keep you speculating until the very end. The novel is a cautionary tale about the dangers of obsession and the power of evil.

https://forums.acdsystems.com/results/uploaded-files/HomePages/2008_acura_tl_brake_hardware_kit_manual.pdf

Table of Contents 1988 1997 Suzuki Dt8 Dt9 9 Dt15 2 Stroke Outboard Repair

1. Understanding the eBook 1988 1997 Suzuki Dt8 Dt9 9 Dt15 2 Stroke Outboard Repair
 - The Rise of Digital Reading 1988 1997 Suzuki Dt8 Dt9 9 Dt15 2 Stroke Outboard Repair
 - Advantages of eBooks Over Traditional Books
2. Identifying 1988 1997 Suzuki Dt8 Dt9 9 Dt15 2 Stroke Outboard Repair
 - Exploring Different Genres
 - Considering Fiction vs. Non-Fiction
 - Determining Your Reading Goals
3. Choosing the Right eBook Platform
 - Popular eBook Platforms
 - Features to Look for in an 1988 1997 Suzuki Dt8 Dt9 9 Dt15 2 Stroke Outboard Repair
 - User-Friendly Interface
4. Exploring eBook Recommendations from 1988 1997 Suzuki Dt8 Dt9 9 Dt15 2 Stroke Outboard Repair
 - Personalized Recommendations
 - 1988 1997 Suzuki Dt8 Dt9 9 Dt15 2 Stroke Outboard Repair User Reviews and Ratings
 - 1988 1997 Suzuki Dt8 Dt9 9 Dt15 2 Stroke Outboard Repair and Bestseller Lists
5. Accessing 1988 1997 Suzuki Dt8 Dt9 9 Dt15 2 Stroke Outboard Repair Free and Paid eBooks
 - 1988 1997 Suzuki Dt8 Dt9 9 Dt15 2 Stroke Outboard Repair Public Domain eBooks
 - 1988 1997 Suzuki Dt8 Dt9 9 Dt15 2 Stroke Outboard Repair eBook Subscription Services
 - 1988 1997 Suzuki Dt8 Dt9 9 Dt15 2 Stroke Outboard Repair Budget-Friendly Options
6. Navigating 1988 1997 Suzuki Dt8 Dt9 9 Dt15 2 Stroke Outboard Repair eBook Formats
 - ePub, PDF, MOBI, and More
 - 1988 1997 Suzuki Dt8 Dt9 9 Dt15 2 Stroke Outboard Repair Compatibility with Devices
 - 1988 1997 Suzuki Dt8 Dt9 9 Dt15 2 Stroke Outboard Repair Enhanced eBook Features
7. Enhancing Your Reading Experience
 - Adjustable Fonts and Text Sizes of 1988 1997 Suzuki Dt8 Dt9 9 Dt15 2 Stroke Outboard Repair
 - Highlighting and Note-Taking 1988 1997 Suzuki Dt8 Dt9 9 Dt15 2 Stroke Outboard Repair
 - Interactive Elements 1988 1997 Suzuki Dt8 Dt9 9 Dt15 2 Stroke Outboard Repair
8. Staying Engaged with 1988 1997 Suzuki Dt8 Dt9 9 Dt15 2 Stroke Outboard Repair

- Joining Online Reading Communities
 - Participating in Virtual Book Clubs
 - Following Authors and Publishers 1988 1997 Suzuki Dt8 Dt9 9 Dt15 2 Stroke Outboard Repair
9. Balancing eBooks and Physical Books 1988 1997 Suzuki Dt8 Dt9 9 Dt15 2 Stroke Outboard Repair
- Benefits of a Digital Library
 - Creating a Diverse Reading Collection 1988 1997 Suzuki Dt8 Dt9 9 Dt15 2 Stroke Outboard Repair
10. Overcoming Reading Challenges
- Dealing with Digital Eye Strain
 - Minimizing Distractions
 - Managing Screen Time
11. Cultivating a Reading Routine 1988 1997 Suzuki Dt8 Dt9 9 Dt15 2 Stroke Outboard Repair
- Setting Reading Goals 1988 1997 Suzuki Dt8 Dt9 9 Dt15 2 Stroke Outboard Repair
 - Carving Out Dedicated Reading Time
12. Sourcing Reliable Information of 1988 1997 Suzuki Dt8 Dt9 9 Dt15 2 Stroke Outboard Repair
- Fact-Checking eBook Content of 1988 1997 Suzuki Dt8 Dt9 9 Dt15 2 Stroke Outboard Repair
 - Distinguishing Credible Sources
13. Promoting Lifelong Learning
- Utilizing eBooks for Skill Development
 - Exploring Educational eBooks
14. Embracing eBook Trends
- Integration of Multimedia Elements
 - Interactive and Gamified eBooks

1988 1997 Suzuki Dt8 Dt9 9 Dt15 2 Stroke Outboard Repair Introduction

Free PDF Books and Manuals for Download: Unlocking Knowledge at Your Fingertips In today's fast-paced digital age, obtaining valuable knowledge has become easier than ever. Thanks to the internet, a vast array of books and manuals are now available for free download in PDF format. Whether you are a student, professional, or simply an avid reader, this treasure trove of downloadable resources offers a wealth of information, conveniently accessible anytime, anywhere. The advent of online libraries and platforms dedicated to sharing knowledge has revolutionized the way we consume information. No longer confined to physical libraries or bookstores, readers can now access an extensive collection of digital books and

manuals with just a few clicks. These resources, available in PDF, Microsoft Word, and PowerPoint formats, cater to a wide range of interests, including literature, technology, science, history, and much more. One notable platform where you can explore and download free 1988 1997 Suzuki Dt8 Dt9 9 Dt15 2 Stroke Outboard Repair PDF books and manuals is the internet's largest free library. Hosted online, this catalog compiles a vast assortment of documents, making it a veritable goldmine of knowledge. With its easy-to-use website interface and customizable PDF generator, this platform offers a user-friendly experience, allowing individuals to effortlessly navigate and access the information they seek. The availability of free PDF books and manuals on this platform demonstrates its commitment to democratizing education and empowering individuals with the tools needed to succeed in their chosen fields. It allows anyone, regardless of their background or financial limitations, to expand their horizons and gain insights from experts in various disciplines. One of the most significant advantages of downloading PDF books and manuals lies in their portability. Unlike physical copies, digital books can be stored and carried on a single device, such as a tablet or smartphone, saving valuable space and weight. This convenience makes it possible for readers to have their entire library at their fingertips, whether they are commuting, traveling, or simply enjoying a lazy afternoon at home. Additionally, digital files are easily searchable, enabling readers to locate specific information within seconds. With a few keystrokes, users can search for keywords, topics, or phrases, making research and finding relevant information a breeze. This efficiency saves time and effort, streamlining the learning process and allowing individuals to focus on extracting the information they need. Furthermore, the availability of free PDF books and manuals fosters a culture of continuous learning. By removing financial barriers, more people can access educational resources and pursue lifelong learning, contributing to personal growth and professional development. This democratization of knowledge promotes intellectual curiosity and empowers individuals to become lifelong learners, promoting progress and innovation in various fields. It is worth noting that while accessing free 1988 1997 Suzuki Dt8 Dt9 9 Dt15 2 Stroke Outboard Repair PDF books and manuals is convenient and cost-effective, it is vital to respect copyright laws and intellectual property rights. Platforms offering free downloads often operate within legal boundaries, ensuring that the materials they provide are either in the public domain or authorized for distribution. By adhering to copyright laws, users can enjoy the benefits of free access to knowledge while supporting the authors and publishers who make these resources available. In conclusion, the availability of 1988 1997 Suzuki Dt8 Dt9 9 Dt15 2 Stroke Outboard Repair free PDF books and manuals for download has revolutionized the way we access and consume knowledge. With just a few clicks, individuals can explore a vast collection of resources across different disciplines, all free of charge. This accessibility empowers individuals to become lifelong learners, contributing to personal growth, professional development, and the advancement of society as a whole. So why not unlock a world of knowledge today? Start exploring the vast sea of free PDF books and manuals waiting to be discovered right at your fingertips.

FAQs About 1988 1997 Suzuki Dt8 Dt9 9 Dt15 2 Stroke Outboard Repair Books

How do I know which eBook platform is the best for me? Finding the best eBook platform depends on your reading preferences and device compatibility. Research different platforms, read user reviews, and explore their features before making a choice. Are free eBooks of good quality? Yes, many reputable platforms offer high-quality free eBooks, including classics and public domain works. However, make sure to verify the source to ensure the eBook credibility. Can I read eBooks without an eReader? Absolutely! Most eBook platforms offer web-based readers or mobile apps that allow you to read eBooks on your computer, tablet, or smartphone. How do I avoid digital eye strain while reading eBooks? To prevent digital eye strain, take regular breaks, adjust the font size and background color, and ensure proper lighting while reading eBooks. What the advantage of interactive eBooks? Interactive eBooks incorporate multimedia elements, quizzes, and activities, enhancing the reader engagement and providing a more immersive learning experience. 1988 1997 Suzuki Dt8 Dt9 9 Dt15 2 Stroke Outboard Repair is one of the best book in our library for free trial. We provide copy of 1988 1997 Suzuki Dt8 Dt9 9 Dt15 2 Stroke Outboard Repair in digital format, so the resources that you find are reliable. There are also many Ebooks of related with 1988 1997 Suzuki Dt8 Dt9 9 Dt15 2 Stroke Outboard Repair. Where to download 1988 1997 Suzuki Dt8 Dt9 9 Dt15 2 Stroke Outboard Repair online for free? Are you looking for 1988 1997 Suzuki Dt8 Dt9 9 Dt15 2 Stroke Outboard Repair PDF? This is definitely going to save you time and cash in something you should think about.

Find 1988 1997 Suzuki Dt8 Dt9 9 Dt15 2 Stroke Outboard Repair :

[2008 acura tl brake hardware kit manual](#)

2007 sportster 883 owners manual

2008 august mechanotechnology question paper

[2007 yfz 450 factory manual](#)

[2007 toyota rav4 v6 auto wiring diagr](#)

2007 writing test ks1

2007 toyota rav4 user manual

[2008 acura rdx service repair manual](#)

2008 bmw 328i manual transmission

[2007 yamaha yzf r6 owners manual](#)

2008 accord performance parts user manual

2007 subaru b9 tribeca owners manual

[2008 arctic cat 400 500 650 700 atv service repair manual](#)

~~[2008 avalanche repair manual](#)~~

[2008 ford explorer manual](#)

1988 1997 Suzuki Dt8 Dt9 9 Dt15 2 Stroke Outboard Repair :

Workbook Answer Key - French Learn@Home Workbook Answer Keys. Please complete the workbook on your own FIRST. Then use the following answer keys to self correct your work. **Remember you will learn ... Workbook Answer Key - Learn@home French 10 Workbook Answer Keys Please complete the workbook on your own FIRST. Then use the following answer keys to self correct your work. Bon voyage french 2 workbook pdf Bon voyage french 2 workbook answers. Image not available forColor: To view this video download Flash Player If you forgot your workbook, please use the ... French Textbook Solutions & Answers Get your French homework done with Quizlet! Browse through thousands of step-by-step solutions to end-of-chapter questions from the ... Workbook Apprenons Solutions for Class 8 French CBSE Class 8 french Workbook Apprenons Solutions are created by experts of the subject, hence, sure to prepare students to score well. The questions provided in ... Answer key Students' own answers. 7. 1. a a documentary. b a children's story or fairy tale. c a book-film adaptation. 2. French bon voyage workbook answer key (Read Only) Aug 5, 2004 — answers without needing a proof or an exact calculation in street fighting ... French bon voyage workbook answer key (Read Only) . clube ... Workbook Answers | IB ESS by Science Sauce The workbook answer schemes below are community driven. Thank you to the ... Workbook Answers · Privacy Policy · Contact. What is Science Sauce? Science Sauce ... French 2 workbook answers - iwd3.de ... Bon Voyage French 2 Workbook Answer Key. With this file, you will not ... Read online Bon Voyage French 1 Workbook Answers book pdf free download link book now. French 2 workbook answers Bien Dit!Bon Voyage French 2 Workbook Answers File Type Glencoe French Bon Voyage Level 2, Workbook and Audio Activities by. FREE Unlimited Revisions ... Footnotes in Gaza - Wikipedia Footnotes in Gaza - Wikipedia Footnotes in Gaza In a quest to get to the heart of what happened, Joe Sacco immerses himself in the daily life of Rafah and the neighboring town of Khan Younis, uncovering Gaza ... Footnotes in Gaza: A Graphic Novel: Sacco, Joe In a quest to get to the heart of what happened, Joe Sacco immerses himself in the daily life of Rafah and the neighboring town of Khan Younis, uncovering Gaza ... Footnotes in Gaza by Joe Sacco Footnotes in Gaza is a masterful graphic novel that meticulously examines the lesser-explored history of those people and what they went through in the 50s, ... Footnotes In Gaza: Joe Sacco: Hardcover: 9780805073478 From the great cartoonist-reporter comes a sweeping, original investigation of a forgotten crime in the most tormented of places. Spanning 50 years and moving ... Footnotes in Gaza (Graphic Novel, Book) In a quest to get to the heart of what happened, Joe Sacco immerses himself in daily life of Rafah and the neighboring town of Khan Younis, uncovering Gaza past ... Book Review | 'Footnotes in Gaza,' Written

and Illustrated ... Dec 24, 2009 — Joe Sacco's account of mass killings of Palestinians in 1956 impressively combines graphic artistry and investigative reporting. Footnotes in Gaza by Joe Sacco, Paperback In a quest to get to the heart of what happened, Joe Sacco immerses himself in the daily life of Rafah and the neighboring town of Khan Younis, uncovering Gaza ... Footnotes in Gaza In a quest to get to the heart of what happened, Joe Sacco immerses himself in the daily life of Rafah and the neighboring town of Khan Younis, uncovering Gaza ... Footnotes in Gaza by Joe Sacco Mar 20, 2017 — Footnotes in Gaza is journalist Joe Sacco's exploration into two sparsely covered reports of massacres that occurred in Khan Younis and Rafah, ... nuevo Prisma A1 - Libro del alumno + CD In Spanish. Six levels (A1-C2): Each level consists of the student book (with or without audio CD), Student Exercises Book with audio CD, and the Teacher ... nuevo Prisma A1 alumno Edic.ampliada (Spanish ... Publisher, Editorial Edinumen, S.L.; 1st edition (January 1, 2014). Language, Spanish. Paperback, 140 pages. ISBN-10, 8498486009. nuevo Prisma A1 alumno+CD Edic.ampliada (Spanish ... New Prisma is a six-level structured Spanish course that follows a communicative, action-oriented and student-centered approach in order to encourage ... Student Book by Nuevo Prisma Nuevo Prisma A2 Student's Book Plus Eleteca (Spanish Edition). Equipo nuevo Prisma. ISBN 13: 9788498483697 ; Nuevo Prisma A1: Student Book + CD : 10 units. Nuevo ... Nuevo Prisma A1: Student Book + CD (Spanish Edition) by Nuevo Prisma Team, Maria Jose Gelabert. Recommend this! Marketplace Prices. New from \$47.40. New. \$47.40. Nuevo Prisma A1 Students Book with Audio CD (Other) New Prisma is a six-level structured Spanish course that follows a communicative, action-oriented and student-centered approach in order to encourage ... NUEVO PRISMA A1 STUDENTS BOOK WITH AUDIO CD ... New Prisma is a six-level structured Spanish course that follows a communicative, action-oriented and student-centered approach in order to encourage ... Nuevo Prisma A1 Comienza Libro del Alumno + CD (10 ... In Spanish. Six levels (A1-C2): Each level consists of the student book (with or without audio CD), Student Exercises Book with audio CD, and the Teacher ... Nuevo Prisma 1 Beginner Level A1 + CD (Spanish Edition) ... Nuevo Prisma 1 Beginner Level A1 + CD (Spanish Edition) By Nuevo ; Format. Paperback ; Language. UnKnown ; Accurate description. 4.8 ; Reasonable shipping cost. 5.0. Nuevo Prisma A1 Comienza Libro del Alumno ... From the publisher. In Spanish. Six levels (A1-C2): Each level consists of the student book (with or without audio CD), Student Exercises Book with audio CD ...