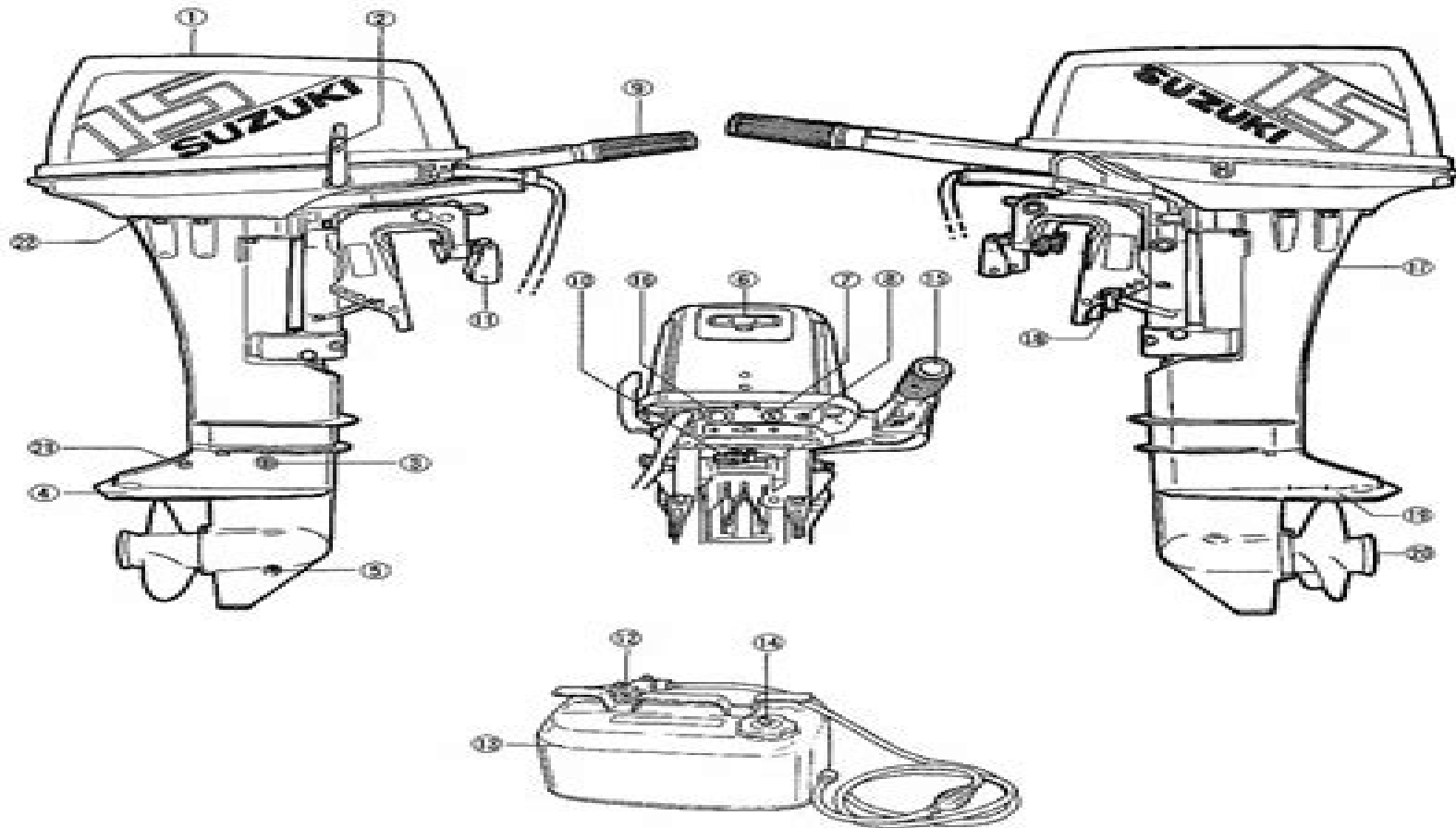


# NOMENCLATURE



- ① Engine cover
- ② Clutch lever
- ③ Oil filler plug
- ④ Anti-cavitation plate
- ⑤ Oil drain plug
- ⑥ Starter grip
- ⑦ Choke knob
- ⑧ Fuel connector plug

- ⑨ Throttle control grip
- ⑩ Tilt release lever
- ⑪ Clamp screw
- ⑫ Fuel gauge
- ⑬ Fuel tank
- ⑭ Air-vent screw
- ⑮ Engine stop switch
- ⑯ Starter button  
(Only for DT9.9E/DT15E)

- ⑰ Water outlet
- ⑱ Tilt pin
- ⑲ Water inlet
- ⑳ Exhaust outlet
- ㉑ Flush plug
- ㉒ Pilot water hole

# 1988 1997 Suzuki Dt8 Dt9 9 Dt15 2 Stroke Outboard Manual

**Lauren Gardner**



**1988 1997 Suzuki Dt8 Dt9 9 Dt15 2 Stroke Outboard Manual:**

*Suzuki Outboard Motor, DT9.9 ,1977*      **Suzuki 2-Stroke OB 2-65 hp 92-99** Penton Staff,2000-05-24 DT2 DT2 2 DT4 DT5 DT6 DT8 DT9 9 DT15 DT25 DT30 DT40 DT55 DT65 PU40 PU55      **Suzuki 2-140 HP OB 77-1984** Penton Staff,2000-05-24 DT2 DT3 5 DT4 5 DT5 DT6 DT7 5 DT8 DT9 DT9 9 DT15 DT16 DT20 DT25 DT30 DT40 DT50 50M DT60 DT65 DT75 DT85 DT115 DT140      Suzuki 2-Stroke OB 2-65 hp 92-99 Penton Staff,2000-05-24 DT2 DT2 2 DT4 DT5 DT6 DT8 DT9 9 DT15 DT25 DT30 DT40 DT55 DT65 PU40 PU55      *Suzuki Outboard Motor, DT7.5-9 ,1976*      Suzuki Suzuki, Motor Co. Ltd,1977      **Suzuki DT9.9/16 Service Manual ,1984**      **Suzuki Outboard Shop Manual 9.9-70 HP Four-Stroke, 1997-2000 ,2001**      Suzuki 2-225 HP OB & Jt D85-91 Penton Staff,2000-05-24 DT 2 DT 4 DT 6 DT 8 DT 8 SAIL DT 9 9 DT 9 9 SAIL DT 15 DT 20 DT 25 DT 30 DT 35 DT 40 DT 55 DT 65 DT 75 DT 85 DT 90 DT 100 DT 100 SUPER FOUR DT 115 DT 140 DT 150 DT 150 SUPER SIX DT 175 DT 200 DT 200 EXANTE DT 225      **SELOC Suzuki Outboards** Seloc,2000 SELOC Marine tune up and repair manuals provide the most comprehensive authoritative information available for outboard inboard and stern drive engines as well as personal watercraft SELOC has been the leading source of how to information for the marine industry since 1974 Designed and written to serve the needs of the professional mechanic do it yourself boat enthusiast instructor and student these manuals are based on actual teardowns done by Seloc s editors authors in our on site facility Every manual features Easy to follow step by step illustrated procedures Hundreds of exploded drawings photographs and tables Troubleshooting sections Accurate specifications and wiring diagrams Covers all 2 225 Hp 1 to 4 cylinder in line 4 V4 and V6 2 stroke models including fuel injected units and Jet Drives Nearly 1000 illustrations      Suzuki Outboard Motor ,1987      **Suzuki Outboard Motor, DT2 ,1976\***      Suzuki Outboard Motor, DT20-20E [and] DT25-25E ,1977      *SELOC Suzuki Outboards ,2005*      **Suzuki Outboard Motor DT 50/60/65 ,1987**

The Enigmatic Realm of **1988 1997 Suzuki Dt8 Dt9 9 Dt15 2 Stroke Outboard Manual**: Unleashing the Language is Inner Magic

In a fast-paced digital era where connections and knowledge intertwine, the enigmatic realm of language reveals its inherent magic. Its capacity to stir emotions, ignite contemplation, and catalyze profound transformations is nothing short of extraordinary. Within the captivating pages of **1988 1997 Suzuki Dt8 Dt9 9 Dt15 2 Stroke Outboard Manual** a literary masterpiece penned by way of a renowned author, readers embark on a transformative journey, unlocking the secrets and untapped potential embedded within each word. In this evaluation, we shall explore the book's core themes, assess its distinct writing style, and delve into its lasting affect the hearts and minds of those that partake in its reading experience.

[https://forums.acdsystems.com/public/detail/Download\\_PDFS/%20Ford%20Windstar%20Theft%20Reset.pdf](https://forums.acdsystems.com/public/detail/Download_PDFS/%20Ford%20Windstar%20Theft%20Reset.pdf)

## **Table of Contents 1988 1997 Suzuki Dt8 Dt9 9 Dt15 2 Stroke Outboard Manual**

1. Understanding the eBook 1988 1997 Suzuki Dt8 Dt9 9 Dt15 2 Stroke Outboard Manual
  - The Rise of Digital Reading 1988 1997 Suzuki Dt8 Dt9 9 Dt15 2 Stroke Outboard Manual
  - Advantages of eBooks Over Traditional Books
2. Identifying 1988 1997 Suzuki Dt8 Dt9 9 Dt15 2 Stroke Outboard Manual
  - Exploring Different Genres
  - Considering Fiction vs. Non-Fiction
  - Determining Your Reading Goals
3. Choosing the Right eBook Platform
  - Popular eBook Platforms
  - Features to Look for in an 1988 1997 Suzuki Dt8 Dt9 9 Dt15 2 Stroke Outboard Manual
  - User-Friendly Interface
4. Exploring eBook Recommendations from 1988 1997 Suzuki Dt8 Dt9 9 Dt15 2 Stroke Outboard Manual
  - Personalized Recommendations
  - 1988 1997 Suzuki Dt8 Dt9 9 Dt15 2 Stroke Outboard Manual User Reviews and Ratings

- 1988 1997 Suzuki Dt8 Dt9 9 Dt15 2 Stroke Outboard Manual and Bestseller Lists
- 5. Accessing 1988 1997 Suzuki Dt8 Dt9 9 Dt15 2 Stroke Outboard Manual Free and Paid eBooks
  - 1988 1997 Suzuki Dt8 Dt9 9 Dt15 2 Stroke Outboard Manual Public Domain eBooks
  - 1988 1997 Suzuki Dt8 Dt9 9 Dt15 2 Stroke Outboard Manual eBook Subscription Services
  - 1988 1997 Suzuki Dt8 Dt9 9 Dt15 2 Stroke Outboard Manual Budget-Friendly Options
- 6. Navigating 1988 1997 Suzuki Dt8 Dt9 9 Dt15 2 Stroke Outboard Manual eBook Formats
  - ePub, PDF, MOBI, and More
  - 1988 1997 Suzuki Dt8 Dt9 9 Dt15 2 Stroke Outboard Manual Compatibility with Devices
  - 1988 1997 Suzuki Dt8 Dt9 9 Dt15 2 Stroke Outboard Manual Enhanced eBook Features
- 7. Enhancing Your Reading Experience
  - Adjustable Fonts and Text Sizes of 1988 1997 Suzuki Dt8 Dt9 9 Dt15 2 Stroke Outboard Manual
  - Highlighting and Note-Taking 1988 1997 Suzuki Dt8 Dt9 9 Dt15 2 Stroke Outboard Manual
  - Interactive Elements 1988 1997 Suzuki Dt8 Dt9 9 Dt15 2 Stroke Outboard Manual
- 8. Staying Engaged with 1988 1997 Suzuki Dt8 Dt9 9 Dt15 2 Stroke Outboard Manual
  - Joining Online Reading Communities
  - Participating in Virtual Book Clubs
  - Following Authors and Publishers 1988 1997 Suzuki Dt8 Dt9 9 Dt15 2 Stroke Outboard Manual
- 9. Balancing eBooks and Physical Books 1988 1997 Suzuki Dt8 Dt9 9 Dt15 2 Stroke Outboard Manual
  - Benefits of a Digital Library
  - Creating a Diverse Reading Collection 1988 1997 Suzuki Dt8 Dt9 9 Dt15 2 Stroke Outboard Manual
- 10. Overcoming Reading Challenges
  - Dealing with Digital Eye Strain
  - Minimizing Distractions
  - Managing Screen Time
- 11. Cultivating a Reading Routine 1988 1997 Suzuki Dt8 Dt9 9 Dt15 2 Stroke Outboard Manual
  - Setting Reading Goals 1988 1997 Suzuki Dt8 Dt9 9 Dt15 2 Stroke Outboard Manual
  - Carving Out Dedicated Reading Time
- 12. Sourcing Reliable Information of 1988 1997 Suzuki Dt8 Dt9 9 Dt15 2 Stroke Outboard Manual
  - Fact-Checking eBook Content of 1988 1997 Suzuki Dt8 Dt9 9 Dt15 2 Stroke Outboard Manual
  - Distinguishing Credible Sources

13. Promoting Lifelong Learning
  - Utilizing eBooks for Skill Development
  - Exploring Educational eBooks
14. Embracing eBook Trends
  - Integration of Multimedia Elements
  - Interactive and Gamified eBooks

### **1988 1997 Suzuki Dt8 Dt9 9 Dt15 2 Stroke Outboard Manual Introduction**

Free PDF Books and Manuals for Download: Unlocking Knowledge at Your Fingertips In today's fast-paced digital age, obtaining valuable knowledge has become easier than ever. Thanks to the internet, a vast array of books and manuals are now available for free download in PDF format. Whether you are a student, professional, or simply an avid reader, this treasure trove of downloadable resources offers a wealth of information, conveniently accessible anytime, anywhere. The advent of online libraries and platforms dedicated to sharing knowledge has revolutionized the way we consume information. No longer confined to physical libraries or bookstores, readers can now access an extensive collection of digital books and manuals with just a few clicks. These resources, available in PDF, Microsoft Word, and PowerPoint formats, cater to a wide range of interests, including literature, technology, science, history, and much more. One notable platform where you can explore and download free 1988 1997 Suzuki Dt8 Dt9 9 Dt15 2 Stroke Outboard Manual PDF books and manuals is the internet's largest free library. Hosted online, this catalog compiles a vast assortment of documents, making it a veritable goldmine of knowledge. With its easy-to-use website interface and customizable PDF generator, this platform offers a user-friendly experience, allowing individuals to effortlessly navigate and access the information they seek. The availability of free PDF books and manuals on this platform demonstrates its commitment to democratizing education and empowering individuals with the tools needed to succeed in their chosen fields. It allows anyone, regardless of their background or financial limitations, to expand their horizons and gain insights from experts in various disciplines. One of the most significant advantages of downloading PDF books and manuals lies in their portability. Unlike physical copies, digital books can be stored and carried on a single device, such as a tablet or smartphone, saving valuable space and weight. This convenience makes it possible for readers to have their entire library at their fingertips, whether they are commuting, traveling, or simply enjoying a lazy afternoon at home. Additionally, digital files are easily searchable, enabling readers to locate specific information within seconds. With a few keystrokes, users can search for keywords, topics, or phrases, making research and finding relevant information a breeze. This efficiency saves time and effort, streamlining the learning process and allowing individuals to focus on extracting the information they need. Furthermore, the availability of free PDF books

and manuals fosters a culture of continuous learning. By removing financial barriers, more people can access educational resources and pursue lifelong learning, contributing to personal growth and professional development. This democratization of knowledge promotes intellectual curiosity and empowers individuals to become lifelong learners, promoting progress and innovation in various fields. It is worth noting that while accessing free 1988 1997 Suzuki Dt8 Dt9 9 Dt15 2 Stroke Outboard Manual PDF books and manuals is convenient and cost-effective, it is vital to respect copyright laws and intellectual property rights. Platforms offering free downloads often operate within legal boundaries, ensuring that the materials they provide are either in the public domain or authorized for distribution. By adhering to copyright laws, users can enjoy the benefits of free access to knowledge while supporting the authors and publishers who make these resources available. In conclusion, the availability of 1988 1997 Suzuki Dt8 Dt9 9 Dt15 2 Stroke Outboard Manual free PDF books and manuals for download has revolutionized the way we access and consume knowledge. With just a few clicks, individuals can explore a vast collection of resources across different disciplines, all free of charge. This accessibility empowers individuals to become lifelong learners, contributing to personal growth, professional development, and the advancement of society as a whole. So why not unlock a world of knowledge today? Start exploring the vast sea of free PDF books and manuals waiting to be discovered right at your fingertips.

### **FAQs About 1988 1997 Suzuki Dt8 Dt9 9 Dt15 2 Stroke Outboard Manual Books**

**What is a 1988 1997 Suzuki Dt8 Dt9 9 Dt15 2 Stroke Outboard Manual PDF?** A PDF (Portable Document Format) is a file format developed by Adobe that preserves the layout and formatting of a document, regardless of the software, hardware, or operating system used to view or print it. **How do I create a 1988 1997 Suzuki Dt8 Dt9 9 Dt15 2 Stroke Outboard Manual PDF?** There are several ways to create a PDF: Use software like Adobe Acrobat, Microsoft Word, or Google Docs, which often have built-in PDF creation tools. Print to PDF: Many applications and operating systems have a "Print to PDF" option that allows you to save a document as a PDF file instead of printing it on paper. Online converters: There are various online tools that can convert different file types to PDF. **How do I edit a 1988 1997 Suzuki Dt8 Dt9 9 Dt15 2 Stroke Outboard Manual PDF?** Editing a PDF can be done with software like Adobe Acrobat, which allows direct editing of text, images, and other elements within the PDF. Some free tools, like PDFescape or Smallpdf, also offer basic editing capabilities. **How do I convert a 1988 1997 Suzuki Dt8 Dt9 9 Dt15 2 Stroke Outboard Manual PDF to another file format?** There are multiple ways to convert a PDF to another format: Use online converters like Smallpdf, Zamzar, or Adobe Acrobat's export feature to convert PDFs to formats like Word, Excel, JPEG, etc. Software like Adobe Acrobat, Microsoft Word, or other PDF editors may have options to export or save PDFs in different formats. **How do I**

**password-protect a 1988 1997 Suzuki Dt8 Dt9 9 Dt15 2 Stroke Outboard Manual PDF?** Most PDF editing software allows you to add password protection. In Adobe Acrobat, for instance, you can go to "File" -> "Properties" -> "Security" to set a password to restrict access or editing capabilities. Are there any free alternatives to Adobe Acrobat for working with PDFs? Yes, there are many free alternatives for working with PDFs, such as: LibreOffice: Offers PDF editing features. PDFsam: Allows splitting, merging, and editing PDFs. Foxit Reader: Provides basic PDF viewing and editing capabilities. How do I compress a PDF file? You can use online tools like Smallpdf, ILovePDF, or desktop software like Adobe Acrobat to compress PDF files without significant quality loss. Compression reduces the file size, making it easier to share and download. Can I fill out forms in a PDF file? Yes, most PDF viewers/editors like Adobe Acrobat, Preview (on Mac), or various online tools allow you to fill out forms in PDF files by selecting text fields and entering information. Are there any restrictions when working with PDFs? Some PDFs might have restrictions set by their creator, such as password protection, editing restrictions, or print restrictions. Breaking these restrictions might require specific software or tools, which may or may not be legal depending on the circumstances and local laws.

**Find 1988 1997 Suzuki Dt8 Dt9 9 Dt15 2 Stroke Outboard Manual :**

~~2000 ford windstar theft reset~~

**2000 chevy prizm owners manual**

~~2000 polaris sportsman 500 repair manual~~

*2000 lincoln ls v8 manual*

*2000 honda odyssey owners manual dash symbols*

2000 john deere 4300 operators manual

*2000 corvette service manual*

~~2000 chevy cavalier fuse panel~~

2000 ford explorer fuse box diagram

2000 chevy blazer parts diagram

**2000 hyundai accent engine wiring harness**

*2000 gasoline ds club car owners manual*

2000 daihatsu terios owners manual

2000 ford expedition air conditioning

**2000 chevrolet cavalier factory service manual**



**1988 1997 Suzuki Dt8 Dt9 9 Dt15 2 Stroke Outboard Manual :**

**carrier 19dk packaged hermetic centrifugal liquid chiller** - Sep 08 2022

web carrier 19dk packaged hermetic centrifugal liquid chiller 50 60 hz 15 50 tons 500 1600 kw brands carrier categories packaged hermetic centrifugal liquid chillers pricing uom attributes piece unit

*carrier 19dk chiller hvac talk* - Jun 05 2022

web may 3 2008 once you ve done some you should be able to do the others with the drawing and tolerances given in the i o m for that machine with the exception of 19dm the i o m manuals are down loadable from carrier com literature if they have never done a 19d series they really need to work with a mechanic with experience

carrier 19dk installation instructions manual pdf - Mar 14 2023

web chiller 19dk installation instructions manual carrier 19dk installation instructions manual hermetic centrifugal 100 thru 475 tons 352 thru 1670 kw also see for 19dk operating and maintenance instructions manual 42 pages product data 27 pages product data 24 pages 1 2 3 4 5 6 7 8 9 10 11 page of 11 bookmarks advertisement

carrier 19dk centrifugal chiller orientation sutd edu - Mar 02 2022

web carrier 19dk centrifugal chiller view and download carrier 19dk product data online pacaged hermetic centrifugal liquid chiller d 1000 series 50 60 hz 19dk chiller pdf manual download also for 19dm home centrifugal chiller course highly regarded by commercial contractors centrifugal chiller the 2012 courses focused exclusively on

**carrier 19dk free pdf manuals download manualslib** - May 16 2023

web carrier aquaedge 19d v series start up operation and maintenance instructions manual 88 pages two stage back to back centrifugal liquid chillers with pic6 controls and hfo r 1233zd e 50 60 hz ground fault troubleshooting brand carrier category chiller size 16 57 mb

**carrier 19dk product data pdf download manualslib** - Jul 18 2023

web view and download carrier 19dk product data online d 1000 series packaged hermetic centrifugal liquid chiller 50 60 hz 150 450 tons 500 1600 kw 19dk chiller pdf manual download

19dv water cooled centrifugal chiller with vfd carrier india - Oct 09 2022

web the 19dv centrifugal chiller with greenspeed intelligence integrates a new generation of innovative technologies including ceramic bearings system equidrive compressor and falling film evaporator with low gwp puretec r

carrier 19dk product data pdf download manualslib - Oct 21 2023

web view and download carrier 19dk product data online 19dk dm series pacaged hermetic centrifugal liquid chiller d 1000 series 50 60 hz 19dk chiller pdf manual download also for 19dm 19dk50123ae 19dk55173ae 19dk61203cc 19dk65254cl 19dk65284cp 19dk71354cn 19dk73354cp

19xr xrv aquaedge single stage centrifugal chiller carrier - Feb 13 2023

web nominal cooling capacity 1 000 5 300 kw the carrier 19xr 19xrv centrifugal chillers provide exceptional value by achieving energy efficiency levels as high as 6 8 copr utilizing proven technology designed specifically for chlorine free refrigerants

aquaedge water cooled centrifugal chiller 19dv carrier - Aug 19 2023

web 350 to 1 150 tons the aquaedge 19dv water cooled centrifugal chiller is the ultimate innovation in heating and cooling technology every building is different type usage layout and climate all have a huge effect on heating and cooling needs and those needs vary during different times of the year

**carrier 19dk operating and maintenance instructions manual** - Jun 17 2023

web view and download carrier 19dk operating and maintenance instructions manual online hermetic centrifugal liquid chillers 19dk chiller pdf manual download

**carrier 19 user manual pdf download manualslib** - Nov 10 2022

web carrier 19 user manual packaged hermetic centrifugal liquid chillers 100 2000 tons 1 2 3 4 5 6 7 8 9 10 11 12 13 14 15 16 17 18 19 20 21 22 23 24 25 26 27 28 29 30 31

**19xr xrv aquaedge centrifugal liquid chiller carrier** - Jul 06 2022

web the carrier 19xr 19xrv centrifugal chillers provide exceptional value by achieving energy efficiency levels as high as 6 8 copr utilizing proven technology designed specifically for chlorine free refrigerants single stage compressor industry leading efficiency with vfd standard or high tier vfd on choice wide application stable

**carrier 19dk manuals manualslib** - Sep 20 2023

web we have 5 carrier 19dk manuals available for free pdf download operating and maintenance instructions manual product data installation instructions manual carrier 19dk product data 27 pages 19dk dm series pacaged hermetic centrifugal liquid chiller d 1000 series 50 60 hz

carrier aquaedge 19mv centrifugal chiller - Apr 15 2023

web the chiller meets gb19577 class i energy efficiency standard advanced carrier smartvu control system description 19mv centrifugal liquid chiller with equidrivetm compressor bearing option magnetic bearing motor size code evaporator size code condenser size code compressor size code voltage code 9 400v 3ph 50hz 3 380v

**carrier 19dk chiller product data guidessimo com** - May 04 2022

web apr 8 2023 □ download carrier 19dk manual total pages 26 for free in pdf find more compatible user manuals for your carrier 19dk chiller device

**19dv aquaedge water cooled centrifugal chiller carrier** - Aug 07 2022

web centrifugal chiller 350 to 1100 tons 1 230 to 3 868 kw the aquaedge 19dv water cooled centrifugal chiller is the ultimate innovation in heating and cooling technology every building is different type usage layout and climate all have a huge effect on heating and cooling needs and those needs vary during different times of the year

**19dv aquaedge centrifugal chiller carrier heating** - Jan 12 2023

web nominal cooling capacity 1 050 3 850 kw designed to perfectly meet the new requirements in terms of energy performance acoustic comfort refrigerant sustainability low maintenance and total cost of ownership the 19dv is the new standard for the medium cooling capacity centrifugal chiller market reliability

**carrier aquaedge 19dv centrifugal chiller** - Dec 11 2022

web compressor code cooling capacity 300 1100ton air conditioning low voltage vfd reliable simple and robust refrigerant lubricated ceramic bearing system without the limitations of conventional oil lubricated chillers customers won t be troubled by oil related failures as well as maintenance cost

**centrifugal disassembly reassembly carrier university** - Apr 03 2022

web this class is intended to be the follow up class to ser 120 centrifugal chiller fundamentals and is designed to teach experienced service mechanics how to properly disassemble both low and high pressure centrifugal compressors including models 19d 19e f and 19xl xr and xrv

*doctor who the many hands amazon com* - Jan 20 2022

web the many hands splits up the doctor and martha fairly early in the story martha wearing her pantaloons is kidnapped and encounters scuttling hands and mr monro 1 and 2

**doctor who the many hands kindle edition amazon in** - Jul 26 2022

web doctor who the many hands ebook smith dale amazon com au books skip to main content com au delivering to sydney 1171 to change sign in or enter a postcode kindle

[doctor who the many hands smith dale amazon nl books](#) - Nov 29 2022

web select the department you want to search in

[the many hands overdrive](#) - Nov 17 2021

**doctor who the many hands by dale smith waterstones** - May 04 2023

web the many hands is a bbc books original novel written by dale smith and based on the long running science fiction television series doctor who it features the tenth doctor

**the many hands overdrive** - Mar 02 2023

web sep 1 2010 it doesn t explain why as they work they whisper about a man called the doctor and about the many hands

of alexander monro featuring the tenth doctor

**doctor who the many hands penguin books uk** - Mar 22 2022

web the many hands splits up the doctor and martha fairly early in the story martha wearing her pantaloons is kidnapped and encounters scuttling hands and mr monro 1 and 2

**doctor who the many hands kindle edition amazon ca** - Sep 27 2022

web the many hands was the twenty fourth novel in the bbc new series adventures series it was written by dale smith and featured the tenth doctor and martha jones edinburgh

*doctor who the many hands english edition by dale smith* - Apr 22 2022

web edinburgh 1759 the nor loch is being filled in if you ask the soldiers there they ll tell you it s a stinking cesspool that the city can do without but that doesn t explain why the

**doctor who the many hands kindle edition amazon co uk** - Jun 05 2023

web aug 9 2018 featuring the tenth doctor and martha as played by david tennant and freema agyeman in the hit doctor who series from bbc television publisher ebury

*doctor who the many hands hardcover 1 may 2008* - Dec 31 2022

web select the department you want to search in

[the many hands wikipedia](#) - Apr 03 2023

web sep 4 2008 the many hands ebook mid the many hands doctor who new series adventures by dale smith read a sample as they work they whisper about a man

*doctor who the many hands audio download dale smith* - Feb 18 2022

web apr 10 2008 doctor who the many hands smith dale on amazon com free shipping on qualifying offers doctor who the many hands

**doctor who the many hands kindle edition amazon com** - Aug 07 2023

web it doesn t explain why as they work they whisper about a man called the doctor and about the many hands of alexander munro featuring the doctor and martha as played by

[doctor who the many hands english edition by dale smith](#) - May 24 2022

web jun 25 2023 the doctor who looked at hands 1966 edition open library doctor who the many hands 9781785944055 books doctor who 1st edition books for sale ebay this

[doctor who the many hands kindle edition amazon com au](#) - Jun 24 2022

web doctor who a guide to all the doctors ign doctor who the many hands by dale smith doctor who the many hands 9781785944055 books doctor who the handbook the

**doctor who the many hands doctor who 48 paperback** - Dec 19 2021

web featuring the doctor and martha as played by david tennant and freema agyeman in the hit series from bbc television the many hands is read by davidroughton who has

[doctor who the many hands penguin books australia](#) - Feb 01 2023

web select the department you want to search in

**the many hands novel tardis fandom** - Aug 27 2022

web select the department you want to search in

**doctor who the many hands penguin books uk** - Jul 06 2023

web the many hands splits up the doctor and martha fairly early in the story martha wearing her pantaloons is kidnapped and encounters scuttling hands and mr monro 1 and 2

**doctor who the many hands by dale smith** - Sep 08 2023

web sep 4 2008 doctor who the many hands kindle edition by smith dale download it once and read it on your kindle device pc phones or tablets use features like

**doctor who the many hands paperback 15 august 2018** - Oct 29 2022

web select the department you want to search in

*editions of doctor who the many hands by dale smith* - Oct 09 2023

web editions for doctor who the many hands 1846074223 hardcover published in 2008 kindle edition audiobook published in 2008 1785944053 paperback

*duel in the sun alberto salazar dick beardsley and america s* - Jul 18 2022

web mar 6 2007 exquisitely written and rich with human drama john brant s duel in the sun brilliantly captures the mythic character of the most thrilling american marathon ever run and the powerful forces of fate that drove these two athletes in the years afterward read more print length 224 pages language english

**duel in the sun by john brant 9781594866289 penguin** - Dec 23 2022

web about duel in the sun the 1982 boston marathon was great theater two american runners alberto salazar a celebrated champion and dick beardsley a gutsy underdog going at each other for just under 2 hours and 9 minutes john brant is the author of duel in the sun alberto salazar dick beardsley and america s greatest marathon he

**duel in the sun alberto salazar dick book by john brant thriftbooks** - Feb 10 2022

web recommended format paperback condition very good 4 99 save 10 96 list price 15 95 1 available quantity add to cart add to wish list book overview this memoir follows the journey of julius behnke a german immigrant who makes his way from east prussia to the united states in the mid 19th century

**duel in the sun alberto salazar dick beardsley and america s** - Mar 26 2023

web duel in the sun alberto salazar dick beardsley and america s greatest marathon by john brant 4 06 rating details 2 112 ratings 143 reviews john brant re creates the tense drama of the 1982 boston marathon and the powerful forces of fate that drove these two athletes in the years afterwards one was a humble farm boy from minnesota

duel in the sun the story of alberto salazar dick beardsley - Apr 14 2022

web mar 6 2007 duel in the sun the story of alberto salazar dick beardsley and america s greatest marathon brant john on amazon com free shipping on qualifying offers duel in the sun the story of alberto salazar dick beardsley and america s greatest marathon

**duel in the sun book wikiwand** - Aug 19 2022

web duel in the sun alberto salazar dick beardsley and america s greatest marathon is a 2006 book by freelance sportswriter john brant

**duel in the sun wikipedia** - Mar 14 2022

web duel in the sun book a book about dick beardsley alberto salazar and the 1982 boston marathon the 1977 open championship in golf which saw an epic duel between tom watson and jack nicklaus this disambiguation page lists articles associated with the title duel in the sun

*duel in the sun alberto salazar dick beardsley and america s* - Sep 19 2022

web mar 6 2007 duel in the sun alberto salazar dick beardsley and america s greatest marathon brant john on amazon com free shipping on qualifying offers duel in the sun alberto salazar dick beardsley and america s greatest marathon

**duel in the sun alberto salazar dick beardsley and a** - Apr 26 2023

web the 1982 boston marathon was great two american runners alberto salazar a celebrated ch duel in the sun alberto salazar dick beardsley and america s greatest marathon by john brant goodreads

**duel in the sun the story of alberto salazar dick beardsley** - Nov 21 2022

web mar 6 2007 duel in the sun the story of alberto salazar dick beardsley and america s john brant google books the 1982 boston marathon was great theater two american runners alberto

**duel in the sun alberto salazar dick beardsley boston** - Jun 16 2022

web duel in the sun alberto salazar dick beardsleyboston marathon 1982 song piccola storia de grande amore zabranjeno pušenje lyrics davor sučić t

*duel in the sun alberto salazar dick beardsley boston* - Jun 28 2023

web aug 30 2021 duel in the sun boston marathon 1982 1 alberto salazar 2 08 51 2 dick beardsley 2 08 53 video wbztv channel 4 boston

**duel in the sun alberto salazar dick beardsley and america s** - Oct 21 2022

web the supporting characters are also richly drawn from alberto s father jose salazar a towering presence with a fascinating history and a former close friend of fidel castro to bill squires beardsley s coach a casey stengel like figure whose oddball goofiness masks an encyclopedic knowledge of distance running

**duel in the sun book wikipedia** - Aug 31 2023

web duel in the sun alberto salazar dick beardsley and america s greatest marathon is a 2006 book by freelance sportswriter john brant expanded from an article 1 featured in runner s world magazine the book tells the story of two american distance runners dick beardsley and alberto salazar and how their lives changed after both men ran the

*duel in the sun alberto salazar dick beardsley and america s* - Jan 24 2023

web duel in the sun alberto salazar dick beardsley and america s greatest marathon john brant rodale 22 95 210pp isbn 978 1 59486 262 5 in 1982 alberto salazar and dick

*duel in the sun alberto salazar dick beardsley and abebooks* - May 16 2022

web about this title about this edition john brant re creates the tense drama of the 1982 boston marathon and the powerful forces of fate that drove these two athletes in the years afterwards one was a humble farm boy from minnesota the other was the most electrifying distance runner of his time

**duel in the sun alberto salazar dick beardsley and america s** - Feb 22 2023

web feb 21 2006 librarything review user review npl librarything the 1982 boston marathon became a duel between two american runners but who would win the celebrated champion alberto salazar or the

*duel in the sun alberto salazar dick beardsley and america s* - May 28 2023

web xiii 210 pages 24 cm an account of the 1982 boston marathon traces the dramatic competition between its top two contenders discussing how salazar s and beardsley s triumphs gave way to their respective battles with depression and painkiller addiction includes index access restricted item

duel in the sun runner s world - Jul 30 2023

web apr 4 2004 dick beardsley who went on to become a fishing guide and motivational speaker near his home in detroit lakes minnesota in december 2003 alberto salazar the director of nike s oregon

duel in the sun alberto salazar dick beardsley and america s - Jan 12 2022

web mar 6 2007 author john brant chronicles the lives of alberto salazar and dick beardsley before and after their epic stride for stride thriller in the 1982 boston marathon it was a struggle between two athletes seemingly racing toward peak years of performing on the international stage