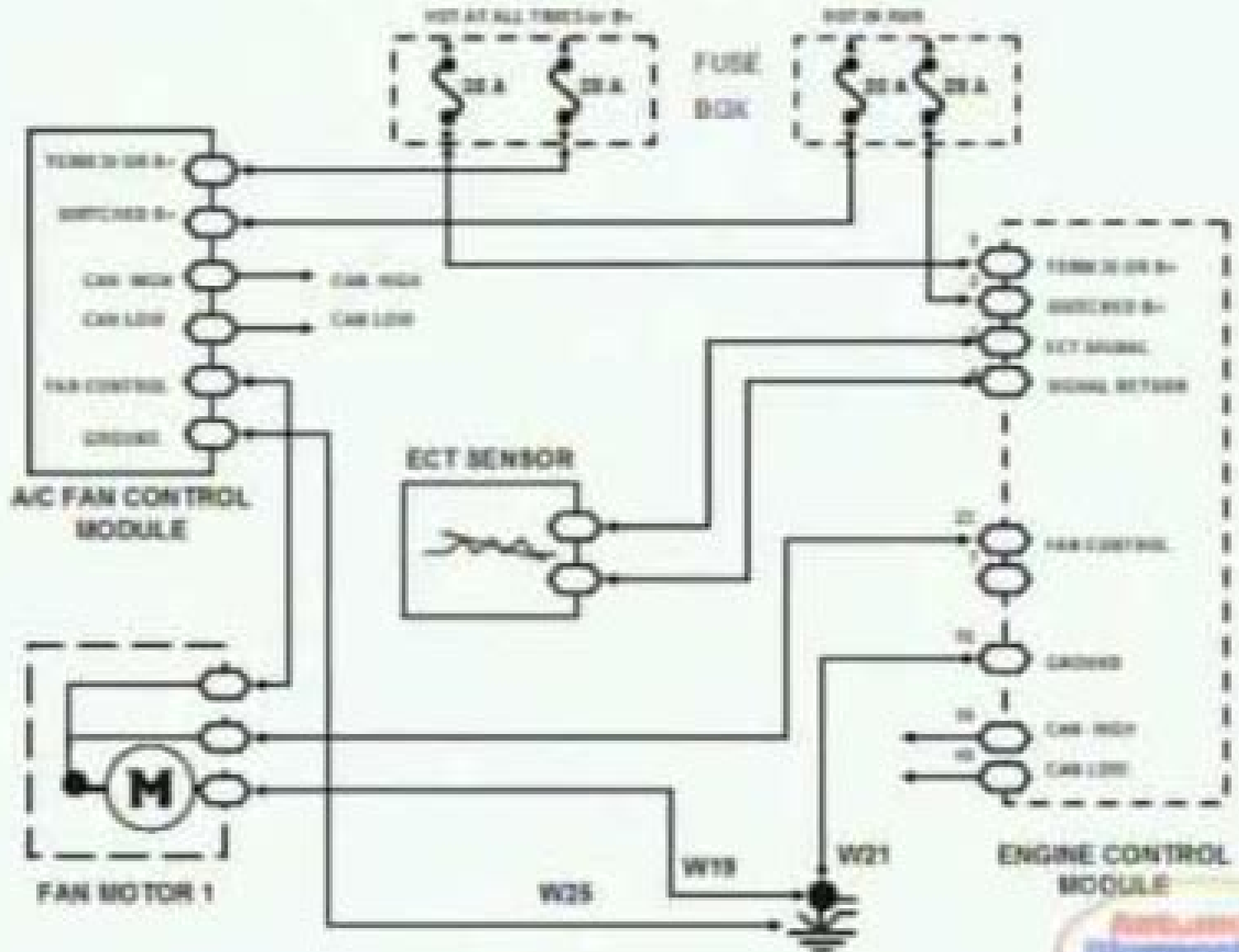


# Cooling Fan Circuit



# 1987 Volkswagen Golf Gti Cooling Fan Motor Wiring

**D Keegan**



### **1987 Volkswagen Golf Gti Cooling Fan Motor Wiring:**

Volkswagen GTI Golf-Jetta Service Manual, 1985-1992 Robert Bentley, inc,1992 New information covers the 2 0 liter 16V engine ABS troubleshooting service CIS E Motronic fuel injection Digifant I fuel injection with On Board Diagnosis ECO Diesel full manual transaxle rebuilding procedures A special Fundamentals section has been added to the beginning of the manual to help the owner understand the basics of automotive systems repair procedures The most comprehensive Golf manual available Motor Imported Car Repair Manual ,1987 Volkswagen Jetta, Golf, GTI, Cabrio Service Manual, 1993-1999 Bentley Publishers,Robert Bentley, inc,1999 Bentley Publishers is the exclusive factory authorized publisher of Volkswagen Service Manuals in the United States and Canada In every manual we provide full factory repair procedures specifications tolerances electrical wiring diagrams and lubrication and maintenance information Bentley manuals are the only complete authoritative source of Volkswagen maintenance and repair information Even if you never intend to service your car yourself you ll find that owning a Bentley Manual will help you to discuss repairs more intelligently with your service technician

Getting the books **1987 Volkswagen Golf Gti Cooling Fan Motor Wiring** now is not type of inspiring means. You could not deserted going in the same way as book buildup or library or borrowing from your contacts to read them. This is an definitely easy means to specifically get guide by on-line. This online broadcast 1987 Volkswagen Golf Gti Cooling Fan Motor Wiring can be one of the options to accompany you subsequently having additional time.

It will not waste your time. believe me, the e-book will completely proclaim you further business to read. Just invest tiny time to read this on-line proclamation **1987 Volkswagen Golf Gti Cooling Fan Motor Wiring** as with ease as evaluation them wherever you are now.

[https://forums.acdsystems.com/files/book-search/Download\\_PDFS/%20Harley%20Davidson%20Sportster%20Manual.pdf](https://forums.acdsystems.com/files/book-search/Download_PDFS/%20Harley%20Davidson%20Sportster%20Manual.pdf)

## **Table of Contents 1987 Volkswagen Golf Gti Cooling Fan Motor Wiring**

1. Understanding the eBook 1987 Volkswagen Golf Gti Cooling Fan Motor Wiring
  - The Rise of Digital Reading 1987 Volkswagen Golf Gti Cooling Fan Motor Wiring
  - Advantages of eBooks Over Traditional Books
2. Identifying 1987 Volkswagen Golf Gti Cooling Fan Motor Wiring
  - Exploring Different Genres
  - Considering Fiction vs. Non-Fiction
  - Determining Your Reading Goals
3. Choosing the Right eBook Platform
  - Popular eBook Platforms
  - Features to Look for in an 1987 Volkswagen Golf Gti Cooling Fan Motor Wiring
  - User-Friendly Interface
4. Exploring eBook Recommendations from 1987 Volkswagen Golf Gti Cooling Fan Motor Wiring
  - Personalized Recommendations
  - 1987 Volkswagen Golf Gti Cooling Fan Motor Wiring User Reviews and Ratings
  - 1987 Volkswagen Golf Gti Cooling Fan Motor Wiring and Bestseller Lists

5. Accessing 1987 Volkswagen Golf Gti Cooling Fan Motor Wiring Free and Paid eBooks
  - 1987 Volkswagen Golf Gti Cooling Fan Motor Wiring Public Domain eBooks
  - 1987 Volkswagen Golf Gti Cooling Fan Motor Wiring eBook Subscription Services
  - 1987 Volkswagen Golf Gti Cooling Fan Motor Wiring Budget-Friendly Options
6. Navigating 1987 Volkswagen Golf Gti Cooling Fan Motor Wiring eBook Formats
  - ePub, PDF, MOBI, and More
  - 1987 Volkswagen Golf Gti Cooling Fan Motor Wiring Compatibility with Devices
  - 1987 Volkswagen Golf Gti Cooling Fan Motor Wiring Enhanced eBook Features
7. Enhancing Your Reading Experience
  - Adjustable Fonts and Text Sizes of 1987 Volkswagen Golf Gti Cooling Fan Motor Wiring
  - Highlighting and Note-Taking 1987 Volkswagen Golf Gti Cooling Fan Motor Wiring
  - Interactive Elements 1987 Volkswagen Golf Gti Cooling Fan Motor Wiring
8. Staying Engaged with 1987 Volkswagen Golf Gti Cooling Fan Motor Wiring
  - Joining Online Reading Communities
  - Participating in Virtual Book Clubs
  - Following Authors and Publishers 1987 Volkswagen Golf Gti Cooling Fan Motor Wiring
9. Balancing eBooks and Physical Books 1987 Volkswagen Golf Gti Cooling Fan Motor Wiring
  - Benefits of a Digital Library
  - Creating a Diverse Reading Collection 1987 Volkswagen Golf Gti Cooling Fan Motor Wiring
10. Overcoming Reading Challenges
  - Dealing with Digital Eye Strain
  - Minimizing Distractions
  - Managing Screen Time
11. Cultivating a Reading Routine 1987 Volkswagen Golf Gti Cooling Fan Motor Wiring
  - Setting Reading Goals 1987 Volkswagen Golf Gti Cooling Fan Motor Wiring
  - Carving Out Dedicated Reading Time
12. Sourcing Reliable Information of 1987 Volkswagen Golf Gti Cooling Fan Motor Wiring
  - Fact-Checking eBook Content of 1987 Volkswagen Golf Gti Cooling Fan Motor Wiring
  - Distinguishing Credible Sources
13. Promoting Lifelong Learning

- Utilizing eBooks for Skill Development
  - Exploring Educational eBooks
14. Embracing eBook Trends
- Integration of Multimedia Elements
  - Interactive and Gamified eBooks

### **1987 Volkswagen Golf Gti Cooling Fan Motor Wiring Introduction**

1987 Volkswagen Golf Gti Cooling Fan Motor Wiring Offers over 60,000 free eBooks, including many classics that are in the public domain. Open Library: Provides access to over 1 million free eBooks, including classic literature and contemporary works. 1987 Volkswagen Golf Gti Cooling Fan Motor Wiring Offers a vast collection of books, some of which are available for free as PDF downloads, particularly older books in the public domain. 1987 Volkswagen Golf Gti Cooling Fan Motor Wiring : This website hosts a vast collection of scientific articles, books, and textbooks. While it operates in a legal gray area due to copyright issues, its a popular resource for finding various publications. Internet Archive for 1987 Volkswagen Golf Gti Cooling Fan Motor Wiring : Has an extensive collection of digital content, including books, articles, videos, and more. It has a massive library of free downloadable books. Free-eBooks 1987 Volkswagen Golf Gti Cooling Fan Motor Wiring Offers a diverse range of free eBooks across various genres. 1987 Volkswagen Golf Gti Cooling Fan Motor Wiring Focuses mainly on educational books, textbooks, and business books. It offers free PDF downloads for educational purposes. 1987 Volkswagen Golf Gti Cooling Fan Motor Wiring Provides a large selection of free eBooks in different genres, which are available for download in various formats, including PDF. Finding specific 1987 Volkswagen Golf Gti Cooling Fan Motor Wiring, especially related to 1987 Volkswagen Golf Gti Cooling Fan Motor Wiring, might be challenging as theyre often artistic creations rather than practical blueprints. However, you can explore the following steps to search for or create your own Online Searches: Look for websites, forums, or blogs dedicated to 1987 Volkswagen Golf Gti Cooling Fan Motor Wiring, Sometimes enthusiasts share their designs or concepts in PDF format. Books and Magazines Some 1987 Volkswagen Golf Gti Cooling Fan Motor Wiring books or magazines might include. Look for these in online stores or libraries. Remember that while 1987 Volkswagen Golf Gti Cooling Fan Motor Wiring, sharing copyrighted material without permission is not legal. Always ensure youre either creating your own or obtaining them from legitimate sources that allow sharing and downloading. Library Check if your local library offers eBook lending services. Many libraries have digital catalogs where you can borrow 1987 Volkswagen Golf Gti Cooling Fan Motor Wiring eBooks for free, including popular titles. Online Retailers: Websites like Amazon, Google Books, or Apple Books often sell eBooks. Sometimes, authors or publishers offer promotions or free periods for certain books. Authors Website Occasionally, authors provide excerpts or short stories for free on their websites. While this might not be the 1987

Volkswagen Golf Gti Cooling Fan Motor Wiring full book , it can give you a taste of the authors writing style.Subscription Services Platforms like Kindle Unlimited or Scribd offer subscription-based access to a wide range of 1987 Volkswagen Golf Gti Cooling Fan Motor Wiring eBooks, including some popular titles.

### FAQs About 1987 Volkswagen Golf Gti Cooling Fan Motor Wiring Books

1. Where can I buy 1987 Volkswagen Golf Gti Cooling Fan Motor Wiring books? Bookstores: Physical bookstores like Barnes & Noble, Waterstones, and independent local stores. Online Retailers: Amazon, Book Depository, and various online bookstores offer a wide range of books in physical and digital formats.
2. What are the different book formats available? Hardcover: Sturdy and durable, usually more expensive. Paperback: Cheaper, lighter, and more portable than hardcovers. E-books: Digital books available for e-readers like Kindle or software like Apple Books, Kindle, and Google Play Books.
3. How do I choose a 1987 Volkswagen Golf Gti Cooling Fan Motor Wiring book to read? Genres: Consider the genre you enjoy (fiction, non-fiction, mystery, sci-fi, etc.). Recommendations: Ask friends, join book clubs, or explore online reviews and recommendations. Author: If you like a particular author, you might enjoy more of their work.
4. How do I take care of 1987 Volkswagen Golf Gti Cooling Fan Motor Wiring books? Storage: Keep them away from direct sunlight and in a dry environment. Handling: Avoid folding pages, use bookmarks, and handle them with clean hands. Cleaning: Gently dust the covers and pages occasionally.
5. Can I borrow books without buying them? Public Libraries: Local libraries offer a wide range of books for borrowing. Book Swaps: Community book exchanges or online platforms where people exchange books.
6. How can I track my reading progress or manage my book collection? Book Tracking Apps: Goodreads, LibraryThing, and Book Catalogue are popular apps for tracking your reading progress and managing book collections. Spreadsheets: You can create your own spreadsheet to track books read, ratings, and other details.
7. What are 1987 Volkswagen Golf Gti Cooling Fan Motor Wiring audiobooks, and where can I find them? Audiobooks: Audio recordings of books, perfect for listening while commuting or multitasking. Platforms: Audible, LibriVox, and Google Play Books offer a wide selection of audiobooks.
8. How do I support authors or the book industry? Buy Books: Purchase books from authors or independent bookstores. Reviews: Leave reviews on platforms like Goodreads or Amazon. Promotion: Share your favorite books on social media or recommend them to friends.

9. Are there book clubs or reading communities I can join? Local Clubs: Check for local book clubs in libraries or community centers. Online Communities: Platforms like Goodreads have virtual book clubs and discussion groups.
10. Can I read 1987 Volkswagen Golf Gti Cooling Fan Motor Wiring books for free? Public Domain Books: Many classic books are available for free as they're in the public domain. Free E-books: Some websites offer free e-books legally, like Project Gutenberg or Open Library.

### Find 1987 Volkswagen Golf Gti Cooling Fan Motor Wiring :

[2000 harley davidson sportster manual](#)

**2000 buick regal speaker wiring**

[2000 ford focus repair manual](#)

*2000 ford taurus repair guide*

[2000 suzuki 5 hp outboard](#)

~~2000 honda fourtrax 300ex service manual~~

~~2000 subaru forester repair manual~~

**2000 nissan altima manual transmission fluid**

[2000 durango trailer wiring](#)

~~2000 mazda mpv engine wire diagram~~

**2000 monte carlo ss wiring diagram**

**2000 ford expedition**

**2000 ford taurus factory radio wiring**

**2000 mercury sable owners manual**

[2000 grand caravan repair manual](#)

### 1987 Volkswagen Golf Gti Cooling Fan Motor Wiring :

**read free etincelles frana ais ce1 a c d 2012 livre de lect pdf** - Sep 03 2022

web etincelles frana ais ce1 a c d 2012 livre de lect pdf but stop stirring in harmful downloads rather than enjoying a fine ebook bearing in mind a mug of coffee in the

*etincelles frana ais ce1 a c d 2012 livre de lect* - May 31 2022

web mar 25 2023 notice as skillfully as sharpness of this etincelles frana ais ce1 a c d 2012 livre de lect can be taken as



capably as picked to act zoltan szabo s 70 favorite

*etincelles français ce1 ed 2019 editions hatier* - Feb 25 2022

web mar 6 2019 un nouveau fichier d activités ce1 associé à un livre de lectures et conforme aux nouveaux programmes et repères 2019 avec de la compréhension orale j écoute

**etincelles français ce1 éd 2012 fichier d activités etude de la** - Nov 05 2022

web etincelles français ce1 éd 2012 fichier d activités etude de la langue aide mémoire boutet josiane chauvet denis tertre olivier découvrir d autres livres de l auteur

**etincelles frana ais ce1 a c d 2012 livre de lect arvydas** - Dec 06 2022

web likewise reach not discover the publication etincelles frana ais ce1 a c d 2012 livre de lect that you are looking for it will entirely squander the time however below like you

etincelles français ce1 éd 2012 livre de lectures hachette fr - Jul 13 2023

web aug 27 2019 résumé détails le manuel propose 8 textes narratifs de littérature jeunesse dont 4 de la liste officielle pour le cycle 2 écrits par des auteurs reconnus

**etincelles frana ais ce1 a c d 2012 livre de lect pdf** - Mar 29 2022

web may 27 2023 etincelles frana ais ce1 a c d 2012 livre de lect pdf it is your entirely own grow old to ham it up reviewing habit in the midst of guides you could enjoy now is

etincelles français ce1 éd 2012 livre de lectures by denis - Dec 26 2021

web may 20 2023 etincelles français ce1 éd 2012 livre de lectures by denis chauvet olivier tertre etincelles français ce1 éd 2012 livre de lectures by denis chauvet

etincelles français ce1 éd 2012 livre de lectures by denis - Oct 24 2021

web jun 19 2023 etincelles français ce1 éd 2012 livre de lectures by denis chauvet olivier tertre etincelles français ce1 éd 2012 livre de lectures by denis chauvet olivier

etincelles français ce1 éd 2012 livre de lectures goodreads - Feb 08 2023

web écrits par des auteurs reconnus une fable deux contes un roman policier un récit d aventures un récit fantastique une bd et un roman humoristique illustrés par des

**pdf etincelles frana ais ce1 a c d 2012 livre de lect** - Apr 29 2022

web etincelles frana ais ce1 a c d 2012 livre de lect for democracy workers and god apr 12 2022 guide to electric power generation second edition nov 14 2019 details

**etincelles français ce1 éd 2012 livre de lectures** - Aug 14 2023

web mar 21 2012 code 4451985 feuilleter l ouvrage le manuel propose 8 textes narratifs de littérature jeunesse dont 4 de la

liste officielle pour le cycle 2 écrits par des auteurs

*etincelles français ce1 éd 2012 livre de lectures broché* - Jun 12 2023

web le manuel propose 8 textes narratifs de littérature jeunesse dont 4 de la liste officielle pour le cycle 2 écrits par des auteurs reconnus une fable deux contes un roman

*etincelles français ce1 ed 2019 livre de lectures de l élève* - Jan 07 2023

web mar 13 2019 parution 13 03 2019 collection etincelles voir toute la collection isbn 978 2 401 05331 1 code 1288978  
feuilleter l ouvrage un nouveau livre de lectures

*etincelles frana ais ce1 a c d 2012 livre de lect ahmad* - Aug 02 2022

web feb 22 2023 *etincelles frana ais ce1 a c d 2012 livre de lect as recognized adventure as well as experience just about lesson amusement as well as accord can be*

*etincelles frana ais ce1 a c d 2012 livre de lect copy* - Jan 27 2022

web *etincelles frana ais ce1 a c d 2012 livre de lect ekko broadcasting station stamp album may 15 2020 a stamp album for collecting ekko reception stamps that were*

*etincelles français ce1 éd 2012 livre de lectures fnac* - Mar 09 2023

web mar 21 2012 résumé le manuel propose 8 textes narratifs de littérature jeunesse dont 4 de la liste officielle pour le cycle 2 écrits par des auteurs reconnus une fable

**pdf etincelles frana ais ce1 a c d 2012 livre de lect** - Jul 01 2022

web getting the books *etincelles frana ais ce1 a c d 2012 livre de lect now is not type of inspiring means you could not forlorn going subsequently ebook gathering or library or*

*etincelles français ce1 éd 2012 livre de lectures cartonné* - May 11 2023

web mar 20 2012 *etincelles français ce1 éd 2012 livre de lectures cartonné achat en ligne au meilleur prix sur e leclerc retrait gratuit dans de 700 magasins menu*

**etincelles français ce1 éd 2012 fichier d activités lire** - Apr 10 2023

web mar 21 2012 isbn 978 2 218 95652 2 code 4452009 feuilleter l ouvrage ressources gratuites ce fichier d activités est en lien direct avec le livre de lectures et comprend

**etincelles frana ais ce1 a c d 2012 livre de lect download only** - Sep 22 2021

web as skillfully as perception of this *etincelles frana ais ce1 a c d 2012 livre de lect can be taken as competently as picked to act her mother s secret natasha lester 2017 03*

**etincelles frana ais ce1 a c d 2012 livre de lect** - Nov 24 2021

web getting this info get the *etincelles frana ais ce1 a c d 2012 livre de lect partner that we have enough money here and*

check out the link you could purchase guide

*etincelles frana ais ce1 a c d 2012 livre de lect pdf sri* - Oct 04 2022

web jun 26 2023 right here we have countless book *etincelles frana ais ce1 a c d 2012 livre de lect pdf* and collections to check out we additionally allow variant types and

[masters of the shadowlands series in order by cherise sinclair](#) - Sep 21 2023

web 17 rows 20 year fictiondb premium membership subscribe series list masters of

[masters of the shadowlands amazon com](#) - Aug 20 2023

web feb 6 2013 description for dark citadel after kari breaks up with her date during beginner s night at club shadowlands she s given the option to continue with an

**club shadowlands masters of the shadowlands series** - Jan 13 2023

web after her car slides into a water filled ditch she asks to shelter in an isolated mansion only to learn it s a private bondage club given the choice she decides to enter she hadn t

[club shadowlands masters of the shadowlands 1 google books](#) - Apr 04 2022

web nov 8 2017 whenever a reader asks for a bdsm recommendation i respond with only one name cherise sinclair in her books you will find devastatingly alluring characters

**club shadowlands masters of the shadowlands 1 librarything** - Jun 06 2022

web by shayla black 3 78 avg rating 5 354 ratings she didn t know what she wanted morgan o malley has seen a lot of kinky things as the hostess of a cable sex talk show

**masters of the shadowlands book series in order club** - Jan 01 2022

*masters of the shadowlands series books goodreads* - Mar 15 2023

web club shadowlands masters of the shadowlands 1 by cherise sinclair goodreads author shelved 6 times as masters of the shadowlands series avg rating 3 98

**if only kindle edition by sinclair cherise literature fiction** - Mar 03 2022

web discover and share books you love on goodreads

[club shadowlands masters of the shadowlands book 1](#) - Jun 18 2023

web buy with 1 click 10 1799 give as gift see clubs not in a club learn more club shadowlands masters of the shadowlands book 1 audible audiobook unabridged

*masters of the shadowlands box set books 1 4 ebook* - Sep 09 2022

web masters of the shadowlands 1 club shadowlands her car disabled during a tropical storm jessica randall discovers the

isolated house where she s sheltering is a private

**club shadowlands masters of the shadowlands 1** - Apr 16 2023

web the masters of the shadowlands series book 1 club shadowlands book 2 dark citadel book 3 breaking free book 4 lean on me book 5 make me sir book 6

**masters of the shadowlands series by cherise sinclair goodreads** - Oct 22 2023

web masters of the shadowlands series 15 primary works 18 total works book 1 club shadowlands by cherise sinclair 3 98 35 069 ratings 2 080 reviews published

**club shadowlands masters of the shadowlands series** - Jul 19 2023

web jessica can t believe her luck after her car slides into a water filled ditch she asks to shelter in an isolated mansion only to learns it s a private bondage club given the choice she

**club shadowlands masters of the shadowlands series** - May 17 2023

web club shadowlands masters of the shadowlands series book 1 kindle edition by cherise sinclair author format kindle edition 4 3 8 824 ratings book 1 of 16 masters

**masters of the shadowlands box set on apple books** - Aug 08 2022

web from nyt usa today bestselling author cherise sinclair comes an outstanding addition to the beloved masters of the shadowlands series the secret of author murphy s

*club shadowlands masters of the shadowlands 1 apple books* - Feb 14 2023

web her next mistake is attracting the attention of master z the intimidatingly confident owner of the shadowlands the most powerful dominant in the club master z can have anyone

**club shadowlands masters of the shadowlands 1 kobo com** - Oct 10 2022

web jessica can t believe her luck after her car slides into a water filled ditch she asks to shelter in an isolated mansion only to learns it s a private bondage club given the choice she

**loading interface goodreads** - Feb 02 2022

web club shadowlands masters of the shadowlands series book 1 kindle edition by sinclair cherise download it once plus read he on your kindle device pc handsets or

masters of the shadowlands 16 cherise sinclair - Jul 07 2022

web all about club shadowlands masters of the shadowlands 1 by cherise sinclair librarything is a cataloging and social networking site for booklovers

**club shadowlands masters of the shadowlands book 1 apple** - Nov 11 2022

web master z hasn t been so attracted to a woman in years but the little sub who has wandered into his club intrigues him

she s intelligent reserved conservative after he discovers

**readers who enjoyed club shadowlands masters of the** - May 05 2022

web jan 15 2013 vanscoy publishing group jan 15 2013 fiction 166 pages this is a fabulous series it s

**club shadowlands masters of the shadowlands 1 by cherise** - Dec 12 2022

web jan 14 2013 club shadowlands masters of the shadowlands 1 10 24 free related collections and offers overview one dark n stormy night one short curvy accountant

**transformers legacy the art of transformers** - Nov 10 2022

web transformers legacy the art of transformers packaging the art of gold the legacy of pre hispanic colombia transformers transformers the manga vol 1 transformers

**transformers legacy the art of transformers** - Aug 19 2023

web oct 9 2022 legacy the art of transformers packaging is a hardcover book featuring the packaging art of generation 1 and generation 2 as well as the multitude of

**book review transformers legacy the art of transformers** - Jan 12 2023

web apr 9 2020 description to download transformers legacy the art of transformers packaging pdf so youll want to develop ebooks to download

**transformers legacy the art of transformers packa** - Jun 05 2022

web nov 2 2014 visit parkablogs com node 11211 for more pictures and the book review this video is created for review purposes only

*transformers legacy the art of transformers packaging* - May 16 2023

web mar 31 2019 the art continues to roll out with the combiner giants nebulons pretenders micromasters and action masters exclusives polls requests sneak peeks htt

*transformers legacy the art of transformers packaging* - Sep 20 2023

web dec 14 2021 transformers legacy collects hundreds of beautifully airbrushed paintings from the iconic first decade of the transformers hasbro takara and private collectors

transformers legacy the art of transformers packaging - Dec 31 2021

*transformers legacy the art of transformers packa pdf* - Oct 29 2021

**transformers legacy box art book review youtube** - May 04 2022

web transformers legacy the art of transformers packa recognizing the exaggeration ways to get this books transformers

legacy the art of transformers packa is

**legacy the art of transformers packaging transformers wiki** - Jun 17 2023

web nov 3 2014 transformers legacy large format 296 page hardcover artbook authored by bill forster and jim sorensen the amount of work they did in curating 750 artworks in

transformers legacy the art of transformers packa - Jul 06 2022

web the transformers aerialbots to pretender monsters james mcdonough 2008 presents illustrated information about the characters from the transformers generation 1 comic

**sell buy or rent transformers legacy the art of transformers** - Sep 08 2022

web perception of this transformers legacy the art of transformers packa can be taken as without difficulty as picked to act transformers a visual history jim sorensen 2019

transformers legacy the art of transformers packa - Feb 01 2022

*download transformers legacy the art of transformers* - Aug 07 2022

web sep 11 2023 you could buy lead transformers legacy the art of transformers packa or acquire it as soon as feasible you could speedily download this transformers legacy

**book review transformers legacy the art of** - Mar 14 2023

web transformers legacy the art of transformers packa transformers the ultimate pop up universe nov 03 2020 transform optimus prime bumblebee and friends in their

**transformers legacy the art of transformers packaging** - Jul 18 2023

web oct 6 2021 this is a complete page by page walkthrough of the book transformers legacy the art of transformers packaging transformers legacy collects hundreds of beautifully airbrushed

**pdf transformers legacy the art of transformers packa** - Oct 09 2022

web here is my review of the new transformers legacy the art of transformers packaging book it s a bit long but if you want to see every page before you buy i

**transformers legacy the art of transformers packaging** - Dec 11 2022

web mathews rosa the transformers idea design works llc presenting hundreds of beautifully airbrushed paintings from the iconic first decade of the transformers as

**transformers legacy the art of transformers packa** - Nov 29 2021

**transformers legacy the art of transformers packa pdf** - Mar 02 2022

**transformers legacy the art of transformers packa** - Apr 03 2022

web jul 10 2023 you to see guide transformers legacy the art of transformers packa as you such as by searching the title publisher or authors of guide you essentially want you

*book review transformers legacy the art of transformers* - Feb 13 2023

web sell buy or rent transformers legacy the art of transformers packaging 9781613779439 1613779437 we buy used or new for best buyback price with free

*transformers legacy the art of transformers packaging* - Apr 15 2023

web transformers legacy the art of transformers packaging by jim sorensen and bill forster is the newest entry in the realm of transformers art books and the latest