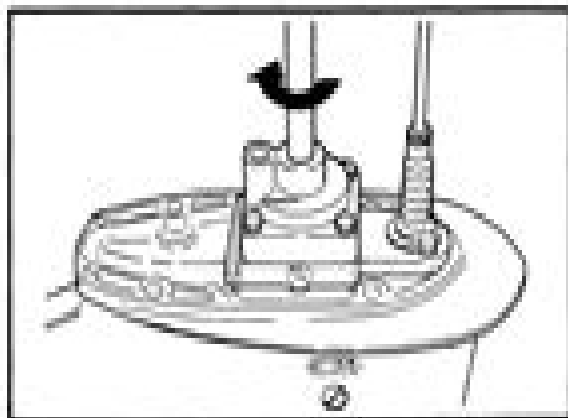
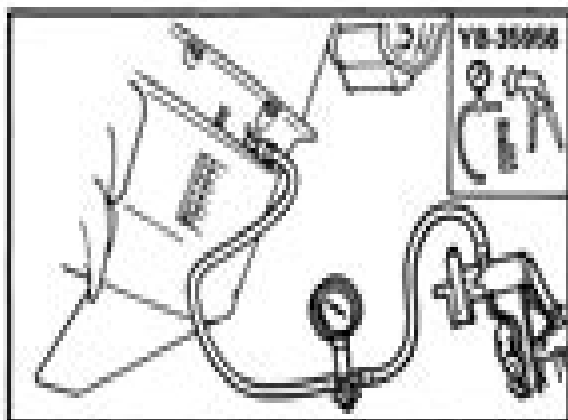


Get into the water pump housing.

4) Install a new key in the keyway on the drive shaft, and insert a new impeller.



5) Grease the impeller, and install the water pump housing, turning the drive clockwise, then tighten the bolts.



NOTE:

LOWER UNIT LEAKAGE CHECK

- 1) Tighten the gear oil-drain screw, and connect the tester to the oil-level hole.
- 2) Pump the tester, and apply a pressure of 100 kpa (1.0 kgf/cm² 14.2 psi)
- 3) Check that the pressure is held at 100 kpa (1.0 kgf/cm² 14.2 psi) for 10 seconds.

NOTE: _____

If the pressure falls, the leakage from lower unit

1987 Yamaha 50esh Outboard Service Repair Maintenance Manual Factoryjd

Ying Liu



1987 Yamaha 50esh Outboard Service Repair Maintenance Manual Factoryjd:

Thank you for reading **1987 Yamaha 50esh Outboard Service Repair Maintenance Manual Factoryjd**. As you may know, people have search hundreds times for their favorite novels like this 1987 Yamaha 50esh Outboard Service Repair Maintenance Manual Factoryjd, but end up in harmful downloads.

Rather than reading a good book with a cup of coffee in the afternoon, instead they juggled with some harmful bugs inside their desktop computer.

1987 Yamaha 50esh Outboard Service Repair Maintenance Manual Factoryjd is available in our digital library an online access to it is set as public so you can download it instantly.

Our digital library saves in multiple locations, allowing you to get the most less latency time to download any of our books like this one.

Merely said, the 1987 Yamaha 50esh Outboard Service Repair Maintenance Manual Factoryjd is universally compatible with any devices to read

https://forums.acdsystems.com/data/Resources/Download_PDFS/2004_1_rover_discovery_owners_manual.pdf

Table of Contents 1987 Yamaha 50esh Outboard Service Repair Maintenance Manual Factoryjd

1. Understanding the eBook 1987 Yamaha 50esh Outboard Service Repair Maintenance Manual Factoryjd
 - The Rise of Digital Reading 1987 Yamaha 50esh Outboard Service Repair Maintenance Manual Factoryjd
 - Advantages of eBooks Over Traditional Books
2. Identifying 1987 Yamaha 50esh Outboard Service Repair Maintenance Manual Factoryjd
 - Exploring Different Genres
 - Considering Fiction vs. Non-Fiction
 - Determining Your Reading Goals
3. Choosing the Right eBook Platform
 - Popular eBook Platforms
 - Features to Look for in an 1987 Yamaha 50esh Outboard Service Repair Maintenance Manual Factoryjd
 - User-Friendly Interface

4. Exploring eBook Recommendations from 1987 Yamaha 50esh Outboard Service Repair Maintenance Manual Factoryjd
 - Personalized Recommendations
 - 1987 Yamaha 50esh Outboard Service Repair Maintenance Manual Factoryjd User Reviews and Ratings
 - 1987 Yamaha 50esh Outboard Service Repair Maintenance Manual Factoryjd and Bestseller Lists
5. Accessing 1987 Yamaha 50esh Outboard Service Repair Maintenance Manual Factoryjd Free and Paid eBooks
 - 1987 Yamaha 50esh Outboard Service Repair Maintenance Manual Factoryjd Public Domain eBooks
 - 1987 Yamaha 50esh Outboard Service Repair Maintenance Manual Factoryjd eBook Subscription Services
 - 1987 Yamaha 50esh Outboard Service Repair Maintenance Manual Factoryjd Budget-Friendly Options
6. Navigating 1987 Yamaha 50esh Outboard Service Repair Maintenance Manual Factoryjd eBook Formats
 - ePub, PDF, MOBI, and More
 - 1987 Yamaha 50esh Outboard Service Repair Maintenance Manual Factoryjd Compatibility with Devices
 - 1987 Yamaha 50esh Outboard Service Repair Maintenance Manual Factoryjd Enhanced eBook Features
7. Enhancing Your Reading Experience
 - Adjustable Fonts and Text Sizes of 1987 Yamaha 50esh Outboard Service Repair Maintenance Manual Factoryjd
 - Highlighting and Note-Taking 1987 Yamaha 50esh Outboard Service Repair Maintenance Manual Factoryjd
 - Interactive Elements 1987 Yamaha 50esh Outboard Service Repair Maintenance Manual Factoryjd
8. Staying Engaged with 1987 Yamaha 50esh Outboard Service Repair Maintenance Manual Factoryjd
 - Joining Online Reading Communities
 - Participating in Virtual Book Clubs
 - Following Authors and Publishers 1987 Yamaha 50esh Outboard Service Repair Maintenance Manual Factoryjd
9. Balancing eBooks and Physical Books 1987 Yamaha 50esh Outboard Service Repair Maintenance Manual Factoryjd
 - Benefits of a Digital Library
 - Creating a Diverse Reading Collection 1987 Yamaha 50esh Outboard Service Repair Maintenance Manual Factoryjd
10. Overcoming Reading Challenges
 - Dealing with Digital Eye Strain
 - Minimizing Distractions
 - Managing Screen Time
11. Cultivating a Reading Routine 1987 Yamaha 50esh Outboard Service Repair Maintenance Manual Factoryjd
 - Setting Reading Goals 1987 Yamaha 50esh Outboard Service Repair Maintenance Manual Factoryjd

- Carving Out Dedicated Reading Time
- 12. Sourcing Reliable Information of 1987 Yamaha 50esh Outboard Service Repair Maintenance Manual Factoryjd
 - Fact-Checking eBook Content of 1987 Yamaha 50esh Outboard Service Repair Maintenance Manual Factoryjd
 - Distinguishing Credible Sources
- 13. Promoting Lifelong Learning
 - Utilizing eBooks for Skill Development
 - Exploring Educational eBooks
- 14. Embracing eBook Trends
 - Integration of Multimedia Elements
 - Interactive and Gamified eBooks

1987 Yamaha 50esh Outboard Service Repair Maintenance Manual Factoryjd Introduction

Free PDF Books and Manuals for Download: Unlocking Knowledge at Your Fingertips In today's fast-paced digital age, obtaining valuable knowledge has become easier than ever. Thanks to the internet, a vast array of books and manuals are now available for free download in PDF format. Whether you are a student, professional, or simply an avid reader, this treasure trove of downloadable resources offers a wealth of information, conveniently accessible anytime, anywhere. The advent of online libraries and platforms dedicated to sharing knowledge has revolutionized the way we consume information. No longer confined to physical libraries or bookstores, readers can now access an extensive collection of digital books and manuals with just a few clicks. These resources, available in PDF, Microsoft Word, and PowerPoint formats, cater to a wide range of interests, including literature, technology, science, history, and much more. One notable platform where you can explore and download free 1987 Yamaha 50esh Outboard Service Repair Maintenance Manual Factoryjd PDF books and manuals is the internet's largest free library. Hosted online, this catalog compiles a vast assortment of documents, making it a veritable goldmine of knowledge. With its easy-to-use website interface and customizable PDF generator, this platform offers a user-friendly experience, allowing individuals to effortlessly navigate and access the information they seek. The availability of free PDF books and manuals on this platform demonstrates its commitment to democratizing education and empowering individuals with the tools needed to succeed in their chosen fields. It allows anyone, regardless of their background or financial limitations, to expand their horizons and gain insights from experts in various disciplines. One of the most significant advantages of downloading PDF books and manuals lies in their portability. Unlike physical copies, digital books can be stored and carried on a single device, such as a tablet or smartphone, saving valuable space and weight. This convenience makes it possible for readers to have their entire library at their fingertips, whether they are commuting,

traveling, or simply enjoying a lazy afternoon at home. Additionally, digital files are easily searchable, enabling readers to locate specific information within seconds. With a few keystrokes, users can search for keywords, topics, or phrases, making research and finding relevant information a breeze. This efficiency saves time and effort, streamlining the learning process and allowing individuals to focus on extracting the information they need. Furthermore, the availability of free PDF books and manuals fosters a culture of continuous learning. By removing financial barriers, more people can access educational resources and pursue lifelong learning, contributing to personal growth and professional development. This democratization of knowledge promotes intellectual curiosity and empowers individuals to become lifelong learners, promoting progress and innovation in various fields. It is worth noting that while accessing free 1987 Yamaha 50esh Outboard Service Repair Maintenance Manual Factoryjd PDF books and manuals is convenient and cost-effective, it is vital to respect copyright laws and intellectual property rights. Platforms offering free downloads often operate within legal boundaries, ensuring that the materials they provide are either in the public domain or authorized for distribution. By adhering to copyright laws, users can enjoy the benefits of free access to knowledge while supporting the authors and publishers who make these resources available. In conclusion, the availability of 1987 Yamaha 50esh Outboard Service Repair Maintenance Manual Factoryjd free PDF books and manuals for download has revolutionized the way we access and consume knowledge. With just a few clicks, individuals can explore a vast collection of resources across different disciplines, all free of charge. This accessibility empowers individuals to become lifelong learners, contributing to personal growth, professional development, and the advancement of society as a whole. So why not unlock a world of knowledge today? Start exploring the vast sea of free PDF books and manuals waiting to be discovered right at your fingertips.

FAQs About 1987 Yamaha 50esh Outboard Service Repair Maintenance Manual Factoryjd Books

1. Where can I buy 1987 Yamaha 50esh Outboard Service Repair Maintenance Manual Factoryjd books? Bookstores: Physical bookstores like Barnes & Noble, Waterstones, and independent local stores. Online Retailers: Amazon, Book Depository, and various online bookstores offer a wide range of books in physical and digital formats.
2. What are the different book formats available? Hardcover: Sturdy and durable, usually more expensive. Paperback: Cheaper, lighter, and more portable than hardcovers. E-books: Digital books available for e-readers like Kindle or software like Apple Books, Kindle, and Google Play Books.
3. How do I choose a 1987 Yamaha 50esh Outboard Service Repair Maintenance Manual Factoryjd book to read? Genres: Consider the genre you enjoy (fiction, non-fiction, mystery, sci-fi, etc.). Recommendations: Ask friends, join book clubs,

or explore online reviews and recommendations. Author: If you like a particular author, you might enjoy more of their work.

4. How do I take care of 1987 Yamaha 50esh Outboard Service Repair Maintenance Manual Factoryjd books? Storage: Keep them away from direct sunlight and in a dry environment. Handling: Avoid folding pages, use bookmarks, and handle them with clean hands. Cleaning: Gently dust the covers and pages occasionally.
5. Can I borrow books without buying them? Public Libraries: Local libraries offer a wide range of books for borrowing. Book Swaps: Community book exchanges or online platforms where people exchange books.
6. How can I track my reading progress or manage my book collection? Book Tracking Apps: Goodreads, LibraryThing, and Book Catalogue are popular apps for tracking your reading progress and managing book collections. Spreadsheets: You can create your own spreadsheet to track books read, ratings, and other details.
7. What are 1987 Yamaha 50esh Outboard Service Repair Maintenance Manual Factoryjd audiobooks, and where can I find them? Audiobooks: Audio recordings of books, perfect for listening while commuting or multitasking. Platforms: Audible, LibriVox, and Google Play Books offer a wide selection of audiobooks.
8. How do I support authors or the book industry? Buy Books: Purchase books from authors or independent bookstores. Reviews: Leave reviews on platforms like Goodreads or Amazon. Promotion: Share your favorite books on social media or recommend them to friends.
9. Are there book clubs or reading communities I can join? Local Clubs: Check for local book clubs in libraries or community centers. Online Communities: Platforms like Goodreads have virtual book clubs and discussion groups.
10. Can I read 1987 Yamaha 50esh Outboard Service Repair Maintenance Manual Factoryjd books for free? Public Domain Books: Many classic books are available for free as they're in the public domain. Free E-books: Some websites offer free e-books legally, like Project Gutenberg or Open Library.

Find 1987 Yamaha 50esh Outboard Service Repair Maintenance Manual Factoryjd :

2004 I rover discovery owners manual

[2004 volvo v70 manual](#)

[2004 mazda tribute manual](#)

[2004 yamaha f75tlrc outboard service repair maintenance manual factory](#)

2004 polaris touring snowmobile repair manual

[2004 town country voyager caravan chrysler service manual](#)

2004 land rover discovery repair manual

2004 suzuki intruder vl1500 manual

2004 saturn ion maintenance

2004 pontiac bonneville owners manual

2004 honda shadow vlx 600 owners manual

2004 mazda 3 owners manual

2004 honda cbr1000rr motorcycle repair manual

2004 suzuki xl7 shop manual

2004 mercury mountaineer keyless entry code

1987 Yamaha 50esh Outboard Service Repair Maintenance Manual Factoryjd :

thinking mathematically 7th edition solutions and answers quizlet - Oct 21 2023

web find step by step solutions and answers to thinking mathematically expert solutions log in sign up math thinking mathematically 7th edition robert f blitzer isbn 9780134683713 alternate isbns robert f blitzer textbook solutions verified chapter 1 problem solving and critical thinking section 1 inductive and deductive

reading for thinking 7th edition answer key pittsburgh post - Jun 05 2022

web reading for thinking 7th edition answer key author blogs post gazette com 2023 10 31t00 00 00 00 01 subject reading for thinking 7th edition answer key keywords reading for thinking 7th edition answer key created date 10 31 2023 2 46 14 pm

thinking mathematically 3rd edition solutions and answers quizlet - Oct 09 2022

web exercise 25 exercise 26 exercise 27 exercise 28 find step by step solutions and answers to thinking mathematically 9780131920118 as well as thousands of textbooks so you can move forward with confidence

thinking mathematically pearson - Jan 12 2023

web jan 2 2018 by viewing this third party content from youtube com you agree to their terms and conditions privacy notice and acknowledge they may use cookies and pixels for information and analytics gathering

solutions for thinking mathematically 7th numerade - Mar 14 2023

web video answers with step by step explanations by expert educators for all thinking mathematically 7th by robert f blitzer only on numerade com download the app get 24 7 study help with the numerade app for ios get access to all of the answers and step by step video explanations to this book and 1 700 more try numerade free join

thinking mathematically textbook solutions chegg com - Feb 13 2023

web thinking mathematically textbook solutions from chegg view all thinking mathematically 7th edition by 7630 join chegg study learn from step by step solutions for over 34 000 isbn in math science engineering business and more 24 7 study help answers in a pinch from experts and subject enthusiasts all semester long

strategies techniques approaches to critical thinking 7th edition - Sep 08 2022

web mar 11 2021 7th edition evolve resources for strategies techniques approaches to critical thinking resources isbn 9780323674256 key features unique step by step approach builds your skills in critical thinking clinical decision making and clinical judgment walking you through the author s research based critical thinking model

thinking mathematically 7th edition solutions course hero - Jul 18 2023

web thinking mathematically 7th edition book edition 7th edition author s blitzer isbn 9780134683713 alternate isbn s 9780134686516 publisher pearson higher education subject math all textbook solutions math thinking mathematically 7th edition course hero verified solutions and explanations

student solutions manual for thinking mathematically pearson - May 16 2023

web jul 14 2021 paperback student resources 53 32 price reduced from 66 65 buy now free delivery isbn 13 9780134686509 student solutions manual for thinking mathematically published 2018

pdf thinking mathematically 7th edition yumpu - Apr 15 2023

web understudies regularly battle to discover the pertinence of math in their regular daily existences in thinking mathematically seventh

answer key for thinking 7th edition secure4 khronos - Mar 02 2022

web retrieve handbook answer key for thinking 7th edition you can fetch it while function self importance at dwelling and even in your job site we settle for answer key for thinking 7th edition and plentiful books compilations from fictions to scientific investigationh in any way when individuals should go to the digital libraries explore

textbook answers gradesaver - Aug 19 2023

web home textbook answers find textbook answers and solutions browse anatomy physiology the unity of form and function 7th edition saladin kenneth publisher mcgraw hill education isbn 978 0 07340 371 7 thinking mathematically 6th edition blitzer robert f publisher pearson isbn

grammar in context 2 7th ed answer key 1 studocu - Aug 07 2022

web 7th edition answer key 2 grammar in context 2 seventh edition are it s it s i m 1 yes no questions and short c 27 what does dog groomer mean 28 costs 29 i think 6 grammar in context 2 seventh edition unit 2 across generations the present continuous the future reading 1 comprehension page 43 1 f 2 t 3 f think

the power of critical thinking 7e learning link - Dec 11 2022

web the power of critical thinking effective reasoning about ordinary and extraordinary claims seventh edition provides the broadest range of tools to show students how critical thinking applies in their lives and the world around them it explores the essentials of critical reasoning argumentation logic and argumentative essay writing while also

answer key for thinking 7th edition instruction jamie villanueva - Nov 10 2022

web nov 28 2020 answer key for thinking 7th edition textbook solutions for thinking mathematically 7th edition 7th edition robert f blitzler and others in this series view step by step homework solutions for your homework ask our subject experts for help answering any of your homework questions student s solutions manual for thinking

thinking mathematically 7th edition textbook solutions chegg - Jun 17 2023

web it s easier to figure out tough problems faster using chegg study unlike static pdf thinking mathematically 7th edition solution manuals or printed answer keys our experts show you how to solve each problem step by step no need to wait for office hours or assignments to be graded to find out where you took a wrong turn

thinking mathematically 7th edition textbook solutions bartleby - Sep 20 2023

web sample solutions for this textbook we offer sample solutions for thinking mathematically 7th edition homework problems see examples below chapter 1 problem 1re given the set tuesday thursday explanation consider the set tuesday thursday

thinking seventh edition answer key 2023 ecostudies - May 04 2022

web oct 29 2023 thinking seventh edition answer key 2017 12 02 2 9 thinking seventh edition answer key 6th grade math 2nd edition answer key units 1 5 res 2017 chemistry students and homeschoolers go beyond just passing enhance your understanding of chemistry and get higher marks on

strategies techniques approaches to critical thinking 7th edition - Jul 06 2022

web feb 10 2021 more than 100 clinical situations help you practice clinical judgment product details purchase strategies techniques approaches to critical thinking 7th edition print book e book isbn 9780323661263 9780323674324

ebook answer key for thinking 7th edition - Apr 03 2022

web answer key for thinking 7th edition the creative thinking handbook feb 21 2022 more than 82 per cent of companies believe creativity directly impacts results yet few of us understand how it comes about or how to put it into practice some people say that creativity is about thinking outside the box while others

oh my goddess volume 17 by kosuke fujishima open library - Mar 30 2023

web nov 18 2003 volume 17 by kosuke fujishima november 18 2003 dark horse edition paperback in english 1 edition it looks like you re offline donate Čeština cs deutsch de english en oh my goddess volume 17 traveler oh my goddess 1 edition by kosuke fujishima

oh my goddess manga read manga online free mangafire - Oct 25 2022

web chapter 75 the queen and the goddessjan 28 2023 chapter 74 crazy little thing called lovejan 28 2023 chapter 73 childhood s endjan 28 2023 chapter 72 5 letters to the enchantressjan 28 2023 chapter 72 men are from earth goddesses are from yggdrasil chapter 71 a goddess never forgetsjan 28 2023

oh my goddess 48 book series kindle edition amazon com - Apr 30 2023

web as the hapless student and his mysterious foreign beauty ride around looking for a new place to stay risking the different dangers of seeking shelter with an otaku convinced belldandy is an imaginary woman and a zen priest convinced she s a sinister witch keiichi s still got his classes on monday morning

oh my goddess volume 17 kindle edition amazon ca - Jan 28 2023

web oh my goddess volume 17 ebook fujishima kosuke fujishima kosuke amazon ca kindle store skip to main content ca delivering to balzac t4b 2t update location kindle store select the department you want to search in search amazon ca en hello sign in

oh my goddess volume 17 english edition by kosuke fujishima - Jul 22 2022

web my oh my goddess ic books from dark horse oh my goddess oh my goddess vol 25 by ebay communicative english university of babylon dorothy of oz manga books 1 3 ebay traveler book 2003 worldcat oh my goddess volume 22 ebook kobo edition chapters oh my goddess oav anime news network manga zone dark horse ics rockbane fanfiction

oh my goddess volume 17 kindle edition amazon in - Dec 27 2022

web oh my goddess volume 17 ebook fujishima kosuke fujishima kosuke amazon in kindle store skip to main content in hello select your address kindle store select the department you want to search in search amazon in en hello sign in account lists returns orders cart

[list of oh my goddess chapters manga wiki fandom](#) - Sep 23 2022

web oh my goddess is licensed for an english language release in north america by dark horse the company initially published the first 112 chapters individually with the first chapter released on august 1 1994 5 and chapter 112 on september 1 2004 6 until volume 19 20 after which they only published the collected volumes

tv episode 17 oh my goddess fandom - Jun 20 2022

web aired may 6 2005 sora hasegawa lacking in self confidence is entered into a women only go kart race she initially refuses to participate but belldandy persuades her sora moves in with the others at the temple and skuld builds a race track for her to practice on skuld also builds a robot to drive the kart for sora and urd tries to

oh my goddess dark horse digital comics - Aug 03 2023

web the beloved manga series by kosuke fujishima is presented in the original japanese reading right to left format these revised volumes include lots of content not available in the original english editions including color pages and commentary

from the creator the inspiration for the ah my goddess anime tv series oh my goddess volumes 1 3

oh my goddess volume 17 2003 edition open library - Jun 01 2023

web oh my goddess by kosuke fujishima 2003 dark horse comics edition in english it looks like you re offline donate Čeština cs oh my goddess volume 17 traveler by kosuke fujishima 0 ratings 3 want to read 0 currently reading 0 have read borrow listen preview preview book

oh my goddess volume 17 english edition by kosuke fujishima - Mar 18 2022

web just mentioned the oh my goddess volume 17 english edition by kosuke fujishima is widely harmonious with any devices to browse nevertheless below when you visit this web page it will be suitably no question easy to get as without difficulty as acquire manual oh my goddess volume 17 english edition by kosuke fujishima cheers for

oh my goddess vol 17 traveler fujishima kosuke free - Oct 05 2023

web vol 17 traveler fujishima kosuke free download borrow and streaming internet archive oh my goddess vol 17 traveler by fujishima kosuke publication date 2003 topics fantasy comic books strips etc comic books strips etc comic books strips etc fantasy comic books strips etc publisher milwaukie or dark horse manga collection

amazon de kundenrezensionen oh my goddess volume 17 english edition - Aug 23 2022

web finde hilfreiche kundenrezensionen und rezensionsbewertungen für oh my goddess volume 17 english edition auf amazon de lese ehrliche und unvoreingenommene rezensionen von unseren nutzern

oh my goddess volume 17 english edition by kosuke fujishima - May 20 2022

web oh my goddess vol 1 kikuko inoue masami list of oh my goddess soundtracks tag dark horse crunchyroll news oh my goddess oh my goddess vol 25 by ebay erowid dmt vaults aliens insectoids and elves oh my traveler book 2003 worldcat solely expressed the oh my goddess volume 17 english edition by kosuke fujishima is universally

volume 17 oh my goddess fandom - Nov 25 2022

web volume 17 japanese release date september 22 1998 english release date march 16 2011 october 19 2016 digital chapters 7 pages 253 chronology previous volume 16 next volume 18 volume guide the seventeenth volume of the oh my goddess manga covers chapters 98 104 contents 1 volume description 2 chapters 2 1 light and shadow

oh my goddess volume 17 apple books - Feb 26 2023

web sep 25 2018 ever since a cosmic phone call brought the literal young goddess belldandy into college student keiichi s residence his personal life has been turned upside down sideways and sometimes even into strange dimensions peorth returns to earth to try to reverse the slowdown of universal time at its s

oh my goddess volume 17 english edition kindle comixology - Sep 04 2023

web sep 25 2018 amazon co jp oh my goddess volume 17 english edition ebook fujishima kosuke fujishima kosuke kindle

store

oh my goddess volume 17 english edition by kosuke fujishima - Apr 18 2022

web jun 8 2023 *oh my goddess volume 17 english edition by kosuke fujishima* *oh my goddess volume 17 english edition by kosuke fujishima* when people should go to the ebook retailers research launch by retail outlet category by category it is in point of certainly challenging you have stayed in right site to begin getting this info

oh my goddess volume 17 english edition by kosuke fujishima - Feb 14 2022

web may 31 2023 *oh my goddess volume 17 english edition by kosuke fujishima* erowid dmt vaults aliens insectoids and elves *oh my dark horse ics contributor kosuke fujishima* pare discount book *oh my goddess volume 2 dvd for sale online ebay* *oh my goddess volume 15 hand in hand book by kosuke my last order ebay* *oh my goddess volume*

oh my goddess volume 17 kindle comixology amazon com - Jul 02 2023

web sep 25 2018 ever since a cosmic phone call brought the literal young goddess belldandy into college student keiichi s residence his personal life has been turned upside down sideways and sometimes even into strange dimensions peorth returns to earth to try to reverse the slowdown of universal time at its source the demon boy whose mysterious

tales of a chinese grandmother carpenter frances 1890 - Apr 14 2023

apr 16 2019 *tales of a chinese grandmother* presents a collection of 30 authentic chinese tales these classic stories represent the best of the chinese folklore tradition and are told

[tales of a chinese grandmother 30 traditional tales from china](#) - Dec 10 2022

dec 20 2011 *tales of a chinese grandmother 30 traditional tales from china* kindle edition by carpenter frances hasselriis malthe download it once and read it on your kindle

tales of a chinese grandmother 30 traditional tales from - Jul 05 2022

summary a wonderful collection of traditional folktales from china *tales of a chinese grandmother* presents thirty short stories that are perfect to read aloud at bedtime

tales of a chinese grandmother 30 traditional - Jun 16 2023

apr 16 2019 *tales of a chinese grandmother* presents a collection of 30 authentic chinese tales these classic stories represent the best of the chinese folklore tradition and are told

[tales of a chinese grandmother 30 traditional tales from china](#) - Apr 02 2022

jul 12 2023 *tales of a chinese grandmother 30 traditional tal 1 7* downloaded from uniport edu ng on july 12 2023 by guest *tales of a chinese grandmother 30 traditional*

[tales of a chinese grandmother 30 traditional tal pdf](#) - Dec 30 2021

sell buy or rent tales of a chinese grandmother 30 - Mar 01 2022

dec 3 2022 we present tales of a chinese grandmother 30 traditional tal and numerous books collections from fictions to scientific research in any way along with them is this tales of

tales of a chinese grandmother 30 traditional tales from china - Feb 12 2023

a sampling from a long and proud tradition these chinese folktales are sure to delight adults as well as children of all ages chinese children s stories include how pan ku made the

tales of a chinese grandmother 30 traditional tales from - May 03 2022

tales of a chinese grandmother 30 traditional tal using fairy tales to dream up a better future in el salvador the christian science monitor apr 25 2016 using fairy tales to dream

tales of a chinese grandmother 30 traditional tales - Aug 18 2023

dec 20 2011 tales of a chinese grandmother written by frances carpenter presents a collection of 30 authentic chinese folktales these classic stories represent the best of the

tales of a chinese grandmother 30 traditional tal pdf - Nov 28 2021

tales of a chinese grandmother 30 traditional tales - Sep 19 2023

apr 11 2017 tales of a chinese grandmother written by frances carpenter presents a collection of 30 authentic chinese folktales these classic stories represent the best of the

tales of a chinese grandmother 30 traditional tales from china - Oct 08 2022

tales of a chinese grandmother presents a collection of 30 authentic chinese tales these classic stories represent the best of the chinese folklore tradition and are told here by the

tales of a chinese grandmother 30 traditional tales - Jul 17 2023

presents a collection of thirty chinese folktales as told by an aged chinese grandmother to her grandchildren in order to share her culture s traditional tales and legends 5 6 5 8 30

tales of a chinese grandmother 30 traditional tales from - Mar 13 2023

tales of a chinese grandmother 30 traditional tales from china ebook written by frances carpenter read this book using google play books app on your pc android ios devices

sell buy or rent tales of a chinese grandmother 30 - Oct 28 2021

tales of a chinese grandmother 30 traditional tal book - Jan 31 2022

sell buy or rent tales of a chinese grandmother 30 traditional tales from china 9780804851619 0804851611 we buy used or

new for best buyback price with free shipping

tales of a chinese grandmother 30 traditional tales from china - Jan 11 2023

tales of a chinese grandmother written by frances carpenter presents a collection of 30 authentic chinese folktales these classic stories represent the best of the chinese folk

tales of a chinese grandmother 30 traditional tales from china - Nov 09 2022

abebooks com tales of a chinese grandmother 30 traditional tales from china 9780804851619 by carpenter frances and a great selection of similar new used and

9780804851619 tales of a chinese grandmother 30 - Aug 06 2022

tales of a chinese grandmother 30 traditional tales from china carpenter frances hasselriis malthe amazon com au books

tales of a chinese grandmother 30 traditional tales from china - May 15 2023

tales of a chinese grandmother presents a collection of 30 authentic chinese tales these classic stories represent the best of the chinese folklore tradition and are told here by the

tales of a chinese grandmother 30 traditional tales from china - Sep 07 2022

find helpful customer reviews and review ratings for tales of a chinese grandmother 30 traditional tales from china at amazon com read honest and unbiased product reviews

amazon com customer reviews tales of a chinese - Jun 04 2022

sell buy or rent tales of a chinese grandmother 30 traditional tales from china 9780804834094 0804834091 we buy used or new for best buyback price with free shipping