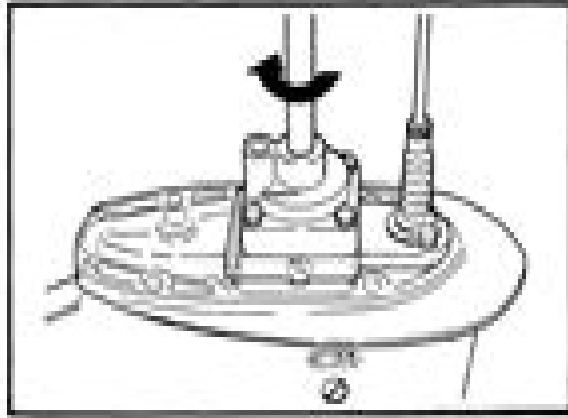
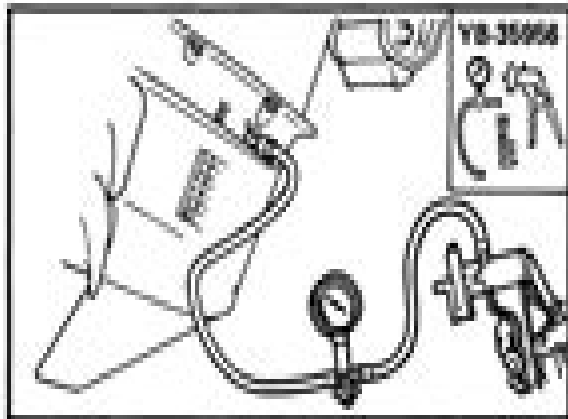


Get into the water housing.

4) Install a new key in the keyway on the drive shaft, and insert a new impeller.



5) Grease the impeller, and install the water-pump housing, turning the drive clockwise, then tighten the bolts.



NOTE:

**LOWER UNIT LEAKAGE CHECK**

- 1) Tighten the gear oil-drain screw, and connect the tester to the oil-level hole.
- 2) Pump the tester, and apply a pressure of 100 kpa (1.0 kgf/cm<sup>2</sup> 14.2 psi)
- 3) Check that the pressure is held at 100 kpa (1.0 kgf/cm<sup>2</sup> 14.2 psi) for 10 seconds.

**NOTE:** \_\_\_\_\_

If the pressure falls, the leakage from lower unit

# 1987 Yamaha 115eth Outboard Service Repair Maintenance Manual Factoryjd

**R Sandford**



**1987 Yamaha 115etlh Outboard Service Repair Maintenance Manual Factoryjd:**

## Decoding **1987 Yamaha 115etlh Outboard Service Repair Maintenance Manual Factoryjd**: Revealing the Captivating Potential of Verbal Expression

In a time characterized by interconnectedness and an insatiable thirst for knowledge, the captivating potential of verbal expression has emerged as a formidable force. Its ability to evoke sentiments, stimulate introspection, and incite profound transformations is genuinely awe-inspiring. Within the pages of "**1987 Yamaha 115etlh Outboard Service Repair Maintenance Manual Factoryjd**," a mesmerizing literary creation penned by way of a celebrated wordsmith, readers attempt an enlightening odyssey, unraveling the intricate significance of language and its enduring affect our lives. In this appraisal, we shall explore the book is central themes, evaluate its distinctive writing style, and gauge its pervasive influence on the hearts and minds of its readership.

[https://forums.acdsystems.com/public/book-search/Download\\_PDFS/chrysler%20sebring%20consumer%20report.pdf](https://forums.acdsystems.com/public/book-search/Download_PDFS/chrysler%20sebring%20consumer%20report.pdf)

### **Table of Contents 1987 Yamaha 115etlh Outboard Service Repair Maintenance Manual Factoryjd**

1. Understanding the eBook 1987 Yamaha 115etlh Outboard Service Repair Maintenance Manual Factoryjd
  - The Rise of Digital Reading 1987 Yamaha 115etlh Outboard Service Repair Maintenance Manual Factoryjd
  - Advantages of eBooks Over Traditional Books
2. Identifying 1987 Yamaha 115etlh Outboard Service Repair Maintenance Manual Factoryjd
  - Exploring Different Genres
  - Considering Fiction vs. Non-Fiction
  - Determining Your Reading Goals
3. Choosing the Right eBook Platform
  - Popular eBook Platforms
  - Features to Look for in an 1987 Yamaha 115etlh Outboard Service Repair Maintenance Manual Factoryjd
  - User-Friendly Interface
4. Exploring eBook Recommendations from 1987 Yamaha 115etlh Outboard Service Repair Maintenance Manual Factoryjd

- Personalized Recommendations
  - 1987 Yamaha 115etlh Outboard Service Repair Maintenance Manual Factoryjd User Reviews and Ratings
  - 1987 Yamaha 115etlh Outboard Service Repair Maintenance Manual Factoryjd and Bestseller Lists
5. Accessing 1987 Yamaha 115etlh Outboard Service Repair Maintenance Manual Factoryjd Free and Paid eBooks
- 1987 Yamaha 115etlh Outboard Service Repair Maintenance Manual Factoryjd Public Domain eBooks
  - 1987 Yamaha 115etlh Outboard Service Repair Maintenance Manual Factoryjd eBook Subscription Services
  - 1987 Yamaha 115etlh Outboard Service Repair Maintenance Manual Factoryjd Budget-Friendly Options
6. Navigating 1987 Yamaha 115etlh Outboard Service Repair Maintenance Manual Factoryjd eBook Formats
- ePub, PDF, MOBI, and More
  - 1987 Yamaha 115etlh Outboard Service Repair Maintenance Manual Factoryjd Compatibility with Devices
  - 1987 Yamaha 115etlh Outboard Service Repair Maintenance Manual Factoryjd Enhanced eBook Features
7. Enhancing Your Reading Experience
- Adjustable Fonts and Text Sizes of 1987 Yamaha 115etlh Outboard Service Repair Maintenance Manual Factoryjd
  - Highlighting and Note-Taking 1987 Yamaha 115etlh Outboard Service Repair Maintenance Manual Factoryjd
  - Interactive Elements 1987 Yamaha 115etlh Outboard Service Repair Maintenance Manual Factoryjd
8. Staying Engaged with 1987 Yamaha 115etlh Outboard Service Repair Maintenance Manual Factoryjd
- Joining Online Reading Communities
  - Participating in Virtual Book Clubs
  - Following Authors and Publishers 1987 Yamaha 115etlh Outboard Service Repair Maintenance Manual Factoryjd
9. Balancing eBooks and Physical Books 1987 Yamaha 115etlh Outboard Service Repair Maintenance Manual Factoryjd
- Benefits of a Digital Library
  - Creating a Diverse Reading Collection 1987 Yamaha 115etlh Outboard Service Repair Maintenance Manual Factoryjd
10. Overcoming Reading Challenges
- Dealing with Digital Eye Strain
  - Minimizing Distractions
  - Managing Screen Time
11. Cultivating a Reading Routine 1987 Yamaha 115etlh Outboard Service Repair Maintenance Manual Factoryjd
- Setting Reading Goals 1987 Yamaha 115etlh Outboard Service Repair Maintenance Manual Factoryjd

- Carving Out Dedicated Reading Time
- 12. Sourcing Reliable Information of 1987 Yamaha 115etlh Outboard Service Repair Maintenance Manual Factoryjd
  - Fact-Checking eBook Content of 1987 Yamaha 115etlh Outboard Service Repair Maintenance Manual Factoryjd
  - Distinguishing Credible Sources
- 13. Promoting Lifelong Learning
  - Utilizing eBooks for Skill Development
  - Exploring Educational eBooks
- 14. Embracing eBook Trends
  - Integration of Multimedia Elements
  - Interactive and Gamified eBooks

### **1987 Yamaha 115etlh Outboard Service Repair Maintenance Manual Factoryjd Introduction**

In this digital age, the convenience of accessing information at our fingertips has become a necessity. Whether its research papers, eBooks, or user manuals, PDF files have become the preferred format for sharing and reading documents. However, the cost associated with purchasing PDF files can sometimes be a barrier for many individuals and organizations. Thankfully, there are numerous websites and platforms that allow users to download free PDF files legally. In this article, we will explore some of the best platforms to download free PDFs. One of the most popular platforms to download free PDF files is Project Gutenberg. This online library offers over 60,000 free eBooks that are in the public domain. From classic literature to historical documents, Project Gutenberg provides a wide range of PDF files that can be downloaded and enjoyed on various devices. The website is user-friendly and allows users to search for specific titles or browse through different categories. Another reliable platform for downloading 1987 Yamaha 115etlh Outboard Service Repair Maintenance Manual Factoryjd free PDF files is Open Library. With its vast collection of over 1 million eBooks, Open Library has something for every reader. The website offers a seamless experience by providing options to borrow or download PDF files. Users simply need to create a free account to access this treasure trove of knowledge. Open Library also allows users to contribute by uploading and sharing their own PDF files, making it a collaborative platform for book enthusiasts. For those interested in academic resources, there are websites dedicated to providing free PDFs of research papers and scientific articles. One such website is Academia.edu, which allows researchers and scholars to share their work with a global audience. Users can download PDF files of research papers, theses, and dissertations covering a wide range of subjects. Academia.edu also provides a platform for discussions and networking within the academic community. When it comes to downloading 1987 Yamaha 115etlh Outboard Service Repair Maintenance Manual Factoryjd free PDF files of magazines, brochures, and catalogs, Issuu is a

popular choice. This digital publishing platform hosts a vast collection of publications from around the world. Users can search for specific titles or explore various categories and genres. Issuu offers a seamless reading experience with its user-friendly interface and allows users to download PDF files for offline reading. Apart from dedicated platforms, search engines also play a crucial role in finding free PDF files. Google, for instance, has an advanced search feature that allows users to filter results by file type. By specifying the file type as "PDF," users can find websites that offer free PDF downloads on a specific topic. While downloading 1987 Yamaha 115etlh Outboard Service Repair Maintenance Manual Factoryjd free PDF files is convenient, it's important to note that copyright laws must be respected. Always ensure that the PDF files you download are legally available for free. Many authors and publishers voluntarily provide free PDF versions of their work, but it's essential to be cautious and verify the authenticity of the source before downloading 1987 Yamaha 115etlh Outboard Service Repair Maintenance Manual Factoryjd. In conclusion, the internet offers numerous platforms and websites that allow users to download free PDF files legally. Whether it's classic literature, research papers, or magazines, there is something for everyone. The platforms mentioned in this article, such as Project Gutenberg, Open Library, Academia.edu, and Issuu, provide access to a vast collection of PDF files. However, users should always be cautious and verify the legality of the source before downloading 1987 Yamaha 115etlh Outboard Service Repair Maintenance Manual Factoryjd any PDF files. With these platforms, the world of PDF downloads is just a click away.

### **FAQs About 1987 Yamaha 115etlh Outboard Service Repair Maintenance Manual Factoryjd Books**

**What is a 1987 Yamaha 115etlh Outboard Service Repair Maintenance Manual Factoryjd PDF?** A PDF (Portable Document Format) is a file format developed by Adobe that preserves the layout and formatting of a document, regardless of the software, hardware, or operating system used to view or print it. **How do I create a 1987 Yamaha 115etlh Outboard Service Repair Maintenance Manual Factoryjd PDF?** There are several ways to create a PDF: Use software like Adobe Acrobat, Microsoft Word, or Google Docs, which often have built-in PDF creation tools. Print to PDF: Many applications and operating systems have a "Print to PDF" option that allows you to save a document as a PDF file instead of printing it on paper. Online converters: There are various online tools that can convert different file types to PDF. **How do I edit a 1987 Yamaha 115etlh Outboard Service Repair Maintenance Manual Factoryjd PDF?** Editing a PDF can be done with software like Adobe Acrobat, which allows direct editing of text, images, and other elements within the PDF. Some free tools, like PDFescape or Smallpdf, also offer basic editing capabilities. **How do I convert a 1987 Yamaha 115etlh Outboard Service Repair Maintenance Manual Factoryjd PDF to another file format?** There are multiple ways to convert a PDF to another format: Use online converters like Smallpdf, Zamzar, or Adobe Acrobat's export feature to convert PDFs to formats

like Word, Excel, JPEG, etc. Software like Adobe Acrobat, Microsoft Word, or other PDF editors may have options to export or save PDFs in different formats. **How do I password-protect a 1987 Yamaha 115etlh Outboard Service Repair Maintenance Manual Factoryjd PDF?** Most PDF editing software allows you to add password protection. In Adobe Acrobat, for instance, you can go to "File" -> "Properties" -> "Security" to set a password to restrict access or editing capabilities. Are there any free alternatives to Adobe Acrobat for working with PDFs? Yes, there are many free alternatives for working with PDFs, such as: LibreOffice: Offers PDF editing features. PDFsam: Allows splitting, merging, and editing PDFs. Foxit Reader: Provides basic PDF viewing and editing capabilities. How do I compress a PDF file? You can use online tools like Smallpdf, ILovePDF, or desktop software like Adobe Acrobat to compress PDF files without significant quality loss. Compression reduces the file size, making it easier to share and download. Can I fill out forms in a PDF file? Yes, most PDF viewers/editors like Adobe Acrobat, Preview (on Mac), or various online tools allow you to fill out forms in PDF files by selecting text fields and entering information. Are there any restrictions when working with PDFs? Some PDFs might have restrictions set by their creator, such as password protection, editing restrictions, or print restrictions. Breaking these restrictions might require specific software or tools, which may or may not be legal depending on the circumstances and local laws.

**Find 1987 Yamaha 115etlh Outboard Service Repair Maintenance Manual Factoryjd :**

[20chrysler sebring consumer report](#)

[20jeep liberty kj owners manual](#)

[20ford 5automotive repair manual](#)

**20chevrolet suburban 15paper repair manual**

[20ford explorer repair manuel](#)

[20honda trx90 specs](#)

[20bombardier 650 quest xt repair manual](#)

**20chevy tahoe fuse box diagram**

[20jeep grand cherokee limited specifications](#)

[20audi aservice manual](#)

**20harley davidson breakout service manual**

**20ford taurus manual**

[20ford taurus 3 engine diagram](#)

**20honda crv repair manual**



*20hyundai sonata service schedule*

**1987 Yamaha 115etlh Outboard Service Repair Maintenance Manual Factoryjd :**

*shin ohtake s 5 day lean body kick start day 1 max - Jun 13 2023*

web his world famous fitness program max workouts has transformed and reshaped the bodies of thousands of people in over 150 countries without requiring hours in the gym

max workouts hiit workouts that get you lean - Aug 15 2023

web shin ohtake s world famous 90 day ultimate lean body program combines strength training circuit training and interval training to get you insane results in less than 30 minutes per workout

max workouts review examining shin ohtake s exercise - Jan 28 2022

max workouts review is shin ohtakes workout program good - Apr 30 2022

web jun 14 2023 shin ohtake max workouts shin ohtake max workouts it will undoubtedly lose the time we compensate for shin ohtake max workouts and plentiful books

**shin ohtake max workouts secure4 khronos - Dec 27 2021**

*max workouts my opinion youtube - Mar 30 2022*

web share your videos with friends family and the world

max workout by shin ohtake strength workout bod lifestyle - Feb 26 2022

*what is shin ohtake s max workouts miosuperhealth - Nov 06 2022*

web jun 24 2023 max workouts by shin ohtake is a popular fitness program that promises to help you achieve your fitness goals in just 90 days the program combines high intensity

**max workouts by shin ohtake how medical health authority - Jul 02 2022**

web aug 10 2022 max workout is an exercise program created by shin ohtake the program is designed to help people achieve their fitness goals in a short period of time

*review of shin ohtake s max workouts program - Apr 11 2023*

web jun 14 2018 you can look at the max workouts half hour workout program as a mix of efficient fat loss training and health boosting training to be more specific shin ohtake s

max workouts by shin ohtake high intensity workout routines - May 12 2023

web his world famous fitness program max workouts has transformed and reshaped the bodies of thousands of people in over 100 countries without requiring hours in the gym

[max workouts shin ohtake s high intensity workout](#) - Oct 05 2022

web jun 12 2014 at the end of the day you are going to get what you put into it if you want to read through all the pdf s download and print them take more time to learn the

**shin ohtake s fat burning workout my max workouts review** - Jun 01 2022

web sep 19 2013 max workouts the 90 day program developed by shin that promises to have everything a person will ever need to get back into shape and develop lean

**max workouts review is shin ohtake s max** - Sep 04 2022

web max workouts review is shin ohtakes workout program good ken starling 23 subscribers subscribe 13 10k views streamed 8 years ago max workouts review

**shin ohtake partner max workouts inc linkedin** - Jan 08 2023

web feb 25 2016 max workouts is an accelerated fitness and fat burning program created by shin ohtake this program takes users through 90 days of specially crafted workouts

*max workouts by shin ohtake the ultimate half hour workout* - Mar 10 2023

web shin ohtake s unconventional no nonsense approach to fitness fat loss has made him the go to source for fitness enthusiasts and trainers alike his world famous fitness

*max workouts review why i didn t buy it top workout* - Aug 03 2022

web 46k views 7 years ago max workouts is a 90 day fitness and nutrition program created by shin ohtake the premise of the max workouts program is 90 days on intense

**max workouts shin ohtake youtube** - Nov 25 2021

**shin ohtake maxworkouts com** - Feb 09 2023

web strength coach fitness fat loss expert at max workouts

**max workouts review my results ratings youtube** - Dec 07 2022

web max workouts were created by shin ohtake as the 90 day ultimate fitness program the fancy ebook cover promises anyone can achieve some pretty reasonable goals by

[shin ohtake max workouts youtube](#) - Jul 14 2023

web jan 27 2022 shin ohtake max workouts 16 videos 57 301 views last updated on jan 27 2022 play all shuffle 1 10 33 hawaii body weight workout maxworkouts 371k

**self introductions with tips and examples indeed com** - Nov 07 2022

web jun 2 2023 1 summarize your professional standing the first sentence of your self introduction should include your name job title or experience if you re unemployed and seeking a job you might mention your educational degree certification level or current place in your job search for example

6 introduction email template examples how to write one - Dec 08 2022

web aug 10 2022 here is an email template you may use to introduce yourself to a team member at a new job hi name i appreciate we have already had a brief introduction but i wanted to drop you a quick email to show how excited i am to work with you here

*self introduction email 14 examples and template flowrite* - Aug 16 2023

web how to introduce yourself in an email with 14 samples and a template learn how to introduce yourself in an email as a new employee for a job to clients team colleagues or business partners with the help of our self introduction email samples

*how to introduce yourself at work with tips and examples* - Feb 10 2023

web mar 10 2023 how to introduce yourself to new coworkers regardless of how your new company handles introductions seeking opportunities to introduce yourself properly can establish a solid foundation for a happy and rewarding work life here are some tips to help you make introductions to colleagues at your new workplace 1 ask questions

**how to introduce yourself in an email professionally** - Aug 04 2022

web nov 28 2022 1 craft a self explanatory subject line before opening your email the recipient will read the subject line this needs to be clear direct and self explanatory if you are writing about a new job role a promotion a leave request or a sales pitch explicitly state it related 45 email greetings for the workplace 2 refer to a mutual connection

**how to introduce yourself in an email with examples** - Jul 03 2022

web nov 14 2022 a self introduction email is a message sent to someone you have never met with information about who you are the purpose of the email is usually a request such as asking for information about a job asking for

**how to introduce yourself in an email with examples** - Jan 09 2023

web career advice how to introduce yourself in an email with examples how to introduce yourself in an email with examples there are numerous situations that require you to know how to introduce yourself in an email these could include looking for a new job seeking information or making a connection

*how to introduce yourself over email indeed com* - Jun 02 2022

web jul 21 2022 in this article we ll show you how to best introduce yourself in an email and provide an example what is an introductory email an introductory email is a correspondence that makes initial contact with potential employers clients and collaborators explaining who you are and how you can help them

[7 email templates you need when you start a new job](#) - Jun 14 2023

web jan 26 2023 send these introduction emails when you start a new job to show your new coworkers clients and everyone else that you re looking forward to working with them hit the ground running and impress your coworkers from the start

[how to introduce yourself professionally in an email with samples](#) - Mar 31 2022

web jan 10 2023 knowing how to make a great self introduction through a professionally written email is the key to finding a job fast briefly summarize your skills and experience and explain why you are interested in the position and why you would be

[how to introduce yourself in an email with examples science](#) - Sep 05 2022

web career how to introduce yourself in an email with examples an introduction email is a great way to make a strong first impression here are some tips and templates for introducing yourself by krista brown are you looking for a new job excited about taking a class expanding your clientele

[how to introduce yourself in an email examples people ai](#) - Jan 29 2022

web new employee self introduction email sending a personal introduction email to your team as a new hire is relatively common it is typically the first step toward creating rapport with the people you ll be working with you might send an employee introduction email to your immediate team directorate or an even larger group

**how to introduce yourself professionally with examples** - Oct 06 2022

web jul 31 2023 professional introduction examples here are three examples of professional introductions example 1 introducing yourself in an interview keep your introduction short and simple to hold your audience s attention example my name is priya and i enjoy promoting small companies to help them increase their profits i m

[how to introduce yourself in an email 24 templates to use](#) - Dec 28 2021

web dec 10 2020 an email to promote a new product or service is basically an introduction email to something new and newsworthy your company has done try to avoid sounding overly promotional and simply introduce your product or service while giving the recipient a valid reason why they should care

**make a good impression with a self introduction email to glassdoor** - Jul 15 2023

web jul 26 2022 writing a self introduction email to your team is important because it shows your enthusiasm to get to know everybody it s a great way to give your coworkers some background information about yourself and explain what role you re taking on

**how to introduce yourself professionally casually examples** - May 01 2022

web sep 5 2023 look at these typical challenging tasks of a new employee send an introduction email to the new team write an introduction paragraph about yourself for the newsletter prepare an about me paragraph for the website don t panic you

already know the most important thing the context plus you re not the first person tasked with

[9 email templates you ll need when you start a new job with samples](#) - Apr 12 2023

web apr 11 2023 self introduction in your new job is especially important if you are working in an mnc or any medium sized company you ll most likely be working cross functionally with different departments on a regular basis self introduction email to colleagues should be short and informative quick introduction of yourself your name and your job title

[perfect email introduction 11 examples for any scenario](#) - Feb 27 2022

web aug 23 2023 self introduction email sample a self introduction is a great way to make a good first impression with a new contact such emails are useful in starting a conversation building a rapport and warming them up it helps to let them know who you are what you do and why they should talk to you here s a sample subject hey first

**6 examples of how to introduce yourself in an email enhancv** - Mar 11 2023

web nov 18 2022 learn how to send a great self introduction email to potential employers clients and colleagues effective introductions use captivating email subject lines a formal greeting and a concise and informative body end the email with a call to action such as requesting a meeting or responding to your attached resume and cover letter

**introducing yourself 3 email introduction examples indeed** - May 13 2023

web aug 28 2023 learn about self introduction emails and how to introduce yourself via email plus review an email template and introduction examples for three scenarios

**100 solos clarinet partitions pour clarinette download only** - Dec 12 2021

web this book is part of alfred s harry potter instrumental solos series arranged for flute clarinet alto sax tenor sax trumpet horn in f trombone and optional piano

**100 solos clarinet partitions pour clarinette 2022 ftp** - May 17 2022

web 100 solos clarinet partitions pour clarinette downloaded from ftp theclearcreekgroup com by guest jax jaelyn despacito sheet music hal leonard

[100 solos clarinet planetepartitions com](#) - May 29 2023

web retrouvez sur planète partitions 100 solos clarinet songbook for clarinet 100 solos pour clarinette avec chiffage d accords 96 pages contenu up the lazy rivera

[100 solos clarinet partitions pour clarinette](#) - Apr 15 2022

web to start getting this info acquire the 100 solos clarinet partitions pour clarinette connect that we provide here and check out the link you could buy lead 100 solos clarinet

[100 solos clarinet partitions pour clarinette zapmap nissan co](#) - Sep 20 2022

web instrumental folio instrumentalists will love these collections of 130 popular solos including another one bites the dust

any dream will do bad day beauty and the

**partitions gratuites pour clarinette à télécharger free scores com** - Oct 22 2022

web bienvenue sur le site du clarinettiste olivier faure et trouvez des partitions gratuites et des fichiers midi sur la clarinette audio midi site n 1280 adriano amore musique

*partitions 100 solos clarinet clarinette free scores com* - Sep 01 2023

web une superbe collection de solos pour clarinette tous les morceaux sont complets et ne nécessitent pas d'accompagnement piano plus

**100solosclarinetpartitionspourclarinette copy chat dataflowkit** - Mar 15 2022

web clarinet alto sax tenor sax trumpet horn in f and trombone the arrangements are completely compatible with each other and can be played together or as solos

**10 morceaux de clarinette faciles pour les parfaits tompay** - Jun 17 2022

web sep 6 2023 2 adagio jouez la partition pour débutant adagio à la clarinette lent calme et pourtant fort en émotions l'adagio en sol mineur est basé sur des fragments

100 solos clarinet partitions pour clarinette amazon com - Nov 22 2022

web 100 solos clarinet partitions pour clarinette sheet music 4 3 66 ratings see all formats and editions paperback 15 13 15 used from 4 69 12 new from 14 38 sheet

*100 solos clarinet partitions pour clarinette old syndeohro* - Nov 10 2021

web this book is part of alfred s harry potter instrumental solos series arranged for flute clarinet alto sax tenor sax trumpet horn in f trombone and optional piano

**100 solos clarinet partitions pour clarinette sheet music** - Dec 24 2022

web 100 solos clarinet partitions pour clarinette 0752187336891 books amazon ca

**amazon com customer reviews 100 solos clarinet partitions** - Feb 23 2023

web find helpful customer reviews and review ratings for 100 solos clarinet partitions pour clarinette at amazon com read honest and unbiased product reviews from our users

**large choix de partitions pour clarinette gratuites youscribe** - Jul 19 2022

web partition complète missae quattuor quinque sex et octo vocibus tomás luis de victoria partition the magic flute mozart wolfgang amadeus mozart partition act i ii

100 graded clarinet solos dip in partition clarinette - Mar 27 2023

web retrouvez 100 graded clarinet solos dip in de partition clarinette sur laflutedepan com vents clarinette recueils

**100 solos clarinet clarinette partitions musicales** - Apr 27 2023

web choeur à deux voix choeur à l unisson choeur à quatre voix choeur à trois voix cithare clarinette clarinette basse clavecin concertina contrabasse cor cornemuse

*partitions 100 graded clarinet solos clarinet clarinette* - Jul 31 2023

web description dip in to this great selection of popular songs jazz standards film themes and show tunes all the tunes are specially arranged for clarinet with chord symbols at c

**sheet music 100 pop solos clarinet clarinet free scores com** - Jun 29 2023

web 25 99 partitions pour clarinette de 100 chansons pop arrangements par jack long avec symboles d accords

100 solos clarinet partitions pour clarinette 2022 old syndeohro - Jan 13 2022

web this book is part of alfred s harry potter instrumental solos series arranged for flute clarinet alto sax tenor sax trumpet horn in f trombone and optional piano

**category for clarinet imslp free sheet music pdf download** - Oct 02 2023

web this includes works originally scored for solo clarinet see also for clarinet piano scores featuring the clarinet sort this list by work type instrumentation composer and

**100 solos clarinet partitions pour clarinette sheet music** - Jan 25 2023

web 100 solos clarinet partitions pour clarinette on amazon com au free shipping on eligible orders 100 solos clarinet partitions pour clarinette

partitions pour clarinette seule à télécharger - Aug 20 2022

web partitions pour clarinette seule partitions pour clarinette soliste il s agit exclusivement d arrangements effectués par j b voinet pour le site partitions domaine public fr

100 solos clarinet partitions pour clarinette - Feb 11 2022

web 100 solos clarinet partitions pour clarinette below catalog of copyright entries fourth series library of congress copyright office 1969 canadiana 1987 klezmer book