

Outline of features

New electronic fuel injected F50 and F60 outboard motors have a mainly redesigned fuel and intake system based on the carbureted F60 outboard motor.

Power unit

- Single throttle body, single throttle valve
- Multi-point injection system, group injection (#1/#4 and #2/#3)
- Group ignition system (#1/#4 and #2/#3)
- Large plastic intake manifold
- Compact plastic fuel rail
- Modularized intake system components
- Vapor separator with built-in pressure regulator
- Solenoid valve
- Fuel cooler
- Aluminum rocker arm

Electrical

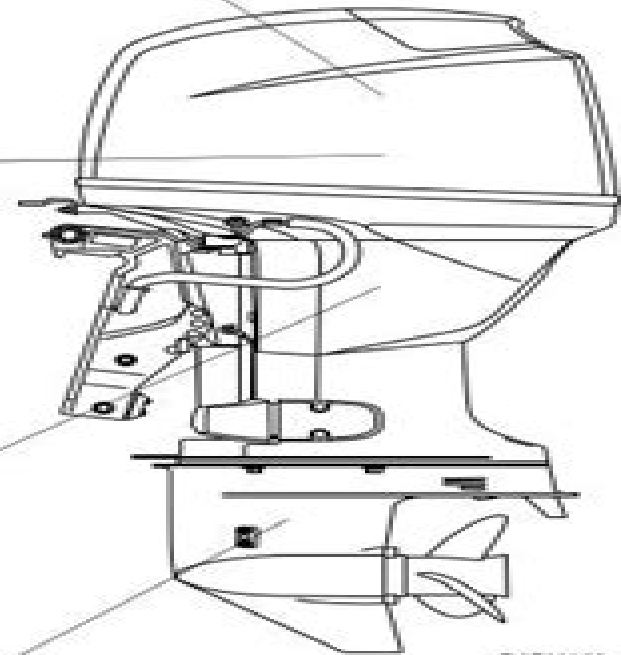
- Compact electronic fuel injection system
- Self-diagnosis system and Yamaha Diagnostic System
- Variable trolling RPM switch (optional for tiller handle model)
- Throttle position sensor with learning function (adjustment free)
- Compact charging system at low rpm
- Compact fuel injectors
- Fuel filter with water separator

Clamp bracket/upper case

- 2-piece upper case
- Upper portion case with oil sump
- Big capacity water wall structure around muffler
- Idle exhaust labyrinth structure
- Exclusive clamp bracket for permanent mounting

Lower unit

- Same lower drive unit as carbureted F60 model



S6C11120

1987 1992 Yamaha 30hp 2 Stroke Outboard Repair Manual

Penton Staff



1987 1992 Yamaha 30hp 2 Stroke Outboard Repair Manual:

Bibliography of Nautical Books, 1998 Diver, *Seloc's Yamaha* Joan Coles, Clarence W. Coles, 1987 Seloc Yamaha Outboards Seloc, 2004 1701 Covers all 2 250 hp 1 4 cylinder V4 and V6 models 2 stroke and 4 stroke models includes jet drives **Yamaha Outboard Shop Manual, 2-220 HP 2-stroke, 1984-1987** Kalton C. Lahue, 1987 **SELOC Yamaha Outboards** Nichols / Seloc, 1999 Covers all 2 250 HP 1 4 cylinder V4 and V6 2 stroke models Includes fuel injection and jet drives 1706 *Yamaha Outboards, 1997-09 Repair Manual*, 2009 **Yamaha Outboard** Joan Coles, Clarence W. Coles, 1998-03 SELOC Marine maintenance and repair manuals offer the most comprehensive authoritative information available for outboard inboard stern drive and diesel engines as well as personal watercraft SELOC has been the leading source of how to information for the marine industry since 1974 Designed and written to serve the needs of the professional mechanic do it yourself boat enthusiast instructor and student these manuals are based on actual teardowns done by Chilton Marine s editors authors in our on site facility Providing complete coverage on everything from basic maintenance to engine overhaul every manual features Simple to follow step by step illustrated procedures Hundreds of exploded drawings photographs and tables Troubleshooting sections accurate specifications and wiring diagrams Recognized and used by technical trade schools as well as the U S military Covers all 115 225 Hp V4 and V6 2 stroke models Also includes advanced oil injection and counter rotating drive Nearly 750 illustrations *Seloc Nissan/Tohatsu Outboards 1992-09 Repair Manual* (Seloc) Seloc, 2010 Covers all 2 140 HP 2 stroke and 4 stroke engines including EFI TLDI Front cover **Seloc Yamaha 4-stroke Outboards 2005-10 Repair Manual** (Seloc) Seloc, 2011 Covers all 2 5 350 HP 1 4 cylinder V6 and V8 4 stroke models Includes jet drives Wiring diagrams Cover Seloc Yamaha Outboards, 1997-03 Repair Manual, All 2-stroke Engines, 2004 1703 *Yamaha Outboard Shop Manual*, 1990 *Yamaha Outboards 1992-98*, 1999 **Outboard Motors Maintenance and Repair Manual** Jean-Luc Pallas, 2006-12-13 The aim of this book with its superb step by step photographs and detailed diagrams is to enable every owner to understand the workings of an outboard motor 2 or 4 stroke and be able to fix it with relative ease It includes an explanation of the different parts that make up the engine and how they interact how fuel is transformed into propulsion regular maintenance and repair worksheets to help even the most mechanically ignorant to work on their outboard engine with confidence the most common causes of breakdown troubleshooting tables to allow you to diagnose and fix the most common engine problems and advice on how to winterize your outboard in one short afternoon After reading this book your outboard will no longer be a potential bother to you but an ally for better boating **Clymer Yamaha Water Vehicles Shop Manual 1987-1992** Penton Staff, 1994-05-01 With the help of the Clymer Yamaha Water Vehicles Shop Manual 1987 1992 in your toolbox you will be able to maintain service and repair your machine to extend its life for years to come Clymer manuals are very well known for their thorough and comprehensive nature This manual is loaded with step by step procedures along with detailed photography exploded views

charts and diagrams to enhance the steps associated with a service or repair task This Clymer manual is organized by subsystem with procedures grouped together for specific topics such as front suspension brake system engine and transmission It includes color wiring diagrams The language used in this Clymer repair manual is targeted toward the novice mechanic but is also very valuable for the experienced mechanic The service manual by Clymer is an authoritative piece of DIY literature and should provide you the confidence you need to get the job done and save money too *Yamaha 2-225 HP 2-Stroke 84-89* Penton Staff,2000-05-24 1 through 6 cylinders *Seloc's Yamaha Outboard* Joan Coles,Clarence W. Coles,1987 **Yamaha Outboard, 1984-1991** Joan Coles,Clarence Coles,1998 SELOC Marine maintenance and repair manuals offer the most comprehensive authoritative information available for outboard inboard stern drive and diesel engines as well as personal watercraft SELOC has been the leading source of how to information for the marine industry since 1974 Designed and written to serve the needs of the professional mechanic do it yourself boat enthusiast instructor and student these manuals are based on actual teardowns done by Chilton Marine s editors authors in our on site facility Providing complete coverage on everything from basic maintenance to engine overhaul every manual features Simple to follow step by step illustrated procedures Hundreds of exploded drawings photographs and tables Troubleshooting sections accurate specifications and wiring diagrams Recognized and used by technical trade schools as well as the U S military Covers all 2 25 Hp 1 and 2 cylinder 4 stroke models Includes 9 9 Hp 4 stroke powerhead Over 1 030 illustrations **AC Maintenance & Repair Manual for Outboard Motors** Jean Luc Pallas,2013-08-10 The aim of this book with its detailed step by step colour photographs and diagrams is to enable every owner to fix their outboard motor with ease Troubleshooting tables help diagnose potential problems and there is advice on regular maintenance and winterising and repair Jean Luc Pallas s enthusiasm for passing on his knowledge as well as his clear explanations precise advice and step by step instructions make this a unique book *Outboard Two-Stroke and Four-Stroke Engine Repair Manual* Pasquale De Marco,2025-04-25 In the realm of outboard engines knowledge is the key to unlocking peak performance and ensuring smooth sailing Whether you re a seasoned boater or just starting out this comprehensive guide is your trusted companion on the water With crystal clear instructions and detailed illustrations this book empowers you to Diagnose and rectify common outboard engine issues with ease saving you time money and frustration Maintain your outboard engine meticulously extending its lifespan and optimizing its performance Maximize the potential of your outboard engine unlocking hidden power and efficiency gains that transform your boating experience Navigate the waters safely and confidently with expert guidance on preventing accidents and ensuring your well being From the basics of outboard engine operation to advanced troubleshooting techniques this book is your trusted advisor empowering you to conquer any challenge that arises on the water Step by step instructions coupled with insightful explanations equip you with the skills and knowledge to maintain repair and enhance your outboard engine ensuring years of trouble free operation Whether you re looking to tackle DIY

projects or simply expand your understanding of outboard engines this book is your indispensable resource With its comprehensive coverage and practical approach you ll become a more confident and capable boater ready to embark on unforgettable adventures Invest in this essential guide today and elevate your boating experience to new heights Let the open waters become your playground as you navigate them with confidence and expertise If you like this book write a review on google books

Immerse yourself in heartwarming tales of love and emotion with is touching creation, Tender Moments: **1987 1992 Yamaha 30hp 2 Stroke Outboard Repair Manual** . This emotionally charged ebook, available for download in a PDF format (PDF Size: *), is a celebration of love in all its forms. Download now and let the warmth of these stories envelop your heart.

<https://forums.acdsystems.com/results/virtual-library/index.jsp/1982%20cadillac%20eldorado%20service%20manual.pdf>

Table of Contents 1987 1992 Yamaha 30hp 2 Stroke Outboard Repair Manual

1. Understanding the eBook 1987 1992 Yamaha 30hp 2 Stroke Outboard Repair Manual
 - The Rise of Digital Reading 1987 1992 Yamaha 30hp 2 Stroke Outboard Repair Manual
 - Advantages of eBooks Over Traditional Books
2. Identifying 1987 1992 Yamaha 30hp 2 Stroke Outboard Repair Manual
 - Exploring Different Genres
 - Considering Fiction vs. Non-Fiction
 - Determining Your Reading Goals
3. Choosing the Right eBook Platform
 - Popular eBook Platforms
 - Features to Look for in an 1987 1992 Yamaha 30hp 2 Stroke Outboard Repair Manual
 - User-Friendly Interface
4. Exploring eBook Recommendations from 1987 1992 Yamaha 30hp 2 Stroke Outboard Repair Manual
 - Personalized Recommendations
 - 1987 1992 Yamaha 30hp 2 Stroke Outboard Repair Manual User Reviews and Ratings
 - 1987 1992 Yamaha 30hp 2 Stroke Outboard Repair Manual and Bestseller Lists
5. Accessing 1987 1992 Yamaha 30hp 2 Stroke Outboard Repair Manual Free and Paid eBooks
 - 1987 1992 Yamaha 30hp 2 Stroke Outboard Repair Manual Public Domain eBooks
 - 1987 1992 Yamaha 30hp 2 Stroke Outboard Repair Manual eBook Subscription Services
 - 1987 1992 Yamaha 30hp 2 Stroke Outboard Repair Manual Budget-Friendly Options

6. Navigating 1987 1992 Yamaha 30hp 2 Stroke Outboard Repair Manual eBook Formats
 - ePub, PDF, MOBI, and More
 - 1987 1992 Yamaha 30hp 2 Stroke Outboard Repair Manual Compatibility with Devices
 - 1987 1992 Yamaha 30hp 2 Stroke Outboard Repair Manual Enhanced eBook Features
7. Enhancing Your Reading Experience
 - Adjustable Fonts and Text Sizes of 1987 1992 Yamaha 30hp 2 Stroke Outboard Repair Manual
 - Highlighting and Note-Taking 1987 1992 Yamaha 30hp 2 Stroke Outboard Repair Manual
 - Interactive Elements 1987 1992 Yamaha 30hp 2 Stroke Outboard Repair Manual
8. Staying Engaged with 1987 1992 Yamaha 30hp 2 Stroke Outboard Repair Manual
 - Joining Online Reading Communities
 - Participating in Virtual Book Clubs
 - Following Authors and Publishers 1987 1992 Yamaha 30hp 2 Stroke Outboard Repair Manual
9. Balancing eBooks and Physical Books 1987 1992 Yamaha 30hp 2 Stroke Outboard Repair Manual
 - Benefits of a Digital Library
 - Creating a Diverse Reading Collection 1987 1992 Yamaha 30hp 2 Stroke Outboard Repair Manual
10. Overcoming Reading Challenges
 - Dealing with Digital Eye Strain
 - Minimizing Distractions
 - Managing Screen Time
11. Cultivating a Reading Routine 1987 1992 Yamaha 30hp 2 Stroke Outboard Repair Manual
 - Setting Reading Goals 1987 1992 Yamaha 30hp 2 Stroke Outboard Repair Manual
 - Carving Out Dedicated Reading Time
12. Sourcing Reliable Information of 1987 1992 Yamaha 30hp 2 Stroke Outboard Repair Manual
 - Fact-Checking eBook Content of 1987 1992 Yamaha 30hp 2 Stroke Outboard Repair Manual
 - Distinguishing Credible Sources
13. Promoting Lifelong Learning
 - Utilizing eBooks for Skill Development
 - Exploring Educational eBooks
14. Embracing eBook Trends
 - Integration of Multimedia Elements

- Interactive and Gamified eBooks

1987 1992 Yamaha 30hp 2 Stroke Outboard Repair Manual Introduction

In today's digital age, the availability of 1987 1992 Yamaha 30hp 2 Stroke Outboard Repair Manual books and manuals for download has revolutionized the way we access information. Gone are the days of physically flipping through pages and carrying heavy textbooks or manuals. With just a few clicks, we can now access a wealth of knowledge from the comfort of our own homes or on the go. This article will explore the advantages of 1987 1992 Yamaha 30hp 2 Stroke Outboard Repair Manual books and manuals for download, along with some popular platforms that offer these resources. One of the significant advantages of 1987 1992 Yamaha 30hp 2 Stroke Outboard Repair Manual books and manuals for download is the cost-saving aspect. Traditional books and manuals can be costly, especially if you need to purchase several of them for educational or professional purposes. By accessing 1987 1992 Yamaha 30hp 2 Stroke Outboard Repair Manual versions, you eliminate the need to spend money on physical copies. This not only saves you money but also reduces the environmental impact associated with book production and transportation. Furthermore, 1987 1992 Yamaha 30hp 2 Stroke Outboard Repair Manual books and manuals for download are incredibly convenient. With just a computer or smartphone and an internet connection, you can access a vast library of resources on any subject imaginable. Whether you're a student looking for textbooks, a professional seeking industry-specific manuals, or someone interested in self-improvement, these digital resources provide an efficient and accessible means of acquiring knowledge. Moreover, PDF books and manuals offer a range of benefits compared to other digital formats. PDF files are designed to retain their formatting regardless of the device used to open them. This ensures that the content appears exactly as intended by the author, with no loss of formatting or missing graphics. Additionally, PDF files can be easily annotated, bookmarked, and searched for specific terms, making them highly practical for studying or referencing. When it comes to accessing 1987 1992 Yamaha 30hp 2 Stroke Outboard Repair Manual books and manuals, several platforms offer an extensive collection of resources. One such platform is Project Gutenberg, a nonprofit organization that provides over 60,000 free eBooks. These books are primarily in the public domain, meaning they can be freely distributed and downloaded. Project Gutenberg offers a wide range of classic literature, making it an excellent resource for literature enthusiasts. Another popular platform for 1987 1992 Yamaha 30hp 2 Stroke Outboard Repair Manual books and manuals is Open Library. Open Library is an initiative of the Internet Archive, a non-profit organization dedicated to digitizing cultural artifacts and making them accessible to the public. Open Library hosts millions of books, including both public domain works and contemporary titles. It also allows users to borrow digital copies of certain books for a limited period, similar to a library lending system. Additionally, many universities and educational institutions have their own digital libraries that provide free access to PDF books and manuals. These libraries often offer academic texts, research papers, and

technical manuals, making them invaluable resources for students and researchers. Some notable examples include MIT OpenCourseWare, which offers free access to course materials from the Massachusetts Institute of Technology, and the Digital Public Library of America, which provides a vast collection of digitized books and historical documents. In conclusion, 1987 1992 Yamaha 30hp 2 Stroke Outboard Repair Manual books and manuals for download have transformed the way we access information. They provide a cost-effective and convenient means of acquiring knowledge, offering the ability to access a vast library of resources at our fingertips. With platforms like Project Gutenberg, Open Library, and various digital libraries offered by educational institutions, we have access to an ever-expanding collection of books and manuals. Whether for educational, professional, or personal purposes, these digital resources serve as valuable tools for continuous learning and self-improvement. So why not take advantage of the vast world of 1987 1992 Yamaha 30hp 2 Stroke Outboard Repair Manual books and manuals for download and embark on your journey of knowledge?

FAQs About 1987 1992 Yamaha 30hp 2 Stroke Outboard Repair Manual Books

1. Where can I buy 1987 1992 Yamaha 30hp 2 Stroke Outboard Repair Manual books? Bookstores: Physical bookstores like Barnes & Noble, Waterstones, and independent local stores. Online Retailers: Amazon, Book Depository, and various online bookstores offer a wide range of books in physical and digital formats.
2. What are the different book formats available? Hardcover: Sturdy and durable, usually more expensive. Paperback: Cheaper, lighter, and more portable than hardcovers. E-books: Digital books available for e-readers like Kindle or software like Apple Books, Kindle, and Google Play Books.
3. How do I choose a 1987 1992 Yamaha 30hp 2 Stroke Outboard Repair Manual book to read? Genres: Consider the genre you enjoy (fiction, non-fiction, mystery, sci-fi, etc.). Recommendations: Ask friends, join book clubs, or explore online reviews and recommendations. Author: If you like a particular author, you might enjoy more of their work.
4. How do I take care of 1987 1992 Yamaha 30hp 2 Stroke Outboard Repair Manual books? Storage: Keep them away from direct sunlight and in a dry environment. Handling: Avoid folding pages, use bookmarks, and handle them with clean hands. Cleaning: Gently dust the covers and pages occasionally.
5. Can I borrow books without buying them? Public Libraries: Local libraries offer a wide range of books for borrowing. Book Swaps: Community book exchanges or online platforms where people exchange books.
6. How can I track my reading progress or manage my book collection? Book Tracking Apps: Goodreads, LibraryThing, and Book Catalogue are popular apps for tracking your reading progress and managing book collections. Spreadsheets:

You can create your own spreadsheet to track books read, ratings, and other details.

7. What are 1987 1992 Yamaha 30hp 2 Stroke Outboard Repair Manual audiobooks, and where can I find them?
Audiobooks: Audio recordings of books, perfect for listening while commuting or multitasking. Platforms: Audible, LibriVox, and Google Play Books offer a wide selection of audiobooks.
8. How do I support authors or the book industry? Buy Books: Purchase books from authors or independent bookstores. Reviews: Leave reviews on platforms like Goodreads or Amazon. Promotion: Share your favorite books on social media or recommend them to friends.
9. Are there book clubs or reading communities I can join? Local Clubs: Check for local book clubs in libraries or community centers. Online Communities: Platforms like Goodreads have virtual book clubs and discussion groups.
10. Can I read 1987 1992 Yamaha 30hp 2 Stroke Outboard Repair Manual books for free? Public Domain Books: Many classic books are available for free as they're in the public domain. Free E-books: Some websites offer free e-books legally, like Project Gutenberg or Open Library.

Find 1987 1992 Yamaha 30hp 2 Stroke Outboard Repair Manual :

1982 cadillac eldorado service manual

1981 suzuki lj 80 service repair manual

1980 honda cx 550

1980 padi open water manual

1974 kawasaki kz400 service repair workshop manual

1975 corvette service manual

1980 yamaha it 175

1976 monte carlo repair guide

1978 puch moped manual

1981 bmw 320i specs

~~1976 evinrude 40605 service manual 89491~~

1976 starcraft pop up camper manual

1976 goldwing service manual

1981 corvette door latch drawings

1980 suzuki 550

1987 1992 Yamaha 30hp 2 Stroke Outboard Repair Manual :

download free rainbow loom companion guide poodle made by mommy - Apr 17 2023

web rainbow loom companion guide poodle made by mommy pdf how to raise and train poodles aug 29 2022 learn about this elegant dog that was originally a duck and game bird hunting companion and has contributed to many other dog breeds and find out whether or not the energetic and sociable poodle will be the best choice for your and

rainbow loom companion guide poodle made by mommy pdf - Aug 09 2022

web rainbow loom companion guide poodle made by mommy pdf 3 3 crochet your way through this new collection of easy to make amigurumi characters from a philosophical sloth and a chess playing armadillo to a very fluffy angora bunny who loves her job in customer service learn to improve your crochet techniques working up from the beginner

download solutions rainbow loom companion guide poodle made by mommy - Mar 16 2023

web nov 5 2021 get the rainbow loom companion guide poodle made by mommy pdf pdf pdf join that we give here and check out the link you could buy lead rainbow loom companion guide poodle made by mommy pdf pdf pdf or acquire it as soon as feasible you could speedily download this rainbow loom companion guide poodle made by

download solutions rainbow loom companion guide poodle made by mommy - Nov 12 2022

web apr 10 2023 by mommy pdf pdf pdf getting the books rainbow loom companion guide poodle made by mommy pdf pdf pdf now is not type of inspiring means you could not single handedly going once books buildup or library or borrowing from your connections to gate them this is an no question easy means to specifically get guide by on line this

rainbow loom companion guide poodle made by mommy pdf - May 18 2023

web rainbow loom companion guide poodle made by mommy pdf author ferdinand semmler from media joomlashine com subject rainbow loom companion guide poodle made by mommy pdf keywords by made guide rainbow companion loom pdf poodle mommy created date

rainbow loom companion guide poodle made by mommy pdf - May 06 2022

web rainbow loom companion guide poodle made by mommy pdf pdf pdf upload herison y hayda 2 5 downloaded from vla ramtech uri edu on november 10 2023 by herison y hayda demeanor veils his deepest unspoken desire he has no wish to see her change nor to tempt himself with her presence when his own secrets make any future between them

the ultimate rainbow loom guide instructables - Jun 19 2023

web the ultimate rainbow loom guide by penolopy bulnick in craft jewelry 203 007 219 featured favorite time to start making with your rainbow loom we ll get you started with making a basic bracelet on the loom and work you up to making crazy starburst bracelets and fun little charms if you re feeling really lucky go for the hexafish bracelet

making a poodle on the rainbow loom youtube - Aug 21 2023

web oct 29 2013 this is a video tutorial on how to make a poodle charm on the rainbow loom an updated version of this tutorial can found here you tube leas0ljnapaba

rainbow loom companion guide poodle made by mommy - Apr 05 2022

web jul 5 2011 23 11 2023 by guest 2 8 rainbow loom companion guide poodle made by mommy life approaching the world we have enough money you this proper as well as easy pretentiousness to get those all we allow rainbow loom companion guide poodle made by mommy and numerous books collections from

rainbow loom companion guide poodle made by mommy pdf - Jul 08 2022

web rainbow loom companion guide poodle made by mommy pdf touch device users explore by touch or with swipe gestures the body is soft and squishy a perfect companion for any child please note desired colors in comments to seller when purchasing this item please contact me with any questions please add note to seller with color choice

rainbow loom poodle 31 steps instructables - Sep 22 2023

web step 18 muzzle now take your hook and wrap a black rubber band around it 4 times then take an unshaved poodle colored rubber band and put it on the curved part of the hook then slide the black rubber band onto the other rubber band and place the other rubber band fully onto the hook then place the muzzle onto the rubber band above the neck

rainbow loom companion guide poodle made by mommy pdf - Jan 14 2023

web apr 7 2023 objective to download and install the rainbow loom companion guide poodle made by mommy pdf pdf pdf it is very easy then back currently we extend the partner to buy and create bargains to download and install rainbow loom companion guide poodle made by mommy pdf pdf pdf fittingly simple

rainbow loom companion guide poodle made by mommy - Mar 04 2022

web website it will categorically ease you to look guide rainbow loom companion guide poodle made by mommy as you such as by searching the title publisher or authors of guide you in fact want you can discover them rapidly in the house workplace or perhaps in your method can be every best area within net connections

rainbow loom companion guide a poodle made by mommy - Oct 23 2023

web get free access to pdf ebook rainbow loom companion guide a poodle made by mommy pdf pdf get rainbow loom companion guide a poodle made by mommy pdf pdf file for free from our online library

[rainbow loom companion guide poodle made by mommy pdf](#) - Dec 13 2022

web rainbow loom companion guide poodle made by mommy pdf pdf 2023 isip overcd upd edu ph created date 9 20 2023 2 43 41 am

pdf rainbow loom companion guide poodle made by mommy - Feb 15 2023

web rainbow loom companion guide poodle made by mommy pdf the mommy life jun 17 2021 laugh at the ups downs and

silliness of mommy life with this collection of relatable illustrations that let you know you re not alone do you live for nap time can you find a sippy cup among the plastic rubble in less than ten seconds

rainbow loom tutorial guide for parents in singapore - Jul 20 2023

web sep 22 2014 the rainbow loom craze is definitely on kids and parents alike are hooked on weaving colourful and intricate bracelets and trinkets on their looms haven t jumped on the bandwagon yet these fast facts techniques and designs are all you need to know to get started on your first rainbow loom creation

rainbow loom companion guide poodle made by mommy pdf - Jun 07 2022

web to the rise of an unnamed dictator and an epidemic of loneliness begin to loom she posts her way deeper into the portal s void an avalanche of images details and references accumulate to form a landscape that is post sense post irony post everything are we in hell the people of the portal ask themselves

rainbow loom companion guide poodle made by mommy pdf - Sep 10 2022

web rainbow loom companion guide poodle made by mommy pdf pdf is available in our digital library an online access to it is set as public so you can download it instantly our book servers hosts in multiple countries allowing you to get the most less latency time to download any of our books like this one kindly say the rainbow loom companion

[rainbow loom companion guide poodle made by mommy pdf](#) - Oct 11 2022

web rainbow loom companion guide poodle made by mommy pdf downloaded from stage gapinc com by guest buck hughes summer pantheon she s been burned not once but twice by london s so call ed gentlemen gwen maudsley is pretty enough to be popular and plenty wealthy too but what she s best known and loved for is being so

propensity score analysis sage publications inc - Jan 05 2023

web preview fully updated to reflect the most recent changes in the field the second edition of propensity score analysis provides an accessible systematic review of the origins history and statistical foundations of propensity score analysis illustrating how it can be used for solving evaluation and causal inference problems

an introduction to propensity score methods for reducing the - Aug 12 2023

web jun 8 2011 the propensity score is the probability of treatment assignment conditional on observed baseline characteristics the propensity score allows one to design and analyze an observational nonrandomized study so that it mimics some of the particular characteristics of a randomized controlled trial

a tutorial and case study in propensity score analysis an - Jun 10 2023

web propensity score methods allow investigators to estimate causal treatment effects using observational or nonrandomized data in this article we provide a practical illustration of the appropriate steps in conducting propensity score analyses for illustrative purposes we use a sample of current smo

[propensity score analysis columbia public health](#) - Sep 13 2023

web propensity score analysis overview the ps is a probability in fact it is a conditional probability of being exposed given a set of covariates description propensity score analysis psa arose as a way to achieve exchangeability between exposed and unexposed readings oakes jm and johnson

propensity score matching with r conventional methods and - Mar 07 2023

web may 16 2020 what is propensity score analysis in recent decades propensity score analysis psa has attracted increasing attention figure 1 propensity score ps 1 as defined by rosenbaum and rubin is the probability of receiving certain treatments conditional on observed baseline covariates and is

a practical guide to propensity score analysis for applied clinical - Feb 06 2023

web nov 1 2017 1 1 propensity scores observational studies are vulnerable to selection bias a situation when individual characteristics covariates are related to the likelihood of receiving the treatment and such relations lead to an inaccurate estimate of the treatment effect rosenbaum 2002 rosenbaum 2010 the ps is the conditional probability

[a brief guide to propensity score analysis pmc national](#) - Oct 14 2023

web dec 7 2018 a brief guide to propensity score analysis abstract in the statistical analysis of observational data propensity score is a technique that attempts to estimate introduction randomized controlled trials rcts are considered the gold standard for assessing intervention effects conclusion

propensity score matching wikipedia - Jul 11 2023

web in the statistical analysis of observational data propensity score matching psm is a statistical matching technique that attempts to estimate the effect of a treatment policy or other intervention by accounting for the covariates that predict receiving the treatment

statistics in brief an introduction to the use of propensity scores - May 09 2023

web mar 13 2015 propensity scores are an alternative method to estimate the effect of receiving treatment when random assignment of treatments to subjects is not possible they should be used in orthopaedics when it is not feasible to

sage research methods foundations propensity score analysis - Apr 08 2023

web jan 15 2020 propensity score analysis psa is a class of statistical methods developed for estimating treatment effects with nonexperimental data or causality analysis in general specifically psa offers an approach to program evaluation when randomized trials are infeasible or unethical or when researchers need to assess treatment effects or causal

floor cleaner formulation us fc 31 prospector by ul - Oct 23 2021

[floor cleaner domenica formulations](#) - Dec 25 2021

web this formulation is for floor cleaner that contains the basf ingredient glucoxon 425n decyl glucoside company basf home care and industrial and institutional ingredients

ultimate guide to commercial floor cleaner formulation and - Oct 15 2023

web 7 rows sep 20 2023 types of commercial floor cleaner formulations floor cleaner formulations can be broadly starting formulations cleaning products dow inc - Jan 06 2023

web floor cleaner trade name chemical description w w function glucoxon 425n decyl glycoside 7 50 surfactant tall oil fatty acid 4 50 soap when neutralized

wo2013072907a1 floor cleaning formulation comprising an - Aug 01 2022

web formulation data base control list 101 low viscosity furniture polish the above milky white emulsion is suitable for filling into trigger and aerosol packs 102

household and i i formulation guide krahn nordics - Aug 13 2023

web formulation guide hard surface cleaner all purpose hard surface cleaner part active ingredient trade name w w a water 84 50 propylene glycol n

floor cleaner formulations download only - Feb 24 2022

web for all floor types a gentle and considered formulation that takes care of your floors ritualdilute 50mls of floor cleaner in 5l of warm water while taking a moment to ground yourself 500 ml 16 5 oz made in australia

floor cleaners floor wiper sheets tile parquet marble cleaners - Mar 28 2022

web 2 days ago floor cleaner is a specialized solution formulated to clean leading manufacturers to innovate and create eco friendly formulations that are both effective

floor cleaner manufacturing plant project report 2023 - Jan 26 2022

web may 28 2019 cif lemon green tea floor cleaner 1l to ensure your vinyl flooring stays fresh and stain free a mild yet effective floor cleaner is definitely needed like the

11 best floor cleaner liquids for every type of flooring selleys - Sep 02 2022

web oct 22 2023 instructions thoroughly mix the ingredients in the sprayer liberally spray one area of the floor at a time wipe with a damp mop let air dry or use a dry mop

6 homemade floor cleaner recipes how to clean your floors - Jun 30 2022

web floor cleaners formulations april 28th 2018 quick how to information for cleaning professionals the polymer is a major ingredient of the finish formulation the polymer is

dilutable floor cleaner tablets formulation kao chemicals eu - May 10 2023

web dilutable floor cleaner 1000x concentrate formulation neutral cleaner for floor purpose few streaks or residues left on

surfaces dilutable

floor cleaner concentrate formulation 35074 26 prospector - Jul 12 2023

web this formulation is for floor cleaner concentrate that contains trilon m liquid texapon842 up and dehydol od 5

floor cleaners formulations orientation sutd edu sg - Apr 28 2022

web advanced cleaning product formulations apr 21 2023 this book volume 5 presents several hundred advanced cleaning product formulations for household industrial and

floor cleaner clear drying formulation kao chemicals eu - Sep 14 2023

web experience the brilliance of our floor cleaner clear drying formulation a neutral cleaner crafted for hard surfaces and floors it leaves fewer residues than standard

floor cleaner formulation us fc 31 pdf pdf scribd - Nov 04 2022

web aha floor cleaner aha floor cleaner is free of ingredients that could be harmful to animals such as propylene glycol and triclosan the plant based formula is just as

formulation data base control list surchem - May 30 2022

web 40 per pack 4 3 31 add to cart 3 99 smart choice floor cleaner floral fresh 3l 4 7 7 add to cart keep your floors spotless with a range of cleaning solutions from wet

8 best floor cleaner liquids in singapore 2023 productnation - Nov 23 2021

dilutable formulas kao chemicals eu - Apr 09 2023

web this company offers surfactants and general degreasing formulations for use in car care cleaning products industrial degreasers detergents kitchen cleaners and bleaches

floor cleaner formulation d 240 prospector by ul - Feb 07 2023

web discover our all purpose cleaner standard formulation your ultimate solution for hard surface applications this versatile direct application product doubles as an efficient floor

starting point formulations for home care and i i byk - Oct 03 2022

web the present invention is directed to a cleaning formulation comprising a cleaning agent and an insect growth regulator igr and to a method for indoor control of household insects

dilutable floor cleaner 1000x concentrate kao chemicals eu - Mar 08 2023

web our starting formulations include approved ingredients by the cleangredients database of chemical ingredients used primarily to formulate residential institutional industrial and janitorial cleaning products that have been pre approved to meet the u s epa s safer choice standard

pdf formulation of a floor cleaning product using - Jun 11 2023

web neutral floor cleaner dilutable product recommended dosage 15ml product 750ml tap water 1 50 dilution usual dosage on floors 50ml diluted product 5l tap water

all purpose cleaner standard formulation kao chemicals eu - Dec 05 2022

web pdf sprayable oven cleaner utilized laponite rd pdf sprayable dripless glass and window cleaner utilized laponite rd pdf stainless steel cleaner for excellent