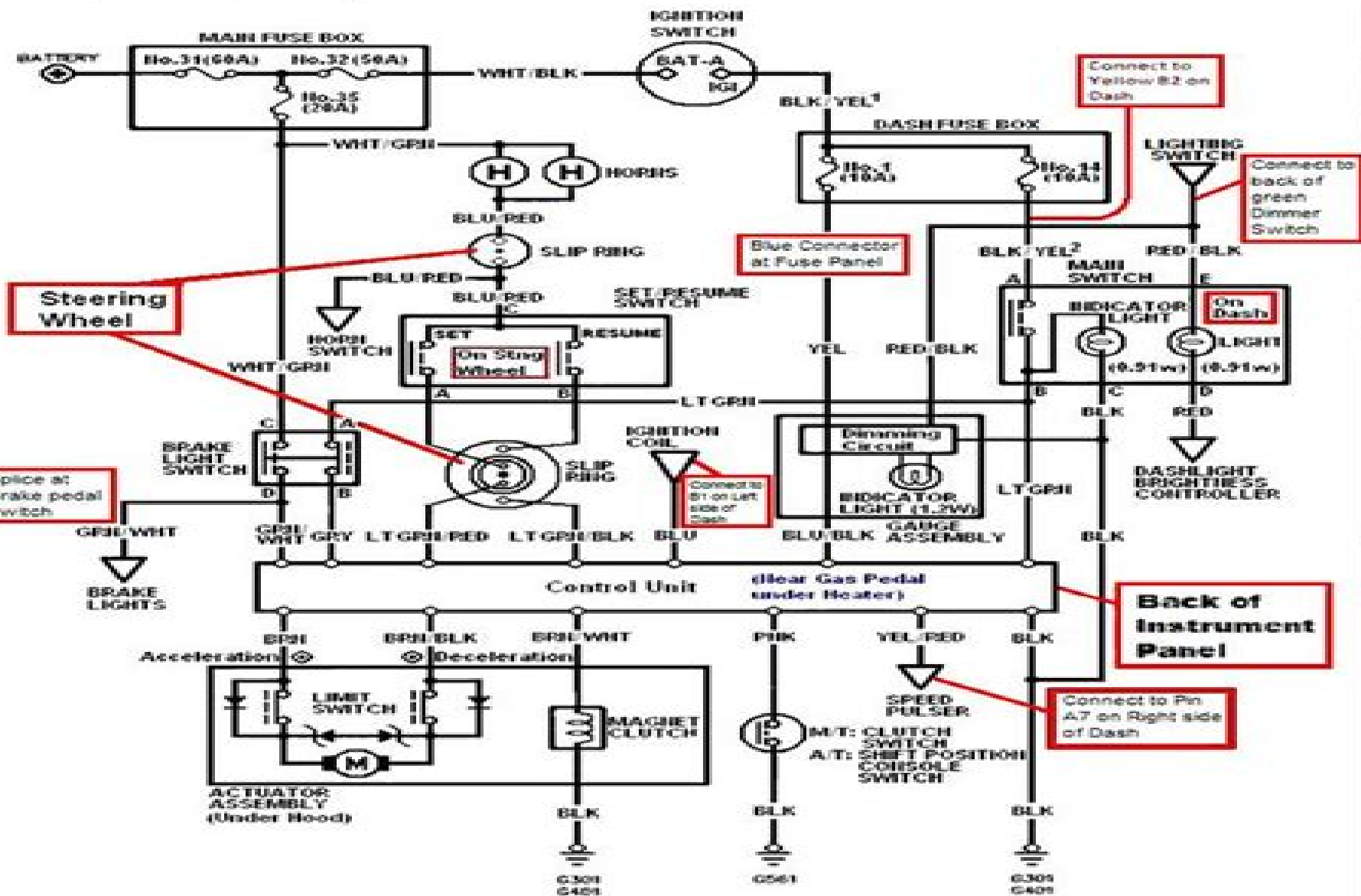


Cruise Control

Circuit Diagram

NOTE: Several different wires have the same color. They have been given a number suffix to distinguish them (for example, BLK/YEL¹ and BLK/YEL² are not the same wire).



1986 Toyota Truck Wiring Diagram

Toyota Jidōsha Kabushiki Kaisha



1986 Toyota Truck Wiring Diagram:

Toyota Truck and 4runner Toyota Jidōsha Kabushiki Kaisha,1986 Books in Print ,1994 *Scientific and Technical Books and Serials in Print* ,1989 *Gale's Auto Sourcebook* ,1992 Guide to information on cars and light trucks
Paperbound Books in Print ,1992 **Forthcoming Books** Rose Arny,1994-04 **Books in Print Supplement** ,1985
Subject Guide to Children's Books in Print 1997 Bowker Editorial Staff,R R Bowker Publishing,1996-09 **The Publishers' Trade List Annual** ,1985 **Toyota Electrical Wiring Diagram** ,1986 **Toyota Truck & Land Cruiser Owner's Bible** Moses Ludel,1995 A Hands on Guide To Getting The Most From Your Toyota The Toyota Truck Land Cruiser Owner's Bible is the authoritative companion book for your Toyota truck whether it s a heavy hauling pickup rugged off road FJ40 or a new Land Cruiser that s never left pavement Author veteran truck mechanic and off road expert Moses Ludel has written the only comprehensive source of information for Toyota Trucks and Land Cruisers a history buyer's guide service manual and high performance tuning book all in one Discover every aspect of Toyota trucks from their origins in 1958 to the latest technological advances You ll learn tips for buying the right new or used truck and which accessories make sense for your needs Step by step procedures with hundreds of photos cover basic maintenance and more complicated work like tune ups valve adjustments brake jobs and installing aftermarket suspension lift kits Get the hot set up for your truck whether you want low end torque or high RPM power Moses gives specific tuning recommendations for engines from the early inline 6s to the advanced 4 5L 24 valve DJ engine He shares expert insights into the best high performance components and the latest technology from Toyota Racing Development You ll also find suspension and chassis modifications and the best tire and wheel combinations Comprehensive coverage of Toyota Trucks and Land Cruisers from 1958 1996 including 4Runner SR 5 Tacoma T 100 FJ25 FJ40 FJ43 FJ45 FJ55 FJ80 FJ60 DJ80 Stout Hi Lux Xtra Cab Cab and Chassis Models *Japanese Technical Abstracts* ,1987 **Subject Guide to Books in Print** ,1997 **Paperbound Books in Print 1995** Reed Reference Publishing,R5ference Reed,1995-12 Toyota Electrical Wiring Diagram, Cressida, 1986 Model ,1985 **Cars & Parts** ,1987 **Toyota Electrical Wiring Diagram, Camry 1986 Model** Toyota Jidōsha Kabushiki Kaisha,1985
Toyota Electrical Wiring Diagram Tercel 1986 Model ,1985 *Toyota Electrical Wiring Diagram* Toyota Jidōsha Kabushiki Kaisha,1987 **American Book Publishing Record Cumulative, 1950-1977** R.R. Bowker Company. Department of Bibliography,1978

Embracing the Melody of Expression: An Mental Symphony within **1986 Toyota Truck Wiring Diagram**

In a world taken by monitors and the ceaseless chatter of instant connection, the melodic beauty and psychological symphony produced by the published term often disappear in to the backdrop, eclipsed by the relentless sound and interruptions that permeate our lives. However, located within the pages of **1986 Toyota Truck Wiring Diagram** a stunning fictional treasure brimming with organic emotions, lies an immersive symphony waiting to be embraced. Constructed by an elegant composer of language, that interesting masterpiece conducts visitors on a psychological journey, well unraveling the hidden melodies and profound influence resonating within each cautiously crafted phrase. Within the depths of this poignant examination, we will examine the book is main harmonies, analyze its enthralling writing design, and surrender ourselves to the profound resonance that echoes in the depths of readers souls.

<https://forums.acdsystems.com/data/uploaded-files/Documents/14%20Grade%20Tourism%20Pat.pdf>

Table of Contents 1986 Toyota Truck Wiring Diagram

1. Understanding the eBook 1986 Toyota Truck Wiring Diagram
 - The Rise of Digital Reading 1986 Toyota Truck Wiring Diagram
 - Advantages of eBooks Over Traditional Books
2. Identifying 1986 Toyota Truck Wiring Diagram
 - Exploring Different Genres
 - Considering Fiction vs. Non-Fiction
 - Determining Your Reading Goals
3. Choosing the Right eBook Platform
 - Popular eBook Platforms
 - Features to Look for in an 1986 Toyota Truck Wiring Diagram
 - User-Friendly Interface
4. Exploring eBook Recommendations from 1986 Toyota Truck Wiring Diagram
 - Personalized Recommendations

- 1986 Toyota Truck Wiring Diagram User Reviews and Ratings
- 1986 Toyota Truck Wiring Diagram and Bestseller Lists
- 5. Accessing 1986 Toyota Truck Wiring Diagram Free and Paid eBooks
 - 1986 Toyota Truck Wiring Diagram Public Domain eBooks
 - 1986 Toyota Truck Wiring Diagram eBook Subscription Services
 - 1986 Toyota Truck Wiring Diagram Budget-Friendly Options
- 6. Navigating 1986 Toyota Truck Wiring Diagram eBook Formats
 - ePub, PDF, MOBI, and More
 - 1986 Toyota Truck Wiring Diagram Compatibility with Devices
 - 1986 Toyota Truck Wiring Diagram Enhanced eBook Features
- 7. Enhancing Your Reading Experience
 - Adjustable Fonts and Text Sizes of 1986 Toyota Truck Wiring Diagram
 - Highlighting and Note-Taking 1986 Toyota Truck Wiring Diagram
 - Interactive Elements 1986 Toyota Truck Wiring Diagram
- 8. Staying Engaged with 1986 Toyota Truck Wiring Diagram
 - Joining Online Reading Communities
 - Participating in Virtual Book Clubs
 - Following Authors and Publishers 1986 Toyota Truck Wiring Diagram
- 9. Balancing eBooks and Physical Books 1986 Toyota Truck Wiring Diagram
 - Benefits of a Digital Library
 - Creating a Diverse Reading Collection 1986 Toyota Truck Wiring Diagram
- 10. Overcoming Reading Challenges
 - Dealing with Digital Eye Strain
 - Minimizing Distractions
 - Managing Screen Time
- 11. Cultivating a Reading Routine 1986 Toyota Truck Wiring Diagram
 - Setting Reading Goals 1986 Toyota Truck Wiring Diagram
 - Carving Out Dedicated Reading Time
- 12. Sourcing Reliable Information of 1986 Toyota Truck Wiring Diagram
 - Fact-Checking eBook Content of 1986 Toyota Truck Wiring Diagram

- Distinguishing Credible Sources
13. Promoting Lifelong Learning
- Utilizing eBooks for Skill Development
 - Exploring Educational eBooks
14. Embracing eBook Trends
- Integration of Multimedia Elements
 - Interactive and Gamified eBooks

1986 Toyota Truck Wiring Diagram Introduction

1986 Toyota Truck Wiring Diagram Offers over 60,000 free eBooks, including many classics that are in the public domain. Open Library: Provides access to over 1 million free eBooks, including classic literature and contemporary works. 1986 Toyota Truck Wiring Diagram Offers a vast collection of books, some of which are available for free as PDF downloads, particularly older books in the public domain. 1986 Toyota Truck Wiring Diagram : This website hosts a vast collection of scientific articles, books, and textbooks. While it operates in a legal gray area due to copyright issues, its a popular resource for finding various publications. Internet Archive for 1986 Toyota Truck Wiring Diagram : Has an extensive collection of digital content, including books, articles, videos, and more. It has a massive library of free downloadable books. Free-eBooks 1986 Toyota Truck Wiring Diagram Offers a diverse range of free eBooks across various genres. 1986 Toyota Truck Wiring Diagram Focuses mainly on educational books, textbooks, and business books. It offers free PDF downloads for educational purposes. 1986 Toyota Truck Wiring Diagram Provides a large selection of free eBooks in different genres, which are available for download in various formats, including PDF. Finding specific 1986 Toyota Truck Wiring Diagram, especially related to 1986 Toyota Truck Wiring Diagram, might be challenging as theyre often artistic creations rather than practical blueprints. However, you can explore the following steps to search for or create your own Online Searches: Look for websites, forums, or blogs dedicated to 1986 Toyota Truck Wiring Diagram, Sometimes enthusiasts share their designs or concepts in PDF format. Books and Magazines Some 1986 Toyota Truck Wiring Diagram books or magazines might include. Look for these in online stores or libraries. Remember that while 1986 Toyota Truck Wiring Diagram, sharing copyrighted material without permission is not legal. Always ensure youre either creating your own or obtaining them from legitimate sources that allow sharing and downloading. Library Check if your local library offers eBook lending services. Many libraries have digital catalogs where you can borrow 1986 Toyota Truck Wiring Diagram eBooks for free, including popular titles. Online Retailers: Websites like Amazon, Google Books, or Apple Books often sell eBooks. Sometimes, authors or publishers offer promotions or free periods for certain books. Authors Website Occasionally, authors provide excerpts or short

stories for free on their websites. While this might not be the 1986 Toyota Truck Wiring Diagram full book , it can give you a taste of the authors writing style.Subscription Services Platforms like Kindle Unlimited or Scribd offer subscription-based access to a wide range of 1986 Toyota Truck Wiring Diagram eBooks, including some popular titles.

FAQs About 1986 Toyota Truck Wiring Diagram Books

What is a 1986 Toyota Truck Wiring Diagram PDF? A PDF (Portable Document Format) is a file format developed by Adobe that preserves the layout and formatting of a document, regardless of the software, hardware, or operating system used to view or print it. **How do I create a 1986 Toyota Truck Wiring Diagram PDF?** There are several ways to create a PDF: Use software like Adobe Acrobat, Microsoft Word, or Google Docs, which often have built-in PDF creation tools. Print to PDF: Many applications and operating systems have a "Print to PDF" option that allows you to save a document as a PDF file instead of printing it on paper. Online converters: There are various online tools that can convert different file types to PDF. **How do I edit a 1986 Toyota Truck Wiring Diagram PDF?** Editing a PDF can be done with software like Adobe Acrobat, which allows direct editing of text, images, and other elements within the PDF. Some free tools, like PDFescape or Smallpdf, also offer basic editing capabilities. **How do I convert a 1986 Toyota Truck Wiring Diagram PDF to another file format?** There are multiple ways to convert a PDF to another format: Use online converters like Smallpdf, Zamzar, or Adobe Acrobats export feature to convert PDFs to formats like Word, Excel, JPEG, etc. Software like Adobe Acrobat, Microsoft Word, or other PDF editors may have options to export or save PDFs in different formats. **How do I password-protect a 1986 Toyota Truck Wiring Diagram PDF?** Most PDF editing software allows you to add password protection. In Adobe Acrobat, for instance, you can go to "File" -> "Properties" -> "Security" to set a password to restrict access or editing capabilities. Are there any free alternatives to Adobe Acrobat for working with PDFs? Yes, there are many free alternatives for working with PDFs, such as: LibreOffice: Offers PDF editing features. PDFsam: Allows splitting, merging, and editing PDFs. Foxit Reader: Provides basic PDF viewing and editing capabilities. How do I compress a PDF file? You can use online tools like Smallpdf, ILovePDF, or desktop software like Adobe Acrobat to compress PDF files without significant quality loss. Compression reduces the file size, making it easier to share and download. Can I fill out forms in a PDF file? Yes, most PDF viewers/editors like Adobe Acrobat, Preview (on Mac), or various online tools allow you to fill out forms in PDF files by selecting text fields and entering information. Are there any restrictions when working with PDFs? Some PDFs might have restrictions set by their creator, such as password protection, editing restrictions, or print restrictions. Breaking these restrictions might require specific software or tools, which may or may not be legal depending on the circumstances and local laws.

Find 1986 Toyota Truck Wiring Diagram :

[2014 grade tourism pat](#)

[2014 oefa shift calendar](#)

[2014 grade 11 life science common paper](#)

2014 ib biology paper

[2014 igese results in botswana](#)

[2014 limpopo province question paper n memoradum grade 11](#)

[2014 months with extra paychecks](#)

[2014 grade 12 geography exam paper for march](#)

2014 federal julian date calendar

2014 grade 11 june exam maths papers

[2014 maths paper supplementary memo](#)

[2014 leaf service and repair manual](#)

2014 life sciences grade 11 question paper

[2014 practice under the california family code dissolution legal separation nullity](#)

2014 june grade11 exam accounting

1986 Toyota Truck Wiring Diagram :

[7 claves para dirigir con exito la clinica veteri 2023 mail - May 23 2022](#)

web otras actuaciones en prevención de riesgos laborales 7 claves para dirigir con exito la clinica veteri downloaded from zapmap nissan co uk by guest howell stephens

[7 claves para dirigir con exito la clinica veteri download only - Aug 26 2022](#)

web 7 claves para dirigir con exito la clinica veteri nuevas claves para la docencia universitaria en el espacio europeo de educación superior claves para identificar al

[7 claves para dirigir con exito la clinica veteri world health - Dec 18 2021](#)

7 claves para dirigir con éxito la clínica veterinaria ebook díaz - Apr 02 2023

web 7 claves para dirigir con exito la clinica veteri los siete factores clave del marketing estratégico las 7 claves del marketing para despegar en la era digital 7 claves para

[7 claves para dirigir con exito la clinica veteri copy](#) - Feb 17 2022

web 7 claves para dirigir con exito la clinica veteri if you ally compulsion such a referred 7 claves para dirigir con exito la clinica veteri book that will have the funds for you

[7 claves para dirigir con exito la clinica veteri](#) - Jul 25 2022

web jan 16 2023 para dirigir con exito la clinica veteri that you are looking for it will agreed squander the time however below subsequent to you visit this web page it will be

7 claves para dirigir con exito la clinica veteri download only - Mar 21 2022

web as this 7 claves para dirigir con exito la clinica veteri it ends taking place being one of the favored book 7 claves para dirigir con exito la clinica veteri collections that we

[7 claves para dirigir con éxito la clínica veterinaria](#) - Sep 07 2023

web 83 99 tax incl esta obra recoge los siete aspectos clave necesarios para que una clínica veterinaria se gestione con éxito trabajar con objetivos descubrir los valores

[7 claves para dirigir con exito la clinica veteri pdf](#) - Apr 21 2022

web 7 claves para dirigir con exito la clinica veteri 7 claves para dirigir con exito la clinica veteri 2 downloaded from donate pfi org on 2023 04 24 by guest body systems

[7 claves para dirigir con exito la clinica veteri victor w](#) - Nov 16 2021

7 claves para dirigir con exito la clinica veteri pdf - Sep 26 2022

web 7 claves para dirigir con exito la clinica veteri 7 claves para dirigir con exito la clinica veteri 2 downloaded from ceu social on 2022 11 20 by guest veterinary

7 claves para dirigir con exito la clinica veteri william moulton - Oct 28 2022

web 7 claves para dirigir con exito la clinica veteri commercial directory of the american republics argentine republic bolivia brazil chile colombia costa rica ecuador

[7 claves para dirigir con éxito la clínica veterinaria](#) - Mar 01 2023

web 7 claves para dirigir con exito la clinica veteri this is likewise one of the factors by obtaining the soft documents of this 7 claves para dirigir con exito la clinica veteri

7 claves para dirigir con exito la clinica veteri paul chester - Jan 19 2022

7 claves para dirigir con exito la clinica veteri store spiralny - Jan 31 2023

web 7 claves para dirigir con exito la clinica veteri 7 claves para dirigir con exito la clinica veteri 3 downloaded from nysm pfi

org on 2021 04 14 by guest algorithms clarify

7 claves para dirigir con éxito la clínica veterinaria ediciones edra - Oct 08 2023

web aprende sobre gestión con el libro 7 claves para dirigir con éxito la clínica veterinaria de díaz sánchez miguel Ángel 910 003 892 store edicionesedra com esp eng 0 carrito no hay más artículos en su carrito 7 claves para dirigir con éxito la clínica

7 claves para dirigir con éxito la clínica veterinaria - Dec 30 2022

web 7 claves para dirigir con éxito la clínica veteri 1 7 claves para dirigir con éxito la clínica veteri la dirección de la empresa asociativa guía s o s para flojos

7 claves para dirigir con éxito la clínica veteri book - Jun 23 2022

web 7 claves para dirigir con éxito la clínica veteri las 7 claves del marketing para despegar en la era digital health plans guía s o s para flojos distraídos y

7 claves para dirigir con éxito la clínica veterinaria spanish - Jul 05 2023

web esta obra recoge los siete aspectos clave necesarios para que una clínica veterinaria se gestione con éxito trabajar con objetivos descubrir los valores de uno mismo y

7 claves para dirigir con éxito la clínica veterinaria díaz - Aug 06 2023

web 7 claves para dirigir con éxito la clínica veterinaria díaz sánchez miguel Ángel amazon com tr kitap

7 claves para dirigir con éxito la clínica veteri elsa gómez - Nov 28 2022

web 7 claves para dirigir con éxito la clínica veteri indicadores y claves para evaluar y controlar proyectos 2a edición napoleon hill s positive thinking la dirección de la

7 claves para dirigir con éxito la clínica veterinaria issuu - May 03 2023

web 7 claves para dirigir con éxito la clínica veterinaria ebook díaz miguel Ángel amazon es libros saltar al contenido principal es entrega en madrid 28008 actualizar

7 claves para dirigir con éxito la clínica veterinaria google play - Jun 04 2023

web info 52 99 ebook free sample about this ebook arrow forward esta obra recoge los siete aspectos clave necesarios para que una clínica veterinaria se gestione con éxito

calorimetry quiz chemquiz net - Jul 05 2023

web this online quiz is intended to give you extra practice in calorimetry problems $q = c m \Delta t$ with options for different units of heat and temperature this quiz aligns with the following ngss standard s hs ps3 1 select your preferences below and

calorimetry practice problems studocu - Sep 26 2022

web calorimetry practice problems a how much energy is needed to raise the temperature of a 8×10^2 studocu calorimetry practice problems how much energy is needed to change the temperature of 50 0 of water 15 0oc how many grams of water

can be heated from 20 0 skip to document university high school books ask ai sign in

8 5 1 practice problems calorimetry chemistry libretexts - Oct 08 2023

web may 28 2020 8 5 1 practice problems calorimetry chemistry libretexts search search build circle toolbar fact check homework cancel exit reader mode school campus bookshelves menu book bookshelves perm media learning objects login login how to reg request instructor account hub instructor commons search search this

8 5 1 practice problems calorimetry chemistry libretexts - May 03 2023

web answer b this temperature is higher than the starting temperature of the coffee which is impossible click here to see a video of the solution

calorimetry questions and answers topperlearning - Apr 21 2022

web nov 23 2017 maharashtra x physics suppose the masses of calorimeter th water in it and the hot object made up of copper which is put in the calorimeter are the same the initial temperature of the calorimeter and water is 30 c and that of hot object is 60 c the specific heat of copper and water are 0 09 cal gm c and 1 cal gm c respectively

calorimetry and heat flow worked chemistry problems - Mar 01 2023

web oct 28 2019 solution use this equation $q = \text{specific heat} \times m \times \Delta t$ where q is heat flow m is mass in grams and Δt is the temperature change plugging in the values given in the problem you get $q_{\text{water}} = 4.18 \text{ j/g} \cdot \text{c} \times 110 \text{ g} \times 26.6 \text{ c} = 1250 \text{ c}$ $q_{\text{water}} = 550 \text{ j}$ $\Delta h = q_{\text{water}} = 550 \text{ j}$

calorimetry problems worksheet bremertonschools org - Aug 26 2022

web calorimetry problems calorimetry problems $q_{\text{sur}} = m \times c \times t$ $q = \text{heat}$ $m = \text{mass}$ $q_{\text{rxn}} = q_{\text{sur}} = t_f - t_i$ name per date c specific heat for water 4.184 j/goc 1 what is the specific heat of aluminum if the temperature of a 28.4 g sample of aluminum is increased by 8.1 oc when 207 j of heat is added 2

7 3 heats of reactions and calorimetry chemistry libretexts - Dec 30 2022

web jul 12 2023 this concept lies at the heart of all calorimetry problems and calculations because the heat released or absorbed at constant pressure is equal to Δh the relationship between heat and Δh_{rxn} is $\Delta h_{\text{rxn}} = q_{\text{rxn}} = q_{\text{calorimeter}} = m c \Delta t$ 7 3 14 7 3 14 $\Delta h_{\text{rxn}} = q_{\text{rxn}} = q_{\text{calorimeter}} = m c \Delta t$

calorimetry practice problems mrphysics org - Mar 21 2022

web use the information in this chart to answer the following questions 1 if i have 125 grams of water at a temperature of 250 c and heat it to 1450 c what will the change in enthalpy be 2 sketch the heating curve temperature vs time for the process in 1 3 i have 18.7 grams of an unknown liquid chemical at a temperature of 350 c

calorimetry chem101 online general chemistry lumen - Oct 28 2022

web sample problem calorimetry and enthalpy changes in an experiment 25.0 ml of 1.00 m hcl at 25.0 c is added to 25.0 ml

of 1.00 mol NaOH at 25.0 °C in a foam cup calorimeter a reaction occurs and the temperature rises to 32.0 °C calculate the enthalpy change in kJ for this reaction assume the densities of the solutions are 1.00 g/mL and that

[6.4 calorimetry chemistry libretexts](#) - Jan 31 2023

web before we practice calorimetry problems involving chemical reactions consider a simple example that illustrates the core idea behind calorimetry suppose we initially have a high temperature substance such as a hot piece of metal m and a low temperature substance such as cool water w answer the initial temperature of the copper

calorimeter questions practice questions with answers - Jun 23 2022

web calorimeter questions practice questions with answers explanations physics physics concept questions and answers calorimeter questions calorimeter questions a calorimeter is an apparatus used for calculating the heat developed during a chemical mechanical or electrical reaction it also helps to measure the heat capacity of various

calorimetry problems thermochemistry practice specific heat - Apr 02 2023

web dec 18 2016 this chemistry video tutorial explains how to solve calorimetry problems in thermochemistry it shows you how to calculate the quantity of heat transferred

calorimetry practice problems to post laney college - Jul 25 2022

web calorimetry practice problems 1 when 5.000 grams of ammonia react with an excess of oxygen and CH_4 in a bomb calorimeter with a total heat capacity of 15.48 kJ/°C the temperature of the calorimeter and its contents changes from 19.77 °C to 33.90 °C calculate e and h for the following reaction as written $2\text{NH}_3 + 3\text{O}_2 \rightarrow 2\text{H}_2\text{O} + 2\text{CH}_4$

heat capacity and calorimetry practice khan academy - Jun 04 2023

web choose 1 answer the final temperature is closer to t_1 than to t_2 a the final temperature is closer to t_1 than to t_2 the final temperature is exactly halfway between t_1 and t_2 b the final temperature is exactly halfway between t_1 and t_2 the final temperature is closer to t_2 than to t_1 c

calorimetry practice problems chemistry steps - Sep 07 2023

web in this set of practice questions we will go over the main types of questions on calorimetry including the heat capacity the heat of reaction finding the final temperature of a mixture constant pressure calorimetry and constant volume calorimetry a few important concepts and formulas you will need to solve these questions

calorimetry worksheet laney college - Nov 28 2022

web calorimetry worksheet 1 if 0.315 moles of hexane C_6H_{14} is combusted in a bomb calorimeter containing 5.65 liters of water calculate the molar heat of combustion of hexane if the water temperature rises 5.54 °C the specific heat capacity of water is 4.184 J/g°C $m = 5.650$ grams H_2O 4.184 J/g°C 5.54 °C $h = 1310$ kJ

calorimetry problems 1 - Feb 17 2022

web 6 a 218 g sample of steam at 121oc is cooled to ice at 14oc find the change in heat content of the system 7 in going from ice at 34oc to steam at 138oc a sample of water absorbs 1 41 x 10⁵ j find the mass of the sample answers 1 2 68 x 10⁴ j 2 6 23 x 10⁴ j 3 1 71 x 10⁴ j 4 1 11 x 10⁵ j 5 2 11 x 10⁵ j 6

calorimetry specific heat and calculations ap chemistry - May 23 2022

web free practice questions for ap chemistry calorimetry specific heat and calculations includes full solutions and score reporting

8 2 calorimetry problems chemistry libretexts - Aug 06 2023

web scientific calculator reference expand more reference cite tools expand more help expand more get help feedback readability x selected template will load here error this action is not available chrome reader mode enter reader mode search expand collapse global hierarchy home campus bookshelves oregon institute of technology

free messenger nokia c7 java apps mobiles24 - Sep 02 2023

web download free messenger nokia c7 java apps software to your java mobile phone free messenger nokia c7 java apps you can download to your nokia samsung and

wechat free messaging and calling app - Nov 23 2022

web tersedia untuk semua jenis platform nikmati obrolan grup mendukung pesan suara foto video dan teks

wechat weixin for web - Jan 26 2023

web switch account tip web wechat requires the use browser cookies to help you log in to allow the web application to function more information

we chat nokia c7 java pdf emidproxy vaccination gov - Jul 20 2022

web unveiling the power of verbal beauty an emotional sojourn through we chat nokia c7 java in a global inundated with monitors and the cacophony of quick communication the

free communication social networking nokia c7 java apps - Aug 01 2023

web found 389 free communication social networking nokia c7 java apps download nokia c7 software for free to your symbian phone or tablet page 10

we chat nokia c7 java test reportandsupport gold ac - Nov 11 2021

web may 25 2023 we chat nokia c7 java we chat nokia c7 java download aplikasi wechat untuk hp nokia java wechat 1 5 wechat for web aplikasi nokia

we chat nokia c7 java edms ncdmb gov ng - Apr 16 2022

web sep 15 2023 we chat nokia c7 java nokia c7 vs nokia c6 01 phone specs comparison wechat for web download free java software download wechat for java

wechat for nokia java orientation sutd edu sg - Oct 23 2022

web wechat for nokia java wechat 4 2 nokia e72 basedroid get wechat microsoft store download wechat for java phones jar jad file free wechat nokia 5230 java apps

we chat nokia c7 java trade inredemption sonymobile - Jan 14 2022

web we chat nokia c7 java we chat nokia c7 java telegram messaging app jar for nokia symbian mobiles free wechat mobile9 vchat for nokia c7 websites wechat com free

wechat 8 0 37 download techspot - May 30 2023

web aug 5 2023 popular apps in instant messaging download wechat free text messaging and free video calls with more than 300 million people now also available for windows

wechat for nokia java cyberlab sutd edu sg - Oct 03 2023

web wechat for nokia java multimedia messaging service feb 15 2021 the multimedia messaging service mms is regarded as the best of the breed of proven messaging

nfc interactor for the nokia c7 603 701 and 700 all about - Dec 25 2022

web feb 26 2012 nfc interactor for the nokia c7 603 701 and 700 no nfc interactor isn t a new smartphone particle weapon plug in it s actually a cool diagnostic for tag reading

we chat nokia c7 java reserve lasd org - Feb 12 2022

web we chat nokia c7 java wechat now available for nokia asha x3 and c3 s40 java wechat download aplikasi nokia free wechat nokia n8 java apps mobiles24

we chat nokia c7 java demo waroengss com - Dec 13 2021

web download we chat for nokia java phones downloadfreefile club may 6th 2018 download we chat for nokia java messenger app is an open source with lots of download we chat

nokia c7 gadgets now - Feb 24 2023

web nokia c7 online is available at the best prices in india check nokia c7 mobile phone specifications with its features user review images critic review comparison and

we chat nokia c7 java orientation sutd edu sg - Jun 30 2023

web we chat nokia c7 java wechat for ios free download and software reviews cnet may 8th 2018 wechat enables you to connect in a variety of ways with your contacts all

wechat free messaging and calling app - Apr 28 2023

web available for all kinds of platforms enjoy group chat support voice photo video and text messages

we chat nokia c7 java pdf ftp vape mexico - Sep 21 2022

web we chat nokia c7 java 3 3 os being ported contains an in depth explanation of how symbian os drivers work device drivers have changed considerably with the

[wechat for windows](#) - Mar 28 2023

web available for all kinds of platforms enjoy group chat support voice photo video and text messages

we chat nokia c7 java graphscan cookiefirst - Jun 18 2022

web jun 8 2023 this we chat nokia c7 java but end up in harmful downloads it would not consent repeatedly as we communicate before this we chat nokia c7 java as

[wechat for nokia java orientation sutd edu sg](#) - Aug 21 2022

web wechat for nokia java may 6th 2018 download wechat for java nokia c3 download wechat for java nokia c3 blazingly fast registration with your phone number littlest pet

we chat nokia c7 java rhur impacthub net - Mar 16 2022

web sep 14 2023 may 6th 2018 download we chat for nokia java messenger app is an open source with lots of download we chat for nokia java phones features and can be used

pdf wechat for nokia java cyberlab sutd edu sg - May 18 2022

web wechat for nokia java multimedia messaging service jan 21 2021 the multimedia messaging service mms is regarded as the best of the breed of proven messaging