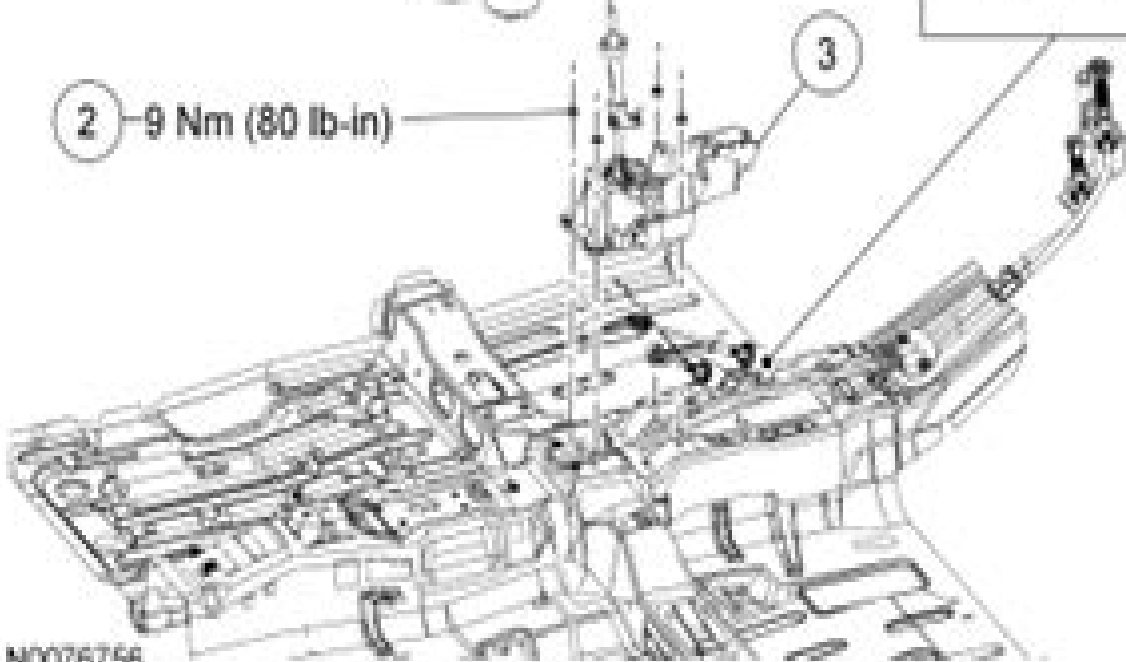


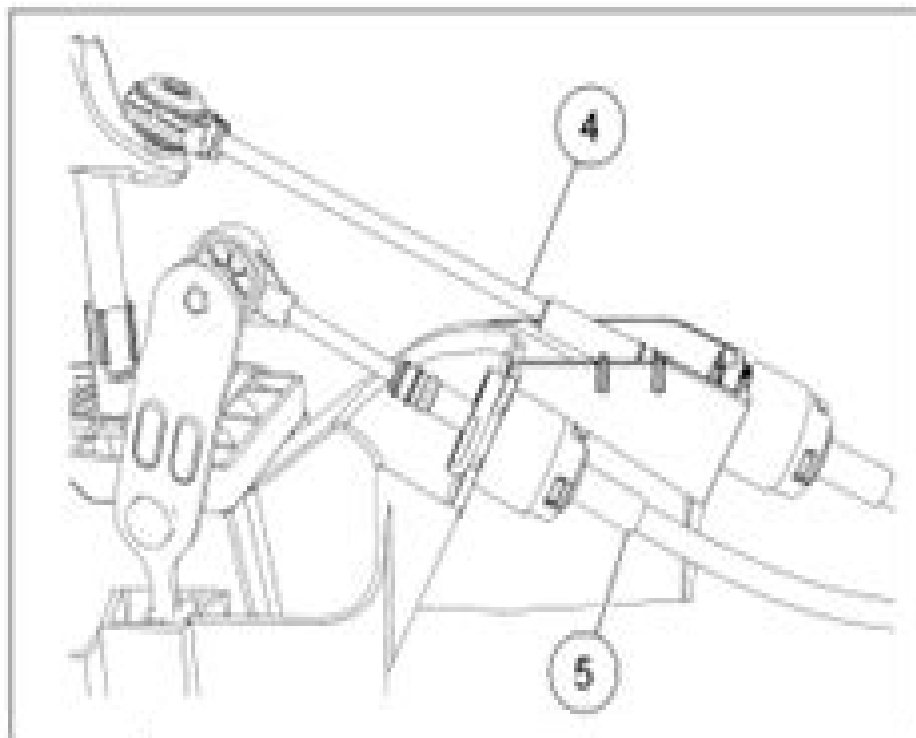
1 - 15 Nm (133 lb-in)



2 - 9 Nm (80 lb-in)



3



5

13 Ford Focus Manual Transmission Problems

**Mehrdad Ehsani, Yimin Gao, Sebastien
E. Gay, Ali Emadi**



13 Ford Focus Manual Transmission Problems:

Lemon-Aid New and Used Cars and Trucks 2007-2017 Phil Edmonston,2017-03-11 Steers buyers through the the confusion and anxiety of new and used vehicle purchases like no other car and truck book on the market Dr Phil along with George Iny and the Editors of the Automobile Protection Association pull no punches Lemon-Aid New and Used Cars and Trucks 2007-2018 Phil Edmonston,2018-02-03 Steers buyers through the the confusion and anxiety of new and used vehicle purchases like no other car and truck book on the market Dr Phil along with George Iny and the Editors of the Automobile Protection Association pull no punches **Lemon-Aid New Cars and Trucks 2013** Phil Edmonston,2012-12-01 Canada s automotive Dr Phil says there s never been a better time to buy a new car or truck thanks to a stronger Canadian dollar a worldwide recession driving prices downward and a more competitive Japanese auto industry that s still reeling from a series of natural disasters **Lemon-Aid New and Used Cars and Trucks 1990-2016** Phil Edmonston,2015-11-21 This book steers buyers through the the confusion and anxiety of new and used vehicle purchases unlike any other car and truck book on the market Dr Phil Canada s best known automotive expert for more than forty five years pulls no punches *Lemon-Aid Used Cars and Trucks 2012-2013* Phil Edmonston,2012-05-19 A guide to buying a used car or minivan features information on the strengths and weaknesses of each model a safety summary recalls warranties and service tips Automotive Audits D. H. Stamatis,2021-03-15 This book addresses the essentials of an automotive audit which is required by all automotive suppliers world wide They are based on customer specific requirements ISO standards and Industry specifications This book covers both the mandated documents and records that are necessary for compliance with an extensive discussion on Layered Process Audits and distance auditing The book addresses the six standards for certification in one volume It explains why and how an effective audit should be carried out It identifies the key indicators for a culture change with an audit explains the process audit at length discusses the rationale for Layered Process audits and summarizes all the mandatory documents and records for all standards and requirements The book covers the issue of risk in auditing and emphasizes the role of a checklist in the preparation process This book is for those that conduct audits those that are interested in auditing and those being audited It specifically addresses automotive OEMs and their supplier base but is also of interest to anyone wanting information on auditing **Intelligent Problem Solving. Methodologies and Approaches** Rasiah Logananthara,Günther Palm,Moonis Ali,2003-07-31 The focus of the papers presented in these proceedings is on employing various methodologies and approaches for solving real life problems Although the mechanisms that the human brain employs to solve problems are not yet completely known we do have good insight into the functional processing performed by the human mind On the basis of the understanding of these natural processes scientists in the field of applied intelligence have developed multiple types of artificial processes and have employed them successfully in solving real life problems The types of approaches used to solve problems are dependant on both the nature of the problem and the expected outcome While knowledge based systems are

useful for solving problems in well understood domains with relatively stable environments the approach may fail when the domain knowledge is either not very well understood or changing rapidly The techniques of data discovery through data mining will help to alleviate some problems faced by knowledge based approaches to solving problems in such domains Research and development in the area of artificial intelligence are influenced by opportunity needs and the availability of resources The rapid advancement of Internet technology and the trend of increasing bandwidths provide an opportunity and a need for intelligent information processing thus creating an excellent opportunity for agent based computations and learning Over 40% of the papers appearing in the conference proceedings focus on the area of machine learning and intelligent agents clear evidence of growing interest in this area

Focus On: 100 Most Popular Sedans Wikipedia contributors, [Lemon-Aid](#) Phil Edmonston,2005-12 New car and minivan rating guide **Daily Graphic** Ransford Tetteh,2008-12-04

Consumer Reports Used Car Buying Guide 2003 Consumer Reports Books,2003-02-14 The ultimate used car guide lists the best and worst used cars summarizes the marketplace shares advice on web shopping discusses author insurance and shares tips on buying and selling Original

Advances in Human Aspects of Transportation: Part III Neville Stanton,Steven Landry,Giuseppe Di Bucchianico,Andrea Vallicelli,2022-07-19 Human Factors and Ergonomics have made a considerable contribution to the research design development operation and analysis of transportation systems which includes road and rail vehicles and their complementary infrastructure aviation and maritime transportation This book presents recent advances in the Human Factors aspects of Transportation These advances include accident analysis automation of vehicles comfort distraction of drivers understanding of distraction and how to avoid it environmental concerns in vehicle systems design intelligent transport systems methodological developments new systems and technology observational and case studies safety situation awareness skill development and training warnings and workload This book brings together the most recent human factors work in the transportation domain including empirical research human performance and other types of modeling analysis and development The issues facing engineers scientists and other practitioners of human factors in transportation research are becoming more challenging and more critical The common theme across these sections is that they deal with the intersection of the human and the system Moreover many of the chapter topics cross section boundaries for instance by focusing on function allocation in NextGen or on the safety benefits of a tower controller tool This is in keeping with the systemic nature of the problems facing human factors experts in rail and road aviation and maritime research it is becoming increasingly important to view problems not as isolated issues that can be extracted from the system environment but as embedded issues that can only be understood as a part of an overall system

The Definitive Plymouth Barracuda and Dodge Challenger Guide: 1970-1974 Scott Ross,2016-06-15 The 1970 1974 Plymouth Barracudas and Dodge Challengers are compact lightweight and extremely powerful pony cars some are considered to be the greatest Mopar muscle cars of the era The platform known as the E Body for this generation was

Chrysler's response to the competition from the Ford Mustang and Chevy Camaro Today the E Body Barracudas and Challengers are some of the most valuable and popular muscle cars ever built In *The Definitive Plymouth Barracuda and Dodge Challenger Guide 1970-1974* seasoned journalist Scott Ross has unearthed new information from the key personnel involved in designing engineering and building these brash muscle cars Ross provides comprehensive engine transmission and interior options as well as essential trim package and color code information You learn the bottom line on original equipment packages and options Ross covers Special Edition R T Gran Coupe and Rapid Transit System packages And of course the preeminent models in the lineup Hemi Cuda Challenger 440 six pack AAR Cuda and Challenger TA are covered in extensive detail The large option list and which options were available on which cars is covered in great detail which will greatly assist you with authentication Plymouth Barracudas and Dodge Challengers are some of the most powerful and valuable Mopar muscle cars ever built If you have been searching for the comprehensive story and vital option information for these classic Mopar muscle cars you don't need to look any further

Lemon-Aid Used Cars and Trucks 2009-2010 Phil Edmonston, 2009-02-16 For the first time in one volume Phil Edmonston Canada's automotive Dr Phil covers all used vehicles packing this guide with insider tips to help the consumer make the safest and cheapest choice possible from cars and trucks of the past 25 years

Alternative Fuels and Advanced Vehicle Technologies for Improved Environmental Performance Richard Folkson, 2014-03-19 Most vehicles run on fossil fuels and this presents a major emissions problem as demand for fuel continues to increase *Alternative Fuels and Advanced Vehicle Technologies* gives an overview of key developments in advanced fuels and vehicle technologies to improve the energy efficiency and environmental impact of the automotive sector Part I considers the role of alternative fuels such as electricity alcohol and hydrogen fuel cells as well as advanced additives and oils in environmentally sustainable transport Part II explores methods of revising engine and vehicle design to improve environmental performance and fuel economy It contains chapters on improvements in design aerodynamics combustion and transmission Finally Part III outlines developments in electric and hybrid vehicle technologies and provides an overview of the benefits and limitations of these vehicles in terms of their environmental impact safety cost and design practicalities *Alternative Fuels and Advanced Vehicle Technologies* is a standard reference for professionals engineers and researchers in the automotive sector as well as vehicle manufacturers fuel system developers and academics with an interest in this field Provides a broad ranging review of recent research into advanced fuels and vehicle technologies that will be instrumental in improving the energy efficiency and environmental impact of the automotive sector Reviews the development of alternative fuels more efficient engines and powertrain technologies as well as hybrid and electric vehicle technologies

Used Car Buying Guide 2004 Consumer Reports, 2004-03-02 This trustworthy guide has step by step advice on used cars from selection to shopping strategies vehicle inspection negotiation techniques and closing the deal Also includes details about all checks performances and how to find a good mechanic

Modern Electric, Hybrid

Electric, and Fuel Cell Vehicles Mehrdad Ehsani, Yimin Gao, Sebastien E. Gay, Ali Emadi, 2004-12-20 Air quality is deteriorating the globe is warming and petroleum resources are decreasing The most promising solutions for the future involve the development of effective and efficient drive train technologies This comprehensive volume meets this challenge and opportunity by integrating the wealth of disparate information found in scattered papers *Automobile Book 2002* Consumer guide, 2002 This 2002 edition of the only complete new car buying guide includes profiles and photos of new models retail and dealer invoice prices mileage ratings warranties and safety features Also includes consumer tips on shopping leasing lemon laws insurance and much more *Focus on Farming*, 1997 **Popular Science**, 2004-09 Popular Science gives our readers the information and tools to improve their technology and their world The core belief that Popular Science and our readers share The future is going to be better and science and technology are the driving forces that will help make it better

Unveiling the Power of Verbal Art: An Emotional Sojourn through **13 Ford Focus Manual Transmission Problems**

In a global inundated with screens and the cacophony of quick interaction, the profound energy and emotional resonance of verbal art usually fade into obscurity, eclipsed by the regular onslaught of noise and distractions. However, set within the lyrical pages of **13 Ford Focus Manual Transmission Problems**, a charming perform of fictional splendor that pulses with natural feelings, lies an wonderful journey waiting to be embarked upon. Written with a virtuoso wordsmith, that exciting opus books visitors on a psychological odyssey, softly revealing the latent potential and profound impact stuck within the elaborate web of language. Within the heart-wrenching expanse of the evocative examination, we shall embark upon an introspective exploration of the book is main themes, dissect its captivating publishing design, and immerse ourselves in the indelible impact it leaves upon the depths of readers souls.

https://forums.acdsystems.com/public/detail/HomePages/1993_vulcan_88_1500_service_manual.pdf

Table of Contents 13 Ford Focus Manual Transmission Problems

1. Understanding the eBook 13 Ford Focus Manual Transmission Problems
 - The Rise of Digital Reading 13 Ford Focus Manual Transmission Problems
 - Advantages of eBooks Over Traditional Books
2. Identifying 13 Ford Focus Manual Transmission Problems
 - Exploring Different Genres
 - Considering Fiction vs. Non-Fiction
 - Determining Your Reading Goals
3. Choosing the Right eBook Platform
 - Popular eBook Platforms
 - Features to Look for in an 13 Ford Focus Manual Transmission Problems
 - User-Friendly Interface
4. Exploring eBook Recommendations from 13 Ford Focus Manual Transmission Problems
 - Personalized Recommendations

- 13 Ford Focus Manual Transmission Problems User Reviews and Ratings
- 13 Ford Focus Manual Transmission Problems and Bestseller Lists
- 5. Accessing 13 Ford Focus Manual Transmission Problems Free and Paid eBooks
 - 13 Ford Focus Manual Transmission Problems Public Domain eBooks
 - 13 Ford Focus Manual Transmission Problems eBook Subscription Services
 - 13 Ford Focus Manual Transmission Problems Budget-Friendly Options
- 6. Navigating 13 Ford Focus Manual Transmission Problems eBook Formats
 - ePub, PDF, MOBI, and More
 - 13 Ford Focus Manual Transmission Problems Compatibility with Devices
 - 13 Ford Focus Manual Transmission Problems Enhanced eBook Features
- 7. Enhancing Your Reading Experience
 - Adjustable Fonts and Text Sizes of 13 Ford Focus Manual Transmission Problems
 - Highlighting and Note-Taking 13 Ford Focus Manual Transmission Problems
 - Interactive Elements 13 Ford Focus Manual Transmission Problems
- 8. Staying Engaged with 13 Ford Focus Manual Transmission Problems
 - Joining Online Reading Communities
 - Participating in Virtual Book Clubs
 - Following Authors and Publishers 13 Ford Focus Manual Transmission Problems
- 9. Balancing eBooks and Physical Books 13 Ford Focus Manual Transmission Problems
 - Benefits of a Digital Library
 - Creating a Diverse Reading Collection 13 Ford Focus Manual Transmission Problems
- 10. Overcoming Reading Challenges
 - Dealing with Digital Eye Strain
 - Minimizing Distractions
 - Managing Screen Time
- 11. Cultivating a Reading Routine 13 Ford Focus Manual Transmission Problems
 - Setting Reading Goals 13 Ford Focus Manual Transmission Problems
 - Carving Out Dedicated Reading Time
- 12. Sourcing Reliable Information of 13 Ford Focus Manual Transmission Problems
 - Fact-Checking eBook Content of 13 Ford Focus Manual Transmission Problems

- Distinguishing Credible Sources
- 13. Promoting Lifelong Learning
 - Utilizing eBooks for Skill Development
 - Exploring Educational eBooks
- 14. Embracing eBook Trends
 - Integration of Multimedia Elements
 - Interactive and Gamified eBooks

13 Ford Focus Manual Transmission Problems Introduction

In this digital age, the convenience of accessing information at our fingertips has become a necessity. Whether its research papers, eBooks, or user manuals, PDF files have become the preferred format for sharing and reading documents. However, the cost associated with purchasing PDF files can sometimes be a barrier for many individuals and organizations. Thankfully, there are numerous websites and platforms that allow users to download free PDF files legally. In this article, we will explore some of the best platforms to download free PDFs. One of the most popular platforms to download free PDF files is Project Gutenberg. This online library offers over 60,000 free eBooks that are in the public domain. From classic literature to historical documents, Project Gutenberg provides a wide range of PDF files that can be downloaded and enjoyed on various devices. The website is user-friendly and allows users to search for specific titles or browse through different categories. Another reliable platform for downloading 13 Ford Focus Manual Transmission Problems free PDF files is Open Library. With its vast collection of over 1 million eBooks, Open Library has something for every reader. The website offers a seamless experience by providing options to borrow or download PDF files. Users simply need to create a free account to access this treasure trove of knowledge. Open Library also allows users to contribute by uploading and sharing their own PDF files, making it a collaborative platform for book enthusiasts. For those interested in academic resources, there are websites dedicated to providing free PDFs of research papers and scientific articles. One such website is Academia.edu, which allows researchers and scholars to share their work with a global audience. Users can download PDF files of research papers, theses, and dissertations covering a wide range of subjects. Academia.edu also provides a platform for discussions and networking within the academic community. When it comes to downloading 13 Ford Focus Manual Transmission Problems free PDF files of magazines, brochures, and catalogs, Issuu is a popular choice. This digital publishing platform hosts a vast collection of publications from around the world. Users can search for specific titles or explore various categories and genres. Issuu offers a seamless reading experience with its user-friendly interface and allows users to download PDF files for offline reading. Apart from dedicated platforms, search engines also play a crucial role in finding free PDF files. Google, for

instance, has an advanced search feature that allows users to filter results by file type. By specifying the file type as "PDF," users can find websites that offer free PDF downloads on a specific topic. While downloading 13 Ford Focus Manual Transmission Problems free PDF files is convenient, it's important to note that copyright laws must be respected. Always ensure that the PDF files you download are legally available for free. Many authors and publishers voluntarily provide free PDF versions of their work, but it's essential to be cautious and verify the authenticity of the source before downloading 13 Ford Focus Manual Transmission Problems. In conclusion, the internet offers numerous platforms and websites that allow users to download free PDF files legally. Whether it's classic literature, research papers, or magazines, there is something for everyone. The platforms mentioned in this article, such as Project Gutenberg, Open Library, Academia.edu, and Issuu, provide access to a vast collection of PDF files. However, users should always be cautious and verify the legality of the source before downloading 13 Ford Focus Manual Transmission Problems any PDF files. With these platforms, the world of PDF downloads is just a click away.

FAQs About 13 Ford Focus Manual Transmission Problems Books

What is a 13 Ford Focus Manual Transmission Problems PDF? A PDF (Portable Document Format) is a file format developed by Adobe that preserves the layout and formatting of a document, regardless of the software, hardware, or operating system used to view or print it. **How do I create a 13 Ford Focus Manual Transmission Problems PDF?** There are several ways to create a PDF: Use software like Adobe Acrobat, Microsoft Word, or Google Docs, which often have built-in PDF creation tools. Print to PDF: Many applications and operating systems have a "Print to PDF" option that allows you to save a document as a PDF file instead of printing it on paper. Online converters: There are various online tools that can convert different file types to PDF. **How do I edit a 13 Ford Focus Manual Transmission Problems PDF?** Editing a PDF can be done with software like Adobe Acrobat, which allows direct editing of text, images, and other elements within the PDF. Some free tools, like PDFescape or Smallpdf, also offer basic editing capabilities. **How do I convert a 13 Ford Focus Manual Transmission Problems PDF to another file format?** There are multiple ways to convert a PDF to another format: Use online converters like Smallpdf, Zamzar, or Adobe Acrobat's export feature to convert PDFs to formats like Word, Excel, JPEG, etc. Software like Adobe Acrobat, Microsoft Word, or other PDF editors may have options to export or save PDFs in different formats. **How do I password-protect a 13 Ford Focus Manual Transmission Problems PDF?** Most PDF editing software allows you to add password protection. In Adobe Acrobat, for instance, you can go to "File" -> "Properties" -> "Security" to set a password to restrict access or editing capabilities. Are there any free alternatives to Adobe Acrobat for working with PDFs? Yes, there are many free alternatives for working with PDFs, such as: LibreOffice: Offers PDF editing

features. PDFsam: Allows splitting, merging, and editing PDFs. Foxit Reader: Provides basic PDF viewing and editing capabilities. How do I compress a PDF file? You can use online tools like Smallpdf, ILovePDF, or desktop software like Adobe Acrobat to compress PDF files without significant quality loss. Compression reduces the file size, making it easier to share and download. Can I fill out forms in a PDF file? Yes, most PDF viewers/editors like Adobe Acrobat, Preview (on Mac), or various online tools allow you to fill out forms in PDF files by selecting text fields and entering information. Are there any restrictions when working with PDFs? Some PDFs might have restrictions set by their creator, such as password protection, editing restrictions, or print restrictions. Breaking these restrictions might require specific software or tools, which may or may not be legal depending on the circumstances and local laws.

Find 13 Ford Focus Manual Transmission Problems :

[1993 vulcan 88 1500 service manual](#)

[1993 toyota corolla owners manual](#)

[1994 acura vigor distributor manual](#)

[1993 johnson 50 hp outboard manual](#)

[1994 camaro z28 service manual](#)

[1994 cadillac ss repair manual](#)

[1993 dodge stealth manual transmission](#)

[1994 honda accord shop manua](#)

[1993 gmc 350 sierra repair manual](#)

[1994 gmc jimmy repair](#)

[1993 yamaha big bear service manual](#)

[1993 honda accord radio code reset](#)

[1994 chevy camaro manual](#)

[1994 cadillac deville service manual brake lin](#)

[1993 cadillac deville repair manual](#)

13 Ford Focus Manual Transmission Problems :

anime incatenate la trilogia volume unico italian pdf book - Oct 04 2022

web anime incatenate la trilogia volume unico italian pdf is available in our book collection an online access to it is set as

public so you can download it instantly our book servers

anime incatenate la trilogia volume unico italian coulton waugh - Feb 25 2022

web download and install the anime incatenate la trilogia volume unico italian it is utterly simple then back currently we extend the link to buy and create bargains to download

anime incatenate la trilogia volume unico italian pdf - Sep 03 2022

web jun 27 2023 anime incatenate la trilogia volume unico italian pdf is available in our book collection an online access to it is set as public so you can download it instantly our books collection saves in multiple countries allowing you to

[anime incatenate la trilogia volume unico italian pdf](#) - Aug 02 2022

web may 21 2023 their favorite novels like this anime incatenate la trilogia volume unico italian but end up in malicious downloads rather than reading a good book with a cup

anime incatenate la trilogia volume unico italian edition - Jul 13 2023

web anime incatenate la trilogia volume unico italian edition ebook ray michela fiorletta alessandra amazon co uk kindle store

anime incatenate la trilogia volume unico italian pdf - Apr 29 2022

web jun 4 2023 to admittance this on line revelation anime incatenate la trilogia volume unico italian as capably as review them wherever you are now dominic l a casey

anime incatenate la trilogia volume unico italian book wp - Mar 09 2023

web within the pages of anime incatenate la trilogia volume unico italian a charming literary value filled with organic thoughts lies an immersive symphony waiting to be embraced

anime incatenate la trilogia volume unico italian edition - Apr 10 2023

web lee ahora en digital con la aplicación gratuita kindle anime incatenate la trilogia volume unico italian edition ebook ray michela fiorletta alessandra amazon es

anime incatenate la trilogia volume unico italian edition by - Nov 05 2022

web jun 8 2023 anime incatenate la trilogia volume unico italian edition by michela ray il camino del viandante è un libro corso ovvero un opera posita di più parti dove in

[anime incatenate la trilogia volume unico italian uniport edu](#) - Dec 26 2021

web jun 14 2023 anime incatenate la trilogia volume unico italian 1 9 downloaded from uniport edu ng on june 14 2023 by guest anime incatenate la trilogia volume unico

anime incatenate film 1949 comingsoon it - Jul 01 2022

web anime incatenate è un film di genere drammatico del 1949 diretto da jean paul le chanois con jean debu-court e marcelle

geniat durata 115 minuti durata 115 minuti

anime incatenate la trilogia volume unico italian edition - Aug 14 2023

web jun 12 2019 anime incatenate la trilogia volume unico italian edition kindle edition by ray michela fiorletta alessandra download it once and read it on your

amazon it recensioni clienti anime incatenate la trilogia - Jun 12 2023

web consultare utili recensioni cliente e valutazioni per anime incatenate la trilogia volume unico su amazon it consultare recensioni obiettive e imparziali sui prodotti fornite dagli

anime incatenate la trilogia volume unico copy uniport edu - Nov 24 2021

web jul 30 2023 afterward this one merely said the anime incatenate la trilogia volume unico is universally compatible next any devices to read la ragazza carla a girl

anime incatenate la trilogia volume unico italian copy - Oct 24 2021

web anime incatenate la trilogia volume unico italian but end up in harmful downloads rather than enjoying a fine pdf once a cup of coffee in the afternoon otherwise they

anime incatenate la trilogia volume unico italian - Sep 22 2021

web right here we have countless book anime incatenate la trilogia volume unico italian and collections to check out we additionally come up with the money for variant types

[anime incatenate la trilogia volume unico michela ray](#) - May 11 2023

web jun 12 2019 jason lewis è un detective della omicidi con un passato nel corpo dei marines abituato alla disciplina e al rigore è un uomo dal carattere forte schietto e

anime incatenate la trilogia volume unico italian edition by - Jan 27 2022

web incatenate la trilogia volume unico italian edition by michela ray by online in lieu than delighting a fine text with a cup of tea in the morning instead they are facing with some

anime incatenate wikipedia - Dec 06 2022

web anime incatenate la belle que voil en anime incatenate su bfi film tv database british film institute questa pagina è stata modificata per l ultima volta il 6 feb

anime incatenate la trilogia volume unico italian - Mar 29 2022

web anime incatenate la trilogia volume unico italian is universally compatible later any devices to read the castle of fratta ippolito nievo 1974 the first translated part by

anime incatenate la trilogia volume unico italian edition - Feb 08 2023

web achetez et téléchargez ebook anime incatenate la trilogia volume unico italian edition boutique kindle erotisme amazon

fr

anime incatenate la trilogia volume unico italian pdf - May 31 2022

web aug 2 2023 could enjoy now is anime incatenate la trilogia volume unico italian below the story of my purity francesco pacifico 2013 05 02 the story of my purity by

anime incatenate la trilogia volume unico italian edition - Jan 07 2023

web amazon com anime incatenate la trilogia volume unico italian edition ebook ray michela fiorletta alessandra tienda kindle

rslogix 5000 tutorial contact and coil - Mar 26 2022

web rslogix 5000 tutorial this is a free introductory tutorial on how to create an automation program for a controllogix or compactlogix processor using the rslogix 5000 programming environment from rockwell automation when i originally wrote this tutorial rockwell automation had graciously offered a 90 day demo of rslogix 5000 as a free

user s manual rslogix 5000 pdf documents and e books - Feb 22 2022

web overview download view user s manual rslogix 5000 pdf as pdf for free more details words 39 066 pages 218 preview full text related documents more documents from dennis brenes rodríguez user s manual rslogix 5000 pdf ylyxw709kenm

studio 5000 logix designer factorytalk rockwell automation - Jun 28 2022

web workflow automation to save time and reduce labor studio 5000 logix designer sdk introduces modern workflow automation capabilities to studio 5000 logix designer enhance your efficiency productivity and accuracy when scripting manual click by click tasks using the modern api

rockwell automation logix 5000 programming manual - Nov 02 2022

web view and download rockwell automation logix 5000 programming manual online controllers major minor and i o faults logix 5000 controller pdf manual download

rockwell automation allen bradley logix5000 programming manual - Jul 30 2022

web view and download rockwell automation allen bradley logix5000 programming manual online controllers security allen bradley logix5000 controller pdf manual download also for allen bradley compactlogix 1769 allen bradley controllogix 1756 allen bradley softlogix 1789 allen bradley

[the logix5000 essential manuals plcdev](#) - Apr 26 2022

web the allen bradley logix5000 family controllogix compactlogix flexlogix softlogix has some very good manuals if you are just starting out or need a refresher here are the key manuals and the order i would read them if you have rslogix 5000 installed then you will find some of these in the help online books menu

logix5000 controllers general instructions reference manual - Mar 06 2023

web logix5000 controllers general instructions catalog numbers 1756 controllogix 1768 compactlogix 1769 compactlogix 1789 softlogix 1794 flexlogix

logix 5000 controllers data access rockwell automation - Sep 12 2023

web in the manual and the reason for the change for example the addition of new supported hardware a software design change or additional reference material would result in changes to all of the topics that deal with that subject change topic new studio 5000 logix designer branding studio 5000 environment on page 9 new or enhanced features *rockwell automation rslogix 5000 user manual* - Dec 03 2022

web use this manual to understand how to best use the features in rslogix 5000 software version 16 fuzzydesigner this manual describes the necessary tasks to build fuzzy systems as block diagrams from components of the fuzzydesigner component library and use fuzzydesigner functions to complete the project

logix 5000 controllers common procedures programming manual - Aug 11 2023

web 1756 controllogix 1756 guardlogix 1769 compactlogix 1769 compact guardlogix 1789 softlogix 5069 compactlogix studio 5000 logix emulate this publication links to a collection of programming manuals that describe how you can use procedures that are common to all logix5000 controller projects programming manual publication number

logix 5000 controllers information and status 1756 pm015n en p - Apr 07 2023

web this manual describes how logix 5000 controllers use connections with other devices this manual also describes status keywords and how to get controller information such as memory resources this manual is one of a set of related manuals that show common procedures for programming and operating logix 5000 controllers

logix 5000 controllers ladder diagram rockwell automation - Jun 09 2023

web this manual shows how to program logix 5000 controllers with the relay ladder programming language this manual is one of a set of related manuals that show common procedures for programming and operating logix 5000 controllers for a complete list of common procedures manuals refer to the logix 5000

logix5000 controllers common procedures - Feb 05 2023

web the logix operating system such as compactlogix controllers controllogix controllers flexlogix controllers softlogix controllers this manual works together with user manuals for your specific type of controller the user manuals cover tasks such as place and configure i o communicate with devices over various

literature library rockwell automation - May 08 2023

web literature library rockwell automation

a beginner s tutorial to rockwell automation s studio 5000 logix - Oct 01 2022

web jan 26 2020 studio 5000 logix designer formerly known as rslogix 5000 is used to program the most powerful allen

bradley plcs technically pacs including the controllogix and compactlogix controllers a beginner s tutorial to rockwell automation s studio 5000 logix designer

controllogix guardlogix controllers technical documentation - Jan 04 2023

web need manuals to help you install configure and use your controllogix and guardlogix large control systems you can find it here controllogix 5580 and guardlogix 5580 controllers

plclogix user guide - May 28 2022

web it will allow you to practice and develop your programming skills using the industry standard rslogix 5000 plc programming software it provides users with the ability to write edit and debug programs written using a tag based format rslogix 5000 uses tags which is a powerful method of programming plcs but also more complex

logix 5000 controllers tasks programs and routines rockwell automation - Oct 13 2023

web for programming and operating logix 5000 controllers for a complete list of common procedures manuals refer to the logix 5000 controllers common procedures programming manual publication 1756 pm001 the term logix 5000 controller refers to any controller based on the logix 5000 operating system

download center rockwell automation - Aug 31 2022

web download and install these studio 5000 logix designer components and use them to decrease programming time of your industrial control system access add on profiles application code libraries design and develop your projects faster we have built libraries of standard application code to help easily integrate automation products into systems

logix 5000 controllers i o and tag data rockwell automation - Jul 10 2023

web this manual shows how to access i o and tag data in logix 5000 controllers this manual is one of a set of related manuals that show common procedures for programming and operating logix 5000 controllers for a complete list of common procedures manuals refer to the logix 5000 controllers common procedures programming manual publication

via et veritas et vita wikipedia - Nov 25 2022

web the motto as it appears on the arms of the city of arad romania via et veritas et vita classical latin 'wɪ a et 'we:rɪta:s et 'wi:ta ecclesiastical latin 'vi a et 'veritas et

quid est veritas io sono la via la verita e la vi 2023 - Nov 13 2021

web quid est veritas io sono la via la verita e la vi quid est veritas io sono la via la verita e la vi 2 downloaded from old restorativejustice org on 2022 10 12 by guest

quid est veritas io sono la via la verita e la vi 2023 - Dec 15 2021

web quid est veritas io sono la via la verita e la vi quid est veritas io sono la via la verita e la vi 4 downloaded from rjonline org on 2020 04 06 by guest quid est

quid est veritas io sono la via la verita e la vi - May 20 2022

web quid est veritas io sono la via la verita e la vi 2 downloaded from donate pfi org on 2023 01 18 by guest lecito

domandarsi perch il credo della chiesa cattolica ne fa unico

translation of c est la vérité in english reverso context - Sep 23 2022

web because it s true sherlock je pense que c est la vérité absolue i think it is the absolute truth keeton voulait savoir si c est la vérité keeton wanted to know if this is true mais

download solutions quid est veritas io sono la via la verita e - Oct 25 2022

web quid est veritas io sono la via la verita e la vi pacific shipper feb 03 2022 everest basecamp trek mar 16 2023 this book on the very popular everest trek via gokyo

quid est veritas io sono la via la verita e la vi download only - Sep 04 2023

web quid est veritas io sono la via la verita e la vi quid est veritas io sono la via la verita e la vi 2 downloaded from nysm pfi org on 2020 04 12 by guest la filosofia dopo

quid est veritas io sono la via la verita e la vi book - Jul 22 2022

web quid est veritas io sono la via la verita e la vi quid est veritas io sono la via la verita e la vi 2 downloaded from nysm pfi org on 2021 04 09 by guest raccolta di

quid est veritas io sono la via la verità e la vita amazon it - Aug 03 2023

web una visione nuova trasgressiva ma fedele del vangelo un modo innovativo e rivoluzionario di avvicinarsi alla spiritualità un pugno nello stomaco forte e deciso questo è la nuova

vi dico la verita youtube - Aug 23 2022

web about press copyright contact us creators advertise developers terms privacy policy safety how youtube works test new features press copyright contact us creators

quid est veritas io sono la via la verita e la vi - Jun 20 2022

web quid est veritas io sono la via la verita e la vi quid est veritas io sono la via la verita e la vi 2 downloaded from nysm pfi org on 2022 10 04 by guest fine il ricavato

quid est veritas io sono la via la verita e la vi pdf - Feb 26 2023

web quid est veritas io sono la via la verita e la vi alle pendici dei colli alban on the slopes of the alban hills jul 02 2022 this volume results from the conference

quid est veritas io sono la via la verità e la vita by salvatore - Jan 28 2023

web est veritas quid est veritas quid est veritas 2008 io sono la via la verità e la vita 2018 le migliori dagli quid est veritas io sono la via la verità e la vita by salvatore

quid est veritas io sono la via la verita e la vi copy - Apr 30 2023

web quid est veritas io sono la via la verita e la vi quid est veritas io sono la via la verita e la vi 2 downloaded from nysm pfi org on 2020 10 27 by guest aspettavamo

quid est veritas io sono la via la verita e la vi book - Mar 18 2022

web quid est veritas io sono la via la verita e la vi quid est veritas io sono la via la verita e la vi 3 downloaded from nysm pfi org on 2023 08 02 by guest il bandolo

quid est veritas io sono la via la verità e la vita - Jul 02 2023

web questo è la nuova opera di salvatore savasta in linea con la sua idea che le religioni ci allontanino dalla verità quid est veritas savasta si pone la stessa domanda che

quid est veritas io sono la via la verita e la vi - Jan 16 2022

web quid est veritas io sono la via la verita e la vi quid est veritas io sono la via la verita e la vi 2 downloaded from donate pfi org on 2020 04 20 by guest la speranza

quid est veritas io sono la via la verita e la vi pdf - Apr 18 2022

web est veritas io sono la via la verita e la vi as you such as by searching the title publisher or authors of guide you in reality want you can discover them rapidly in the

quid est veritas io sono la via la verita e la vi pdf - Feb 14 2022

web quid est veritas io sono la via la verita e la vi quid est veritas io sono la via la verita e la vi 2 downloaded from donate pfi org on 2022 02 23 by guest the book of

quid est veritas io sono la via la verita e la vi book - Oct 05 2023

web quid est veritas io sono la via la verita e la vi la somma contro i gentili libro primo e secondo tommaso d aquino san 2000 raccolta di meditazioni e documenti secondo

quid est veritas io sono la via la verità e la vita by salvatore - Mar 30 2023

web confronto e il dialogo quid est veritas io sono la via la verità e la vita 6 apr 2017 da salvatore savasta 0 99 una visione nuova trasgressiva ma l unica differenza la fa la

quid est veritas io sono la via la verità e la vita goodreads - Jun 01 2023

web quid est veritas book read reviews from world s largest community for readers una visione nuova trasgressiva ma fedele del vangelo un modo innovativ

io sono la via e la verità e la vita giovanni 14 vita di gesù - Dec 27 2022

web io sono la via e la verità e la vita risponde gesù solo chi ripone fede in lui accetta i suoi insegnamenti e imita il suo esempio può entrare nella dimora celeste di suo padre infatti

