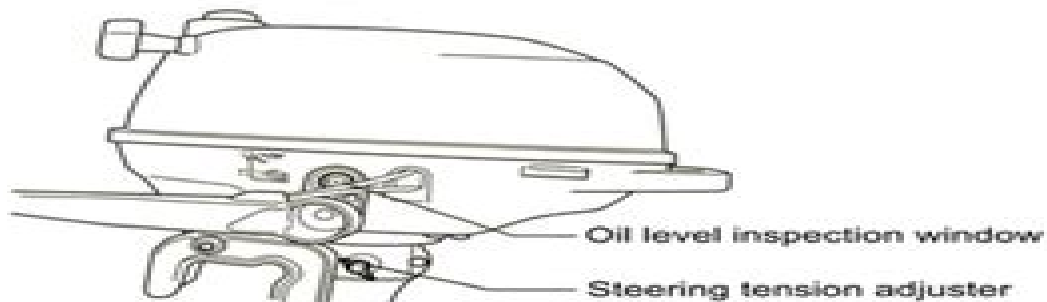
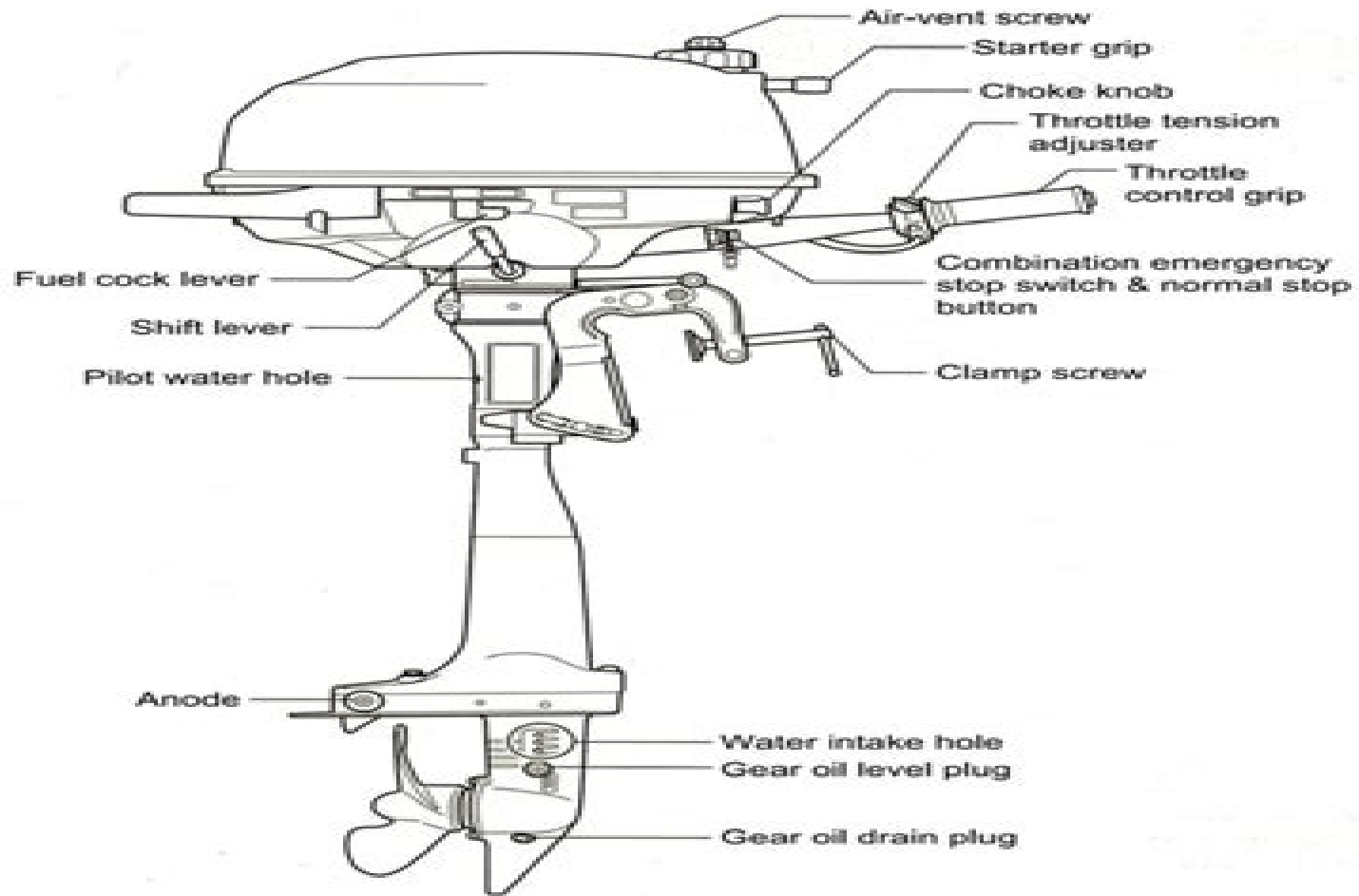


# LOCATION OF PARTS



# 2015 Suzuki Outboard Df 225 Service Manual

**SJ Ball**



**2015 Suzuki Outboard Df 225 Service Manual:**

**Suzuki Outboard Motor, DT7.5-9** ,1976     Suzuki Outboard Motor, DT9.9 ,1977     **Suzuki Outboard Motor DT 50/60/65** ,1987     **Suzuki Outboard Motor** ,1980     **Suzuki Outboard Motor, DT50E** ,1977     Suzuki Outboard Motor, DT2 ,1976\*     **Suzuki** Suzuki, Motor Co. Ltd,1977     **Suzuki Outboard Motor, DT14-16** ,1977     Suzuki Outboard Motor, DT20-20E [and] DT25-25E ,1977     **Suzuki Outboard Motor** ,1987     *Suzuki DT25 Service Manual* Suzuki Motor Co,1976     **Seloc Suzuki Outboards 1988-99 Repair Manual** ,1999     **SELOC Suzuki Outboards** ,2005

Suzuki: Service Manual Suzuki Motor Corporation (Hamamatsu),     **Suzuki LT-F250 Service Manual** Suzuki Jidōsha Kōgyō Kabushiki Kaisha. Motorcycle Technical Service Department,1992     **Suzuki DF200E Owner's Service Manual** Suzuki Jidōsha Kōgyō Kabushiki Kaisha,1995     **Suzuki Service Manual** Suzuki Jidōsha Kōgyō Kabushiki Kaisha. Export Service Section,1971     **Suzuki Service Manual** Suzuki Jidosha Kogyo Kabusjiki Kaisha. International Service Department,197?     **Suzuki Service Manual T500-II** Suzuki Motor Co. Ltd,1969     Suzuki Service Manual Suzuki Jidōsha Kōgyō Kabushiki Kaisha. Export Service Section,1974

Delve into the emotional tapestry woven by Emotional Journey with in Dive into the Emotion of **2015 Suzuki Outboard Df 225 Service Manual** . This ebook, available for download in a PDF format ( \*), is more than just words on a page; itis a journey of connection and profound emotion. Immerse yourself in narratives that tug at your heartstrings. Download now to experience the pulse of each page and let your emotions run wild.

[https://forums.acdsystems.com/public/scholarship/HomePages/03\\_mean\\_streak\\_owners\\_manual.pdf](https://forums.acdsystems.com/public/scholarship/HomePages/03_mean_streak_owners_manual.pdf)

## **Table of Contents 2015 Suzuki Outboard Df 225 Service Manual**

1. Understanding the eBook 2015 Suzuki Outboard Df 225 Service Manual
  - The Rise of Digital Reading 2015 Suzuki Outboard Df 225 Service Manual
  - Advantages of eBooks Over Traditional Books
2. Identifying 2015 Suzuki Outboard Df 225 Service Manual
  - Exploring Different Genres
  - Considering Fiction vs. Non-Fiction
  - Determining Your Reading Goals
3. Choosing the Right eBook Platform
  - Popular eBook Platforms
  - Features to Look for in an 2015 Suzuki Outboard Df 225 Service Manual
  - User-Friendly Interface
4. Exploring eBook Recommendations from 2015 Suzuki Outboard Df 225 Service Manual
  - Personalized Recommendations
  - 2015 Suzuki Outboard Df 225 Service Manual User Reviews and Ratings
  - 2015 Suzuki Outboard Df 225 Service Manual and Bestseller Lists
5. Accessing 2015 Suzuki Outboard Df 225 Service Manual Free and Paid eBooks
  - 2015 Suzuki Outboard Df 225 Service Manual Public Domain eBooks
  - 2015 Suzuki Outboard Df 225 Service Manual eBook Subscription Services
  - 2015 Suzuki Outboard Df 225 Service Manual Budget-Friendly Options

6. Navigating 2015 Suzuki Outboard Df 225 Service Manual eBook Formats
  - ePub, PDF, MOBI, and More
  - 2015 Suzuki Outboard Df 225 Service Manual Compatibility with Devices
  - 2015 Suzuki Outboard Df 225 Service Manual Enhanced eBook Features
7. Enhancing Your Reading Experience
  - Adjustable Fonts and Text Sizes of 2015 Suzuki Outboard Df 225 Service Manual
  - Highlighting and Note-Taking 2015 Suzuki Outboard Df 225 Service Manual
  - Interactive Elements 2015 Suzuki Outboard Df 225 Service Manual
8. Staying Engaged with 2015 Suzuki Outboard Df 225 Service Manual
  - Joining Online Reading Communities
  - Participating in Virtual Book Clubs
  - Following Authors and Publishers 2015 Suzuki Outboard Df 225 Service Manual
9. Balancing eBooks and Physical Books 2015 Suzuki Outboard Df 225 Service Manual
  - Benefits of a Digital Library
  - Creating a Diverse Reading Collection 2015 Suzuki Outboard Df 225 Service Manual
10. Overcoming Reading Challenges
  - Dealing with Digital Eye Strain
  - Minimizing Distractions
  - Managing Screen Time
11. Cultivating a Reading Routine 2015 Suzuki Outboard Df 225 Service Manual
  - Setting Reading Goals 2015 Suzuki Outboard Df 225 Service Manual
  - Carving Out Dedicated Reading Time
12. Sourcing Reliable Information of 2015 Suzuki Outboard Df 225 Service Manual
  - Fact-Checking eBook Content of 2015 Suzuki Outboard Df 225 Service Manual
  - Distinguishing Credible Sources
13. Promoting Lifelong Learning
  - Utilizing eBooks for Skill Development
  - Exploring Educational eBooks
14. Embracing eBook Trends
  - Integration of Multimedia Elements

- Interactive and Gamified eBooks

### **2015 Suzuki Outboard Df 225 Service Manual Introduction**

2015 Suzuki Outboard Df 225 Service Manual Offers over 60,000 free eBooks, including many classics that are in the public domain. Open Library: Provides access to over 1 million free eBooks, including classic literature and contemporary works. 2015 Suzuki Outboard Df 225 Service Manual Offers a vast collection of books, some of which are available for free as PDF downloads, particularly older books in the public domain. 2015 Suzuki Outboard Df 225 Service Manual : This website hosts a vast collection of scientific articles, books, and textbooks. While it operates in a legal gray area due to copyright issues, its a popular resource for finding various publications. Internet Archive for 2015 Suzuki Outboard Df 225 Service Manual : Has an extensive collection of digital content, including books, articles, videos, and more. It has a massive library of free downloadable books. Free-eBooks 2015 Suzuki Outboard Df 225 Service Manual Offers a diverse range of free eBooks across various genres. 2015 Suzuki Outboard Df 225 Service Manual Focuses mainly on educational books, textbooks, and business books. It offers free PDF downloads for educational purposes. 2015 Suzuki Outboard Df 225 Service Manual Provides a large selection of free eBooks in different genres, which are available for download in various formats, including PDF. Finding specific 2015 Suzuki Outboard Df 225 Service Manual, especially related to 2015 Suzuki Outboard Df 225 Service Manual, might be challenging as theyre often artistic creations rather than practical blueprints. However, you can explore the following steps to search for or create your own Online Searches: Look for websites, forums, or blogs dedicated to 2015 Suzuki Outboard Df 225 Service Manual, Sometimes enthusiasts share their designs or concepts in PDF format. Books and Magazines Some 2015 Suzuki Outboard Df 225 Service Manual books or magazines might include. Look for these in online stores or libraries. Remember that while 2015 Suzuki Outboard Df 225 Service Manual, sharing copyrighted material without permission is not legal. Always ensure youre either creating your own or obtaining them from legitimate sources that allow sharing and downloading. Library Check if your local library offers eBook lending services. Many libraries have digital catalogs where you can borrow 2015 Suzuki Outboard Df 225 Service Manual eBooks for free, including popular titles. Online Retailers: Websites like Amazon, Google Books, or Apple Books often sell eBooks. Sometimes, authors or publishers offer promotions or free periods for certain books. Authors Website Occasionally, authors provide excerpts or short stories for free on their websites. While this might not be the 2015 Suzuki Outboard Df 225 Service Manual full book , it can give you a taste of the authors writing style. Subscription Services Platforms like Kindle Unlimited or Scribd offer subscription-based access to a wide range of 2015 Suzuki Outboard Df 225 Service Manual eBooks, including some popular titles.

## FAQs About 2015 Suzuki Outboard Df 225 Service Manual Books

How do I know which eBook platform is the best for me? Finding the best eBook platform depends on your reading preferences and device compatibility. Research different platforms, read user reviews, and explore their features before making a choice. Are free eBooks of good quality? Yes, many reputable platforms offer high-quality free eBooks, including classics and public domain works. However, make sure to verify the source to ensure the eBook credibility. Can I read eBooks without an eReader? Absolutely! Most eBook platforms offer web-based readers or mobile apps that allow you to read eBooks on your computer, tablet, or smartphone. How do I avoid digital eye strain while reading eBooks? To prevent digital eye strain, take regular breaks, adjust the font size and background color, and ensure proper lighting while reading eBooks. What the advantage of interactive eBooks? Interactive eBooks incorporate multimedia elements, quizzes, and activities, enhancing the reader engagement and providing a more immersive learning experience. 2015 Suzuki Outboard Df 225 Service Manual is one of the best book in our library for free trial. We provide copy of 2015 Suzuki Outboard Df 225 Service Manual in digital format, so the resources that you find are reliable. There are also many Ebooks of related with 2015 Suzuki Outboard Df 225 Service Manual. Where to download 2015 Suzuki Outboard Df 225 Service Manual online for free? Are you looking for 2015 Suzuki Outboard Df 225 Service Manual PDF? This is definitely going to save you time and cash in something you should think about.

### Find 2015 Suzuki Outboard Df 225 Service Manual :

**03 mean streak owners manual**

**0580 m j2014**

0580 22 ms 14

03 corvette owners manual

02 chevy impala repair manual

**03 yz450f repair manual**

**0455 22 may june 2013**

0460 11 m j 12 ms

04 yamaha raptor 50 repair manual

05 civic ex repair manual

**04 acura mdx repair manual 31037**

010 kombi auto transmission repair manual

- 03 honda accord gas gauge fuse
- 024 stihl chainsaw repair manual
- 04 hyundai terracan manual

### 2015 Suzuki Outboard Df 225 Service Manual :

A Disassembly Manual for the Winchester Models 62 and ... This book is illustrated with many photos and very detailed directions about how to takedown your Winchester 62 or 62A firearm. It will first outline the ... Winchester Model 62 Owners Manual Reproduction Made with high quality scans of original. Great information and a nice addition to your rifle. Good information but just the basics. Winchester Model 62A (Owners Manual) Winchester Model 62A (Owners Manual) The Smithy. Owners Manuals | Winchester Repeating Arms If you have misplaced the owner's manual originally provided with your firearm or safe, you can — in many cases — can find a digital copy here. Winchester 62A Rifle Service Manuals, Cleaning, Repair ... Feb 5, 2015 — Here are the full Disassembly Service Manuals of the Winchester Model 62A Rifle. You get step by step Pictures packed along with all the ... Winchester Model 62 Important Instructions Originally given with the purchase of any Model 62, this booklet provides instructions on how to put the gun together, assemble the bolt, fire the gun, ... 62a feeding/jamming/quality/reliability May 13, 2018 — You need to do a complete cleaning of the action, and since you are a novice at this you need a Service Manuals of the Winchester Model 62A ... products manuals PRODUCTS MANUALS. Here are the files (PDF) of the original Owner's Manuals : OVER/UNDER SHOTGUNS. CHOOSE, Supreme.pdf · Select.pdf. SEMI-AUTO SHOTGUNS. CHOOSE ... model 62 manual | Rimfire Central Firearm Forum Sep 30, 2020 — Went on the Winchester website for manuals and they do not show one for the model 62. Where can I find one? I am relatively new with guns, ... Garmin nuvi 350 3.5-Inch Portable GPS Navigator ... The nüvi 350 is a portable GPS navigator, traveler's reference, and digital entertainment system, all in one. View product demo (requires Flash). A simple ... nüvi® 350 The sleek, portable nüvi 350 is a GPS navigator, traveler's reference and digital entertainment system, all in one. It is your pocket-sized personal travel ... Garmin nuvi 350 3.5-Inch Portable GPS Navigator Garmin nuvi 350 3.5-Inch Portable GPS Navigator ; Item Number. 325758153447 ; Brand. Garmin ; Type. Vehicle/Bike/Pedestrian ; Est. delivery. Tue, Nov 28 - Sat, Dec ... Garmin Nuvi 350 3.5-Inch Portable GPS Navigator ... Garmin Nuvi 350 3.5-Inch Portable GPS Navigator Personal Travel Assistant Bundle ; Quantity. 1 available ; Item Number. 335116801632 ; Bundle Description. See ... Garmin nuvi 350 3.5-Inch Portable GPS Navigator ... Garmin nuvi 350 3.5-Inch Portable GPS Navigator (Old Model), B000BKJZ9Q, 753759053642, 0753759050443, 010-00455-00, US at camelcamelcamel: Amazon price ... Garmin Nuvi 350 The Garmin Nuvi 350 is a portable GPS navigator, traveler's reference, and digital entertainment system, all in one. Combined with detailed maps, the Nuvi ... Garmin nüvi 350 3.5-Inch Portable GPS Navigator - video ... The Garmin nüvi 350 is set to revolutionize what we



expect from a GPS navigation device, or from any device for that matter. Garmin nüvi 350 Review Nov 1, 2005 — Excellent GPS sensitivity and function coupled with new Travel Kit features make the nüvi 350 an excellent electronic travel companion. Garmin Nuvi 350: Insanely recommended Dec 7, 2005 — This system works vary well and was easy to setup. The GPS receiver connects to 12 satellite's and offers reasonably fast connections. It is ... Garmin Nuvi 350 GPS Units & Equipment Garmin nuvi 350 3.5-Inch Portable GPS Navigator. \$30.00 · Garmin nüvi nuvi 350 NA Automotive Portable GPS Receiver Only 3.5". \$9.00 · GARMIN NUVI 350 NA - GPS ... I Will Lift Up Mine Eyes - SATB - Naylor Original scriptural setting from Psalm 121:1-4, arranged for mixed chorus (SATB) and piano. ... Difficulty: Medium / medium-difficult acc. Performance time: 4:00. I Will Lift Up Mine Eyes I Will Lift Up Mine Eyes. A Cantata for Tenor Solo, S.A.T.B. Chorus, and Orchestra (Piano-Vocal Score). Adolphus Hailstork (composer), Anonymous (lyricist) ... I Will Lift Mine Eyes Unto the Hills (Psalm 121) ... Music Sample: CGB528 I Will Lift Mine Eyes Unto the Hills (Psalm 121) (Full Score). Description: This calm, meditative original composition directly ... I will lift up mine eyes - Sheet Music - John Rutter John Rutter. I will lift up mine eyes. Vocal score. Forces or Category: SATB & organ/orchestra. Orchestration: 2.2.2.2-2.0.0.0-timp(opt)-hp-str. I to the Hills Will Lift Mine Eyes (Psalm 121) I to the Hills Will Lift Mine Eyes (Psalm 121): from Tenebrae (III) (Full Score) - 8598A. \$17.00 ; I to the Hills Will Lift Mine Eyes (Psalm 121): from Tenebrae ... I Will Lift Up Mine Eyes Vocal Range: High ; Pitch Range: E4- F#5 ; Composer: Michael Head ; Text Source: Ps 121 ; Publisher: Carl Fischer ... John Tavener: I Will Lift Up Mine Eyes ... John Tavener: I Will Lift Up Mine Eyes Unto The Hills (Vocal Score). German Edition. John Tavener: I Will Lift Up Mine Eyes Unto The Hills (Vocal Score). I Will Lift My Eyes - Full Score and Parts Vocal Forces: SATB, Cantor, Solo, Assembly. Accompaniment: Keyboard. Guitar: Yes. Instrumental parts included: C Instrument, Flute I, Flute II, Oboe, ... I Will Lift up Mine Eyes - Marzo, Eduardo Jul 5, 2014 — Marzo, Eduardo - I Will Lift up Mine Eyes Psalm 121. Voice High and ... "For over 20 years we have provided legal access to free sheet music. I Will Lift Up Mine Eyes (Sowerby, Leo) [7 more...]For voice, mixed chorus, organ; Scores featuring the voice; Scores ... Note: I can only provide full works, not arrangements or individual movements.