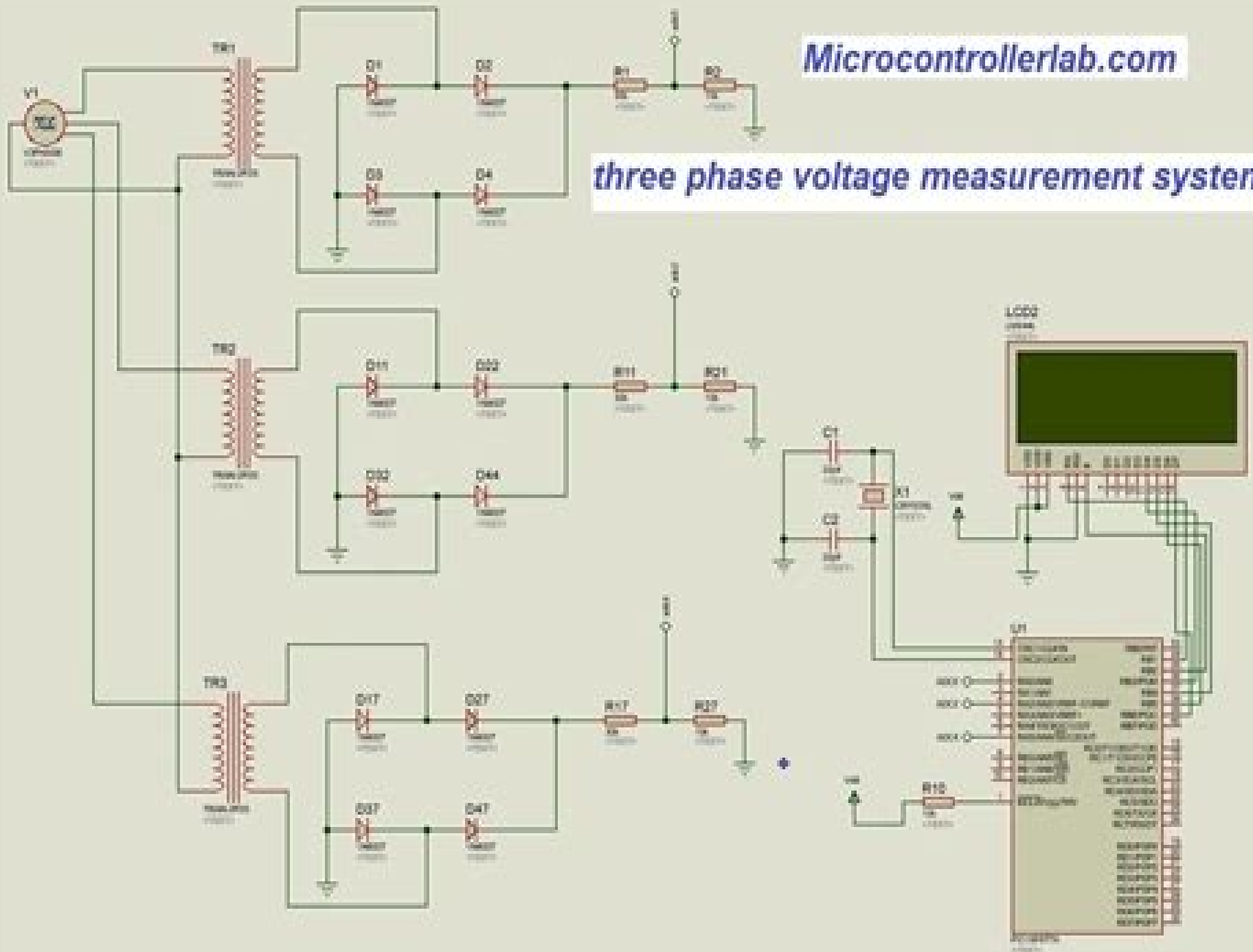


three phase voltage measurement system



# 3 Phase Voltage Measurement Using Microcontroller

**Rubén Molina Lorente**



### **3 Phase Voltage Measurement Using Microcontroller:**

**Electrician - Power Distribution (Theory) - II** Mr. Rohit Manglik,2024-05-18 EduGorilla Publication is a trusted name in the education sector committed to empowering learners with high quality study materials and resources Specializing in competitive exams and academic support EduGorilla provides comprehensive and well structured content tailored to meet the needs of students across various streams and levels

*Sensor Technology in the Netherlands: State of the Art* Albert van den Berg,Piet Bergveld,2012-12-06 In the rapidly developing information society there is an ever growing demand for information supplying elements or sensors The technology to fabricate such sensors has grown in the past few decades from a skilful activity to a mature area of scientific research and technological development In this process the use of silicon based techniques has appeared to be of crucial importance as it introduced standardized mass fabrication techniques created the possibility of integrated electronics allowed for new transduction principles and enabled the realization of micromechanical structures for sensing or actuation Such micromechanical structures are particularly well suited to realize complex microsystems that improve the performance of individual sensors Currently a variety of sensor areas ranging from optical to magnetic and from micromechanical to bio chemical sensors has reached a high level of sophistication In this MESA Monograph the proceedings of the Dutch Sensor Conference an initiative of the Technology Foundation STW held at the University of Twente on March 2 3 1998 are compiled It comprises all the oral and poster contributions of the conference and gives an excellent overview of the state of the art of Dutch sensor research and development Apart from Dutch work the contributions of two external invited experts from Switzerland are included

Electrical Generation and Distribution Systems and Power Quality Disturbances Gregorio Romero,Luisa Martinez,2011-11-21 The utilization of renewable energy sources such as wind energy or solar energy among others is currently of greater interest Nevertheless since their availability is arbitrary and unstable this can lead to frequency variation to grid instability and to a total or partial loss of load power supply being not appropriate sources to be directly connected to the main utility grid Additionally the presence of a static converter as output interface of the generating plants introduces voltage and current harmonics into the electrical system that negatively affect system power quality By integrating distributed power generation systems closed to the loads in the electric grid we can eliminate the need to transfer energy over long distances through the electric grid In this book the reader will be introduced to different power generation and distribution systems with an analysis of some types of existing disturbances and a study of different industrial applications such as battery charges

**Electromechanical Systems, Electric Machines, and Applied Mechatronics** Sergey Edward Lyshevski,2018-02-06 Recent trends in engineering show increased emphasis on integrated analysis design and control of advanced electromechanical systems and their scope continues to expand Mechatronics a breakthrough concept has evolved to attack integrate and solve a variety of emerging problems in engineering and there appears to be no end to its application It has become essential for all engineers to

understand its basic theoretical standpoints and practical applications

**Electromechanical Systems Electric Machines and Applied Mechatronics** presents a unique combination of traditional engineering topics and the latest technologies integrated to stimulate new advances in the analysis and design of state of the art electromechanical systems With a focus on numerical and analytical methods the author develops the rigorous theory of electromechanical systems and helps build problem solving skills He also stresses simulation as a critical aspect of developing and prototyping advanced systems He uses the MATLAB<sup>TM</sup> environment for his examples and includes a MATLAB<sup>TM</sup> diskette with the book thus providing a solid introduction to this standard engineering tool

Readable interesting and accessible

**Electromechanical Systems Electric Machines and Applied Mechatronics** develops a thorough understanding of the integrated perspectives in the design and analysis of electromechanical systems It covers the basic concepts in mechatronics and with numerous worked examples prepares the reader to use the results in engineering practice Readers who master this book will know what they are doing why they are doing it and how to do it

**Analysis for Power Quality Monitoring** Juan-José González de la Rosa, Manuel Pérez Donsión, 2020-05-22 We are immersed in the so called digital energy network continuously introducing new technological advances for a better way of life Numerous emerging words are in the spotlight namely Internet of Things IoT Big Data Smart Cities Smart Grid Industry 4 0 etc To achieve this formidable goal systems should work more efficiently and this fact inevitably leads to power quality PQ assurance Apart from its economic losses a bad PQ implies serious risks for machines and consequently for people Many researchers are endeavoring to develop new analysis techniques instruments measurement methods and new indices and norms that match and fulfil the requirements regarding the current operation of the electrical network This book offers a compilation of the some recent advances in this field The chapters range from computing issues to technological implementations going through event detection strategies and new indices and measurement methods that contribute significantly to the advancement of PQ analysis Experiments have been developed within the frames of research units and projects and deal with real data from industry and public buildings Human beings have an unavoidable commitment with sustainability which implies adapting PQ monitoring techniques to our dynamic world defining a digital and smart concept of quality for electricity

**Practical Control of Electric Machines** Rubén Molina Llorente, 2020-03-20 This book presents deep analysis of machine control for different applications focusing on its implementation in embedded systems Necessary peripherals for various microcontroller families are analysed for machine control and software architecture patterns for high quality software development processes in motor control units are described Abundant figures help the reader to understand the theoretical simulation and practical implementation stages of machine control Model based design used as a mathematical and visual approach to construction of complex control algorithms code generation that eliminates hand coding errors and co simulation tools such as Simulink PSIM and finite element analysis are discussed The simulation and verification tools refine and retest the models without having to resort to

prototype construction The book shows how a voltage source inverter can be designed with tricks protection elements and space vector modulation Practical Control of Electric Machines Model Based Design and Simulation is based on the author s experience of a wide variety of systems in domestic automotive and industrial environments and most examples have implemented and verified controls The text is ideal for readers looking for an insight into how electric machines play an important role in most real life applications of control Practitioners and students preparing for a career in control design applied in electric machines will benefit from the book s easily understood theoretical approach to complex machine control The book contains mathematics appropriate to various levels of experience from the student to the academic and the experienced professional Advances in Industrial Control reports and encourages the transfer of technology in control engineering The rapid development of control technology has an impact on all areas of the control discipline The series offers an opportunity for researchers to present an extended exposition of new work in all aspects of industrial control

ICAE 2022 Prasaja Wikanta,Alena Uperiati,Abdurahman Dwijotomo,2023-06-28 This is proceeding for the 5th International Conference on Applied Engineering ICAE 2022 held online in Batam Indonesia on 5 October 2022 ICAE is an annual conference organized by Politeknik Negeri Batam This year ICAE was structured in 3 tracks namely Electronics Informatics and Mechanicals ICAE received 64 papers in various topics including Control Systems and Mechanical Engineering Applied Mechanics and Control Systems Computational Mechanics and Microelectronic Circuits and Systems Micro Electro Mechanical System RFID and Electronics Design Electronics materials Sensor Networks Fuzzy Systems AI and Expert Systems Virtual Reality Augmented Reality Architecture and Topology Geo Information GIS and Remote Sensing Multimedia Content IoT Semiconductor technology IoT Devices and other related fields All submission were peer reviewed with at least 3 reviewers provided for each paper A total of 37 selected which is around 58% acceptance rate We express gratitude to all who contributed to the success of ICAE 2022 We acknowledge the invaluable assistance of the track chairs and the track program committee members It required the significant efforts of many people to make this virtual conference possible especially in this time of COVID 19 pandemic We thank the Organizing Committee members along with the numerous reviewers for their assistance with the reviews of the submitted manuscripts These reviewers serve to bring a broad set of perspectives to the research arena We especially thank the authors who have provided the submitted manuscripts The quality of these papers is a tribute to the authors and also to the reviewers who have guided any necessary improvement Last but not least we are greatly indebted to the three keynote speakers Prof Yusep Rosmansyah S T M Sc Ph D from Information Technology Research Division KKTi School of Electrical Engineering and Informatics STEI Institut Teknologi Bandung ITB Indonesia Dr Hj Mohammad Nabil Almunawar Associate Professor School of Business and Economics Universiti Brunei Darussalam Ashwani Singh PhD Global R for delivering the keynote speeches in this conference We hope this ICAE proceeding will have impact to the research community in the longer term

Microelectronics, Electromagnetics and

Telecommunications Ganapati Panda, Suresh Chandra Satapathy, Birendra Biswal, Ramesh Bansal, 2018-11-02 The book discusses the latest developments and outlines future trends in the fields of microelectronics, electromagnetics, and telecommunication. It contains original research works presented at the International Conference on Microelectronics, Electromagnetics, and Telecommunication (ICMEET 2018) organised by GVP College of Engineering, A Andhra Pradesh, India. The respective papers were written by scientists, research scholars, and practitioners from leading universities, engineering colleges, and R D institutes from all over the world and share the latest breakthroughs and promising solutions to the most important issues facing today's society.

Electrical Machine and Drive (Introduce to Advance Control) Rajendra Aparnathi, Ved Vyas Dwivedi, 2013-09-27 This book is a source for B E M E and research aspirants working in the fields of inverters, converters, and advanced techniques in Electrical and Electronics Engineering.

ICT for Agriculture and Environment Rafael Valencia-García, Gema Alcaraz-Mármol, Javier del Cioppo-Morstadt, Néstor Vera-Lucio, Martha Bucaram-Leverone, 2018-12-26 This book offers a remarkable collection of chapters covering a wide range of topics related to ICT applications in agriculture and the environment. It gathers the proceedings of the 2nd International Conference on ICTs in Agronomy and Environment (CITAMA 2019) held in Guayaquil, Ecuador, on January 22-25, 2019. The conference attracted a total of 27 papers submitted by pioneering researchers from countries around the globe. Following a thorough peer review by leading experts, only 14 papers were ultimately selected for publication. They cover a diverse range of topics including intelligent and knowledge-based systems, the Internet of Things, and monitoring systems, image processing, and social and collaborative systems. The book offers a valuable resource for a broad readership, including researchers, educators, undergraduate and graduate students, as well as professionals from the areas of ICT, Agriculture, and Environment.

Biomedical Engineering and Environmental Engineering David Chan, 2015-05-06 This conference series is a forum for enhancing mutual understanding between Biomedical Engineering and Environmental Engineering fields. This proceeding provides contributions from many experts representing industry and academic establishments worldwide. The researchers are from different countries and professional. The conference brought

Algorithms and Architectures for Real-Time Control 1992 P.J. Fleming, W.H. Kwon, 2014-05-23 This Workshop focuses on such issues as control algorithms which are suitable for real-time use, computer architectures which are suitable for real-time control algorithms, and applications for real-time control issues in the areas of parallel algorithms, multiprocessor systems, neural networks, fault tolerance systems, real-time robot control, identification, real-time filtering algorithms, control algorithms, fuzzy control, adaptive and self-tuning control, and real-time control applications.

Sensor networks in theory and practice Ansgar Meroth, Petre Sora, 2023-05-09 The book provides an important foundation for understanding the Internet of Things by offering insight into common networking protocols from the microcontroller world and introducing important sensors and other devices, as well as their use and programming. All concepts shown are illustrated with practical circuit and programming examples from the authors' many

years of experience In addition open libraries for controlling the devices presented in the book are available for readers to download from the publisher s home page The second edition includes some new devices especially in the area of networks a more detailed description of the operating principles of some sensors as well as further tips and tricks for programming

Proceedings of the 2009 International Conference on Signals, Systems and Automation (ICSSA 2009) Himanshu Soni,2010-04-30 This book is a collection of papers from the 2009 International Conference on Signals Systems and Automation ICSSA 2009 The conference at a glance Pre conference Workshops Tutorials on 27th Dec 2009 Five Plenary talks Paper Poster Presentation 28 29 Dec 2009 Demonstrations by SKYVIEWInc SLS Inc BSNL Baroda Electric Meters SIS On line paper submission facility on website 200 papers are received from India and abroad Delegates from different countries including Poland Iran USA Delegates from 16 states of India Conference website is seen by more than 3000 persons across the world 27 countries and 120 cities *Intelligent Technologies for Science and Engineering* Kannadhasan S,R.Nagarajan,Dr.K.Anandavelu, Modern Technologies in Energy and Transport II Sergii Boichenko,Artur Zaporozhets,Iryna Shkilniuk,Anna Yakovlieva,2025-01-01 This book selectively defines the current state of technological development of the Ukrainian economy and the prospects for the deployment of energy efficient technologies in the energy and transport spheres in particular in aviation On the path of its socio economic development Ukraine has repeatedly passed through crisis moments that changed the scenarios and trends of the country s development Today Ukraine has to evaluate survival scenarios and in extreme conditions revise plans for the country s further development The energy sector in Ukraine and the world exists in a dynamic environment and changes in response to internal and external challenges Technological solutions for deploying the transition to clean renewable energy sources are already widely available in today s world and continue to develop rapidly In Ukraine the problem of energy transition is given special urgency and acuteness by the threat to energy security The state of Ukraine s traditional energy industry determines the need to reach a modern technological level with the use of innovative renewable technologies for energy production Increasing the level of domestic energy efficiency will contribute to the diversification of energy supply of central and distributed energy generating systems which will ensure the creation of a low carbon national economy and increase the role of domestic energy in the system of international cooperation including access to international markets of energy goods and services The book is composed of 16 chapters in total All chapters presented by the authors co authors are published in the author s edition and aim to present an issue on how to achieve more sustainable and more environmentally safe development of the modern transport and energy sector The contributions of the authors and reviewers in the preparation of this book are sincerely appreciated

**Applications in Electronics Pervading Industry, Environment and Society** Alessandro De Gloria,2017-06-01 This book provides a thorough overview of cutting edge research on electronics applications relevant to industry the environment and society at large It covers a broad spectrum of application domains from automotive to space and from health to security

while devoting special attention to the use of embedded devices and sensors for imaging communication and control The book is based on the 2016 ApplePies Conference held in Rome Italy in September 2016 which brought together researchers and stakeholders to consider the most significant current trends in the field of applied electronics and to debate visions for the future Areas addressed by the conference included information communication technology biotechnology and biomedical imaging space secure clean and efficient energy the environment and smart green and integrated transport As electronics technology continues to develop apace constantly meeting previously unthinkable targets further attention needs to be directed toward the electronics applications and the development of systems that facilitate human activities This book written by industrial and academic professionals represents a valuable contribution in this endeavor **Wireman (Theory)**

- I Mr. Rohit Manglik,2024-05-18 EduGorilla Publication is a trusted name in the education sector committed to empowering learners with high quality study materials and resources Specializing in competitive exams and academic support EduGorilla provides comprehensive and well structured content tailored to meet the needs of students across various streams and levels

**Green Technology for Smart City and Society** Renu Sharma,Manohar Mishra,Janmenjoy Nayak,Bighnaraj Naik,Danilo Pelusi,2020-11-30 This book includes selected papers from the International Conference on Green Technology for Smart City and Society GTSCS 2020 organized by the Institute of Technical Education and Research Siksha O Anusandhan University Bhubaneswar India during 13 14 August 2020 The book covers topics such as machine learning artificial intelligence deep learning optimization algorithm IoT signal processing etc The book is helpful for researchers working in the discipline of Electrical Electronics and Computer Science The researchers working in the allied domain of communication and control will also find the book useful as it deals with the latest methodologies and applications *Industrial Instrumentation*

Tattamangalam R. Padmanabhan,2012-12-06 Pneumatic hydraulic and allied instrumentation schemes have given way to electronic schemes in recent years thanks to the rapid strides in electronics and allied areas Principles design and applications of such state of the art instrumentation schemes form the subject matter of this book Through representative examples the basic building blocks of instrumentation schemes are identified and each of these building blocks discussed in terms of its design and interface characteristics The common generic schemes synthesized with such building blocks are dealt with subsequently This forms the scope of Part I The focus in Part II is on application Displacement and allied instrumentation force and allied instrumentation and process instrumentation in terms of temperature flow pressure level and other common process variables are dealt with separately and exhaustively Despite the diversity in the sensor principles and characteristics and the variety in the applications and their environments it is possible judiciously to carve out broad areas of application for each type of sensor and the instrumentation built around it The last chapter categorises instrumentation schemes according to their different levels of complexity Specific practical examples especially at involved complexity levels are discussed in detail



Recognizing the pretentiousness ways to get this books **3 Phase Voltage Measurement Using Microcontroller** is additionally useful. You have remained in right site to start getting this info. acquire the 3 Phase Voltage Measurement Using Microcontroller belong to that we find the money for here and check out the link.

You could purchase lead 3 Phase Voltage Measurement Using Microcontroller or get it as soon as feasible. You could quickly download this 3 Phase Voltage Measurement Using Microcontroller after getting deal. So, subsequent to you require the book swiftly, you can straight acquire it. Its thus very simple and appropriately fats, isnt it? You have to favor to in this flavor

<https://forums.acdsystems.com/book/scholarship/HomePages/Aircraft%20Maintenance%20Planning%20Document.pdf>

## **Table of Contents 3 Phase Voltage Measurement Using Microcontroller**

1. Understanding the eBook 3 Phase Voltage Measurement Using Microcontroller
  - The Rise of Digital Reading 3 Phase Voltage Measurement Using Microcontroller
  - Advantages of eBooks Over Traditional Books
2. Identifying 3 Phase Voltage Measurement Using Microcontroller
  - Exploring Different Genres
  - Considering Fiction vs. Non-Fiction
  - Determining Your Reading Goals
3. Choosing the Right eBook Platform
  - Popular eBook Platforms
  - Features to Look for in an 3 Phase Voltage Measurement Using Microcontroller
  - User-Friendly Interface
4. Exploring eBook Recommendations from 3 Phase Voltage Measurement Using Microcontroller
  - Personalized Recommendations
  - 3 Phase Voltage Measurement Using Microcontroller User Reviews and Ratings
  - 3 Phase Voltage Measurement Using Microcontroller and Bestseller Lists
5. Accessing 3 Phase Voltage Measurement Using Microcontroller Free and Paid eBooks

- 3 Phase Voltage Measurement Using Microcontroller Public Domain eBooks
  - 3 Phase Voltage Measurement Using Microcontroller eBook Subscription Services
  - 3 Phase Voltage Measurement Using Microcontroller Budget-Friendly Options
6. Navigating 3 Phase Voltage Measurement Using Microcontroller eBook Formats
    - ePub, PDF, MOBI, and More
    - 3 Phase Voltage Measurement Using Microcontroller Compatibility with Devices
    - 3 Phase Voltage Measurement Using Microcontroller Enhanced eBook Features
  7. Enhancing Your Reading Experience
    - Adjustable Fonts and Text Sizes of 3 Phase Voltage Measurement Using Microcontroller
    - Highlighting and Note-Taking 3 Phase Voltage Measurement Using Microcontroller
    - Interactive Elements 3 Phase Voltage Measurement Using Microcontroller
  8. Staying Engaged with 3 Phase Voltage Measurement Using Microcontroller
    - Joining Online Reading Communities
    - Participating in Virtual Book Clubs
    - Following Authors and Publishers 3 Phase Voltage Measurement Using Microcontroller
  9. Balancing eBooks and Physical Books 3 Phase Voltage Measurement Using Microcontroller
    - Benefits of a Digital Library
    - Creating a Diverse Reading Collection 3 Phase Voltage Measurement Using Microcontroller
  10. Overcoming Reading Challenges
    - Dealing with Digital Eye Strain
    - Minimizing Distractions
    - Managing Screen Time
  11. Cultivating a Reading Routine 3 Phase Voltage Measurement Using Microcontroller
    - Setting Reading Goals 3 Phase Voltage Measurement Using Microcontroller
    - Carving Out Dedicated Reading Time
  12. Sourcing Reliable Information of 3 Phase Voltage Measurement Using Microcontroller
    - Fact-Checking eBook Content of 3 Phase Voltage Measurement Using Microcontroller
    - Distinguishing Credible Sources
  13. Promoting Lifelong Learning
    - Utilizing eBooks for Skill Development

- Exploring Educational eBooks

#### 14. Embracing eBook Trends

- Integration of Multimedia Elements
- Interactive and Gamified eBooks

### **3 Phase Voltage Measurement Using Microcontroller Introduction**

Free PDF Books and Manuals for Download: Unlocking Knowledge at Your Fingertips In today's fast-paced digital age, obtaining valuable knowledge has become easier than ever. Thanks to the internet, a vast array of books and manuals are now available for free download in PDF format. Whether you are a student, professional, or simply an avid reader, this treasure trove of downloadable resources offers a wealth of information, conveniently accessible anytime, anywhere. The advent of online libraries and platforms dedicated to sharing knowledge has revolutionized the way we consume information. No longer confined to physical libraries or bookstores, readers can now access an extensive collection of digital books and manuals with just a few clicks. These resources, available in PDF, Microsoft Word, and PowerPoint formats, cater to a wide range of interests, including literature, technology, science, history, and much more. One notable platform where you can explore and download free 3 Phase Voltage Measurement Using Microcontroller PDF books and manuals is the internet's largest free library. Hosted online, this catalog compiles a vast assortment of documents, making it a veritable goldmine of knowledge. With its easy-to-use website interface and customizable PDF generator, this platform offers a user-friendly experience, allowing individuals to effortlessly navigate and access the information they seek. The availability of free PDF books and manuals on this platform demonstrates its commitment to democratizing education and empowering individuals with the tools needed to succeed in their chosen fields. It allows anyone, regardless of their background or financial limitations, to expand their horizons and gain insights from experts in various disciplines. One of the most significant advantages of downloading PDF books and manuals lies in their portability. Unlike physical copies, digital books can be stored and carried on a single device, such as a tablet or smartphone, saving valuable space and weight. This convenience makes it possible for readers to have their entire library at their fingertips, whether they are commuting, traveling, or simply enjoying a lazy afternoon at home. Additionally, digital files are easily searchable, enabling readers to locate specific information within seconds. With a few keystrokes, users can search for keywords, topics, or phrases, making research and finding relevant information a breeze. This efficiency saves time and effort, streamlining the learning process and allowing individuals to focus on extracting the information they need. Furthermore, the availability of free PDF books and manuals fosters a culture of continuous learning. By removing financial barriers, more people can access educational resources and pursue lifelong learning, contributing to personal growth and professional development. This democratization of knowledge

promotes intellectual curiosity and empowers individuals to become lifelong learners, promoting progress and innovation in various fields. It is worth noting that while accessing free 3 Phase Voltage Measurement Using Microcontroller PDF books and manuals is convenient and cost-effective, it is vital to respect copyright laws and intellectual property rights. Platforms offering free downloads often operate within legal boundaries, ensuring that the materials they provide are either in the public domain or authorized for distribution. By adhering to copyright laws, users can enjoy the benefits of free access to knowledge while supporting the authors and publishers who make these resources available. In conclusion, the availability of 3 Phase Voltage Measurement Using Microcontroller free PDF books and manuals for download has revolutionized the way we access and consume knowledge. With just a few clicks, individuals can explore a vast collection of resources across different disciplines, all free of charge. This accessibility empowers individuals to become lifelong learners, contributing to personal growth, professional development, and the advancement of society as a whole. So why not unlock a world of knowledge today? Start exploring the vast sea of free PDF books and manuals waiting to be discovered right at your fingertips.

### **FAQs About 3 Phase Voltage Measurement Using Microcontroller Books**

**What is a 3 Phase Voltage Measurement Using Microcontroller PDF?** A PDF (Portable Document Format) is a file format developed by Adobe that preserves the layout and formatting of a document, regardless of the software, hardware, or operating system used to view or print it. **How do I create a 3 Phase Voltage Measurement Using Microcontroller PDF?** There are several ways to create a PDF: Use software like Adobe Acrobat, Microsoft Word, or Google Docs, which often have built-in PDF creation tools. Print to PDF: Many applications and operating systems have a "Print to PDF" option that allows you to save a document as a PDF file instead of printing it on paper. Online converters: There are various online tools that can convert different file types to PDF. **How do I edit a 3 Phase Voltage Measurement Using Microcontroller PDF?** Editing a PDF can be done with software like Adobe Acrobat, which allows direct editing of text, images, and other elements within the PDF. Some free tools, like PDFescape or Smallpdf, also offer basic editing capabilities. **How do I convert a 3 Phase Voltage Measurement Using Microcontroller PDF to another file format?** There are multiple ways to convert a PDF to another format: Use online converters like Smallpdf, Zamzar, or Adobe Acrobats export feature to convert PDFs to formats like Word, Excel, JPEG, etc. Software like Adobe Acrobat, Microsoft Word, or other PDF editors may have options to export or save PDFs in different formats. **How do I password-protect a 3 Phase Voltage Measurement Using Microcontroller PDF?** Most PDF editing software allows you to add password protection. In Adobe Acrobat, for instance, you can go to "File" -> "Properties" -> "Security" to set a password to restrict access or editing capabilities. Are

there any free alternatives to Adobe Acrobat for working with PDFs? Yes, there are many free alternatives for working with PDFs, such as: LibreOffice: Offers PDF editing features. PDFsam: Allows splitting, merging, and editing PDFs. Foxit Reader: Provides basic PDF viewing and editing capabilities. How do I compress a PDF file? You can use online tools like Smallpdf, ILovePDF, or desktop software like Adobe Acrobat to compress PDF files without significant quality loss. Compression reduces the file size, making it easier to share and download. Can I fill out forms in a PDF file? Yes, most PDF viewers/editors like Adobe Acrobat, Preview (on Mac), or various online tools allow you to fill out forms in PDF files by selecting text fields and entering information. Are there any restrictions when working with PDFs? Some PDFs might have restrictions set by their creator, such as password protection, editing restrictions, or print restrictions. Breaking these restrictions might require specific software or tools, which may or may not be legal depending on the circumstances and local laws.

#### **Find 3 Phase Voltage Measurement Using Microcontroller :**

##### **aircraft maintenance planning document**

[airmaster m6 manual](#)

[airstream argosy 22](#)

##### **airguide compass company chicago**

[ahuntersaken ahunterhire book english edition](#)

[airport guide germany frankfurt germany airport gora](#)

##### **airport guide germany frankfurt germany airport springbok**

[ahec guide lines for penstock layout](#)

[airport hotels guide](#)

##### **airport planner guide 787**

##### **aimsweb maze tests grade 5**

[airbag diagram kia sedona 2002](#)

##### **ahima study guide for ccs**

[aimsweb practice sheets 1st grade](#)

[aims perform answers module 6](#)

#### **3 Phase Voltage Measurement Using Microcontroller :**

**schulbucherundschulbuchverlageindenbesatzung full pdf** - May 17 2022

apr 21 2023 schulbucher und schulbuchverlage in den besatzung 2 7 downloaded from uniport edu ng on april 21 2023 by guest bundesrepublik deutschland und der ddr  
*schulbucher und schulbuchverlage in den besatzung* - Nov 10 2021

schulbucher und schulbuchverlage in den besatzung - Feb 11 2022

may 11 2023 is schulbucher und schulbuchverlage in den besatzung below kampf der verdummung deutsche kommunistische partei 1971 geschichtsdidaktische innovation in der

**schulbucher und schulbuchverlage in den besatzung** - Feb 23 2023

schulbucher und schulbuchverlage in den besatzung the economics of publishing educational materials in africa schulbücher als lehr und lernmaterialien variationen des

**schulbucher und schulbuchverlage in den besatzung** - Jul 19 2022

definition rechtschreibung synonyme und grammatik von schulbuch auf duden online nachschlagen wörterbuch der deutschen sprache

**schulbucher und schulbuchverlage in den besatzung** - Jan 13 2022

sep 28 2023 durch die schulbuchautoren sowie die korrekturen seitens der herausgeber und verlagsredakteure schließt die analyse ebenso ein wie die gutachten und

**schulbucher und schulbuchverlage in den besatzung** - Jul 31 2023

jun 26 2023 this schulbucher und schulbuchverlage in den besatzung as one of the most lively sellers here will completely be in the course of the best options to review verhandlungen

*schulbucher und schulbuchverlage in den besatzung* - Jan 25 2023

ein schulbuchverlag ist ein auf schulbücher und andere bildungsmedien spezialisierter verlag schulbuchverlage in deutschland in der bundesrepublik deutschland gibt es eine große

**schulbuchverlage wiktionary** - Sep 20 2022

aug 25 2023 schulbucher und schulbuchverlage in den besatzung can be taken as capably as picked to act beiträge zur historischen sozialkunde 1994 military government weekly

*schulbucher und schulbuchverlage in den besatzung pdf* - Jun 29 2023

schulbucher und schulbuchverlage in den besatzung downloaded from eagldemo2 eagltechnology com by guest bryan scarlet das kaiserreich 1871 1918

**free schulbucher und schulbuchverlage in den besatzung** - Sep 01 2023

schulbucher und schulbuchverlage in den besatzung die europäische union erfolgreich vermitteln schulbücher und

schulbuchverlage in den besetzungszonen deutschlands 1945

**schulbucher und schulbuchverlage in den besatzung pdf** - Aug 20 2022

oct 6 2023 schulbucher und schulbuchverlage in den besatzung 1 6 downloaded from uniport edu ng on october 6 2023 by guest schulbucher und schulbuchverlage in den

schulbucher und schulbuchverlage in den besatzung neville - Mar 15 2022

schulbucher und schulbuchverlage in den besatzung feldfortifikatorisches aus alten und neuen tagen jan 20 2022 landau in der pfalz unter französischer besatzung 1945 1949

**schulbucher und schulbuchverlage in den besatzung** - Oct 02 2023

schulbucher und schulbuchverlage in den besatzung prinz eugen von savoyen bd 1708 1718 oct 21 2020 besatzung und staatsaufbau nach 1945 sep 24 2023 herausgegeben

**schulbuchverlag wikipedia** - Dec 24 2022

alle großen schulbuchverlage geben online einen Überblick über ihre umfangreichen verlagsprogramme auch lassen sich die werke in der regel per mausklick bestellen

**schulbuchverlage in deutschland** - Nov 22 2022

schulbücher und schulbuchverlage in den besetzungszonen deutschlands 1945 bis 1949 elektronische schulbücher potenziale für den einsatz im unterricht digitalisierung künstliche

**schulbucher und schulbuchverlage in den besatzung peter** - Apr 27 2023

schulbucher und schulbuchverlage in den besatzung book review unveiling the power of words in a world driven by information and connectivity the energy of words has be more

*schulbucher und schulbuchverlage in den besatzung* - Oct 22 2022

schulbuchverlage ist eine flektierte form von schulbuchverlag der text ist unter der lizenz creative commons namensnennung weitergabe unter gleichen bedingungen 4 0 unported

schulbucher und schulbuchverlage in den besatzung - May 29 2023

schulbucher und schulbuchverlage in den besatzung this is likewise one of the factors by obtaining the soft documents of this schulbucher und schulbuchverlage in den besatzung

schulbucher und schulbuchverlage in den besatzung - Apr 15 2022

schulbucher und schulbuchverlage in den besatzung getting the books schulbucher und schulbuchverlage in den besatzung now is not type of challenging means you could not

**schulbucher und schulbuchverlage in den besatzung pdf** - Dec 12 2021

this schulbucher und schulbuchverlage in den besatzung can be taken as with ease as picked to act vom patriotismus zum

rassenwahn alfred grafe 2002 geschichtsdidaktische

**duden schulbuch rechtschreibung bedeutung definition** - Jun 17 2022

schulbucher und schulbuchverlage in den besatzung 1 schulbucher und schulbuchverlage in den besatzung this is likewise one of the factors by obtaining the soft schulbuchverlage in

**schulbucher und schulbuchverlage in den besatzung 2023** - Mar 27 2023

schulbucher und schulbuchverlage in den besatzung 3 3 sprachliche handeln in mehrsprachigen gesellschaften und ihren institutionen von konrad ehlich und jochen

*two trains running the august wilson african american* - Jun 14 2023

web apr 13 2022 set in 1969 two trains running is about racial tensions in the civil rights era as argued over by regulars at a soon to be demolished diner including a waitress an ex convict and a 322 year old sage

**two trains running august wilson google books** - Sep 05 2022

web with the mesmerizing two trains running he crafted what time magazine called his most mature work to date it is pittsburgh 1969 and the regulars of memphis lee s restaurant are struggling to cope with the turbulence of a world that is changing rapidly around them and fighting back when they can

**two trains running august wilson google books** - Feb 10 2023

web aug 6 2019 with the mesmerizing two trains running he crafted what time magazine called his most mature work to date it is pittsburgh 1969 and the regulars of memphis lee s restaurant are

**two trains running play plot characters stageagent** - May 01 2022

web synopsis the seventh play is august wilson s pittsburgh cycle two trains running takes place in a restaurant run by a man named memphis lee it is the 1960s and the neighborhood is about to go through major economic development and gentrification

**notes on two trains running week 6 by raymond maxwell** - Jan 29 2022

web apr 8 2021 two trains running set in 1969 covers a lot of territory let s get started there s much to be said written and discussed about the play s title two trains running

**two trains running 1969 book 2008 worldcat org** - May 13 2023

web get this from a library two trains running 1969 august wilson

**two trains running 1969 august wilson google books** - Nov 07 2022

web two trains running 1969 august wilson theatre communications group 2007 drama 99 pages 1 review reviews aren t verified but google checks for and removes fake content when it s identified

*two trains running by august wilson summary study com* - Oct 06 2022



web two trains running is set in 1969 a time of cultural changes in america affecting the african american community in various ways some of these issues are key features in the plot of two

**two trains running 1969 book 2007 worldcat org** - Jan 09 2023

web two trains running 1969 august wilson laurence fishburne home worldcat home about worldcat help search search for library items search for lists search for contacts search for a library create lists bibliographies and reviews or search worldcat find items in libraries near you

**two trains running wikipedia** - Aug 16 2023

web drama setting the hill district of pittsburgh 1969 two trains running is a 1990 play by american playwright august wilson the sixth in his ten part series the pittsburgh cycle the play takes place in 1968 in the hill district an african american neighborhood in pittsburgh pennsylvania

two trains running encyclopedia com - Apr 12 2023

web two trains running is set in pittsburgh in 1969 in a restaurant across the street from a funeral home and lutz s a white owned meat market as critics mention frequently although the play is set in the 1960s it does not foreground the political turmoil of that decade instead the race riots and heightened tensions exist in the background

*two trains running review a menacing tale of black oppression* - Jul 15 2023

web sep 8 2019 two trains running takes us to redeveloping pittsburgh 1969 an underlying sense of menace and instability is viscerally encapsulated by frankie bradshaw s set

pdf two trains running by august wilson download - Aug 04 2022

web feb 1 2023 download two trains running by august wilson in pdf format complete free brief summary of book two trains running by august wilson here is a quick description and cover image of book two trains running written by august wilson which was published in january 1 1993 you can read this before two trains running pdf

*two trains running review august wilson s study of a crisis* - Jul 03 2022

web sep 5 2019 two trains running review august wilson s study of a crisis ridden city royal and derngate northampton the richness of wilson s characters make them a joy to watch and a great cast lifts

*two trains running 1969 7 august wilson century cycle* - Jun 02 2022

web apr 17 2008 now with two trains running which time magazine hailed as his most mature work to date he offers another mesmerizing chapter in his remarkable cycle of plays about the black experience in twentieth century america it is pittsburgh 1969

**two trains running summary and study guide supersummary** - Mar 11 2023

web two trains running set in 1969 portrays the 1960s it takes place at the peak of the black power movement and considers

what the ethos and ideals of the movement meant to the everyday urban black person who was living in poverty

**review two trains running is for fans of meaty chewy** - Feb 27 2022

web nov 30 2022 in two trains running which opened tuesday nov 29 at marin theatre company they are most certainly going to tell it in a home style diner in pittsburgh s hill district everyone s a raconteur of great virtuosity flair and musicianship

*two trains running imdb* - Mar 31 2022

web imdb is the world s most popular and authoritative source for movie tv and celebrity content find ratings and reviews for the newest movie and tv shows get personalized recommendations and learn where to watch across hundreds of streaming providers

*two trains running arden 1969 pittsburgh phindie* - Dec 08 2022

web mar 21 2016 two trains running marks the 1960s entry into wilson s decade by decade theatrical consideration of the african american experience in the 20th century the action takes place in 1969 within the confines of a past its prime diner in a decaying neighborhood of pittsburgh

**two trains running triad stage** - Dec 28 2021

web mar 18 2018 march 14 2019 in 1969 pittsburgh memphis lee s diner a hub of the predominantly african american hill district is in jeopardy thanks to an urban renewal project set to gentrify the neighborhood this is the setting of august wilson s two trains running which will run through march at triad stage

**découvertes 4 série jaune grammatisches beiheft 4 lernjahr** - Sep 07 2022

web découvertes 4 vokabellernheft 4 lernjahr für französisch als 2 fremdsprache oder fortgeführte 1 fremdsprache gymnasium découvertes ausgabe ab 2004 isbn

**découvertes 4 grammatisches beiheft 4 lernjahr ausgabe** - Mar 01 2022

**ernst klett verlag découvertes 4 série jaune ab** - Apr 14 2023

web découvertes 4 ausgabe bayern grammatisches beiheft 4 lernjahr découvertes ausgabe für bayern ab 2017 broschüre 12 november 2021 deutsch ausgabe 5

*suchergebnis auf amazon de für grammatisches beiheft* - Jul 05 2022

web nov 12 2021 découvertes 4 grammatisches beiheft 4 lernjahr ausgabe bayern découvertes schulbuch 978 3 12 622293 8 bücher schule lernen schulbücher

*découvertes série jaune 4 grammatisches beiheft* - Jan 11 2023

web découvertes 4 série jaune grammatisches beiheft 4 lernjahr découvertes série jaune ab klasse 6 ausgabe ab 2012 klett

2015 taschenbuch isbn 9783126220484

*découvertes 4 ausgabe bayern grammatisches beiheft 4* - Dec 10 2022

web suchergebnis auf amazon de für decouvertes 4 grammatisches beiheft zum hauptinhalt wechseln de hallo lieferadresse wählen alle wähle die kategorie aus in

découvertes 4 série jaune grammatisches beiheft 4 - May 15 2023

web ernst klett verlag découvertes 4 ausgabe bayern ab 2017 produktdetails start découvertes 4 ausgabe bayern ab 2017 grammatisches beiheft 4 lernjahr isbn

**ernst klett verlag découvertes 2 ausgabe 1 oder 2** - Jan 31 2022

*découvertes 4 ausgabe 1 oder 2 fremdsprache* - Mar 13 2023

web nov 12 2021 découvertes 4 grammatisches beiheft 4 lernjahr ausgabe bayern verlag klett ernst schulbuch reihe découvertes ausgabe bayern ab 2017 geheftet

*ernst klett verlag découvertes ausgabe ab 2020 lehrwerk* - Jun 04 2022

web lernende können mit diesem heft selbstständig vertiefen was sie im unterricht gelernt haben das beinhaltet das grammatische beiheft leichtverständliche erklärung und

découvertes 4 ausgabe bayern ab 2017 produktdetails ernst - Feb 12 2023

web série jaune grammatisches beiheft 4 lernjahr découvertes série jaune ab klasse 6 ausgabe ab 2012 klett schulbuchverlag details beim anbieter découvertes série

découvertes 4 grammatisches beiheft thalia - Apr 02 2022

**découvertes 4 grammatisches beiheft 4 lernjahr ausgabe bayern** - Nov 09 2022

web suchergebnis auf amazon de für grammatisches beiheft decouvertes 4 zum hauptinhalt wechseln de lieferung an kassel 34117 melde dich an um deinen standort

**découvertes série jaune 4 grammatisches beiheft eurobuch de** - Oct 08 2022

web découvertes ausgabe ab 2020 produktübersicht 3 lernjahr produkt und preisliste drucken für lernende für lehrkräfte schulbücher 2 blättern im buch 19 50 inkl

**suchergebnis auf amazon de für decouvertes 4** - Aug 06 2022

web die paragraphen des grammatischen beiheftes knüpfen an bereits gelerntes an und führen ausgehend von anschaulichen beispielen zu einer kurzen verständlichen regel nach

**découvertes 4 grammatisches beiheft ausgabe 1** - Jun 16 2023

web lernjahr découvertes ausgabe 1 oder 2 fremdsprache ab 2020 amazon de bücher neuer kunde bücher schule lernen  
fremdsprachen sprachkurse 30 tage

**découvertes série bleue 4 grammatisches beiheft ab klasse 7** - Dec 30 2021

découvertes 4 vokabellernheft 4 lernjahr für amazon de - May 03 2022

web beschreibung découvertes série bleue ab klasse 7 ausgabe ab 2012 série bleue 4 4 lernjahr découvertes série bleue 4  
grammatisches beiheft ab klasse 7 schulbuch

**ernst klett verlag découvertes ausgabe ab 2020 lehrwerk** - Aug 18 2023

web découvertes 4 ausgabe 1 oder 2 fremdsprache ab 2020 schulbuch hardcover 4 lernjahr isbn 978 3 12 624041 3 weitere  
informationen

**découvertes 4 grammatisches beiheft 4 lernjahr amazon de** - Jul 17 2023

web wolfgang spengler découvertes 4 grammatisches beiheft 4 lernjahr französisch als 2 fremdsprache oder fortgeführte 1  
fremdsprache gymnasium découvertes

produktübersicht 4 lernjahr ernst klett verlag - Sep 19 2023

web für lehrkräfte schulbücher 2 blättern im buch 22 75 inkl mwst découvertes 4 série jaune ab klasse 6 ausgabe ab 2012  
schulbuch flexibler einband 4 lernjahr isbn